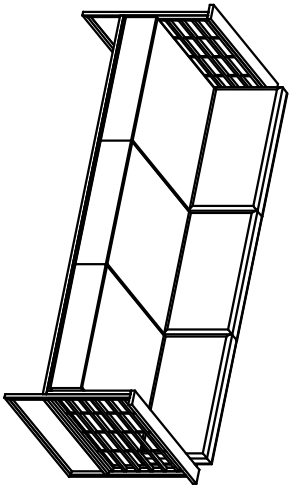
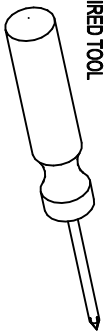


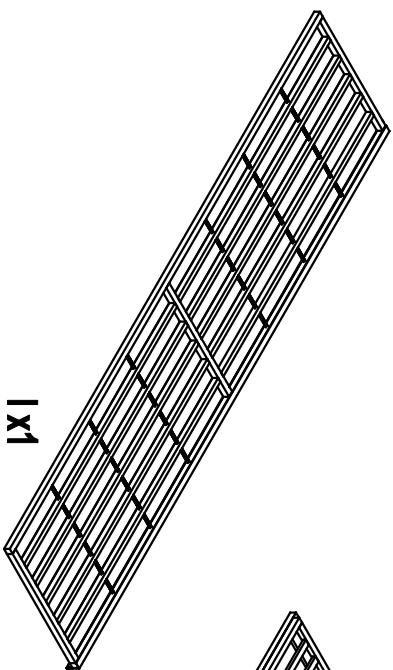
ASSEMBLY INSTRUCTION



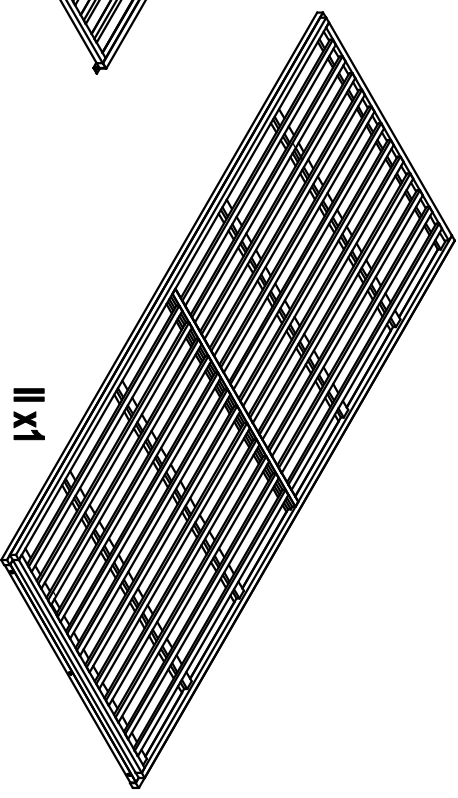
REQUIRED TOOL:



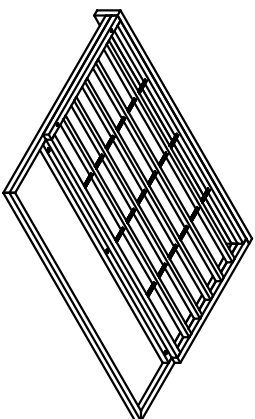
No.		Qty.
A	6x20x13mm	4
B	6x35x13mm	6
C	Ø6/16x1mm	10
D	6x30x13mm	6
E	4x15x8mm	2
F	Ø5/12x1mm	2
G	A4	2



I x1



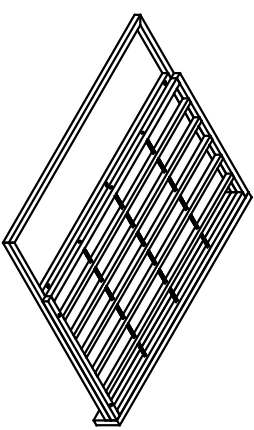
II x1



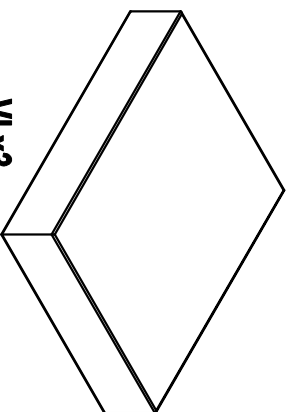
III x1



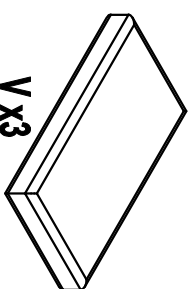
VII x2



IV x1



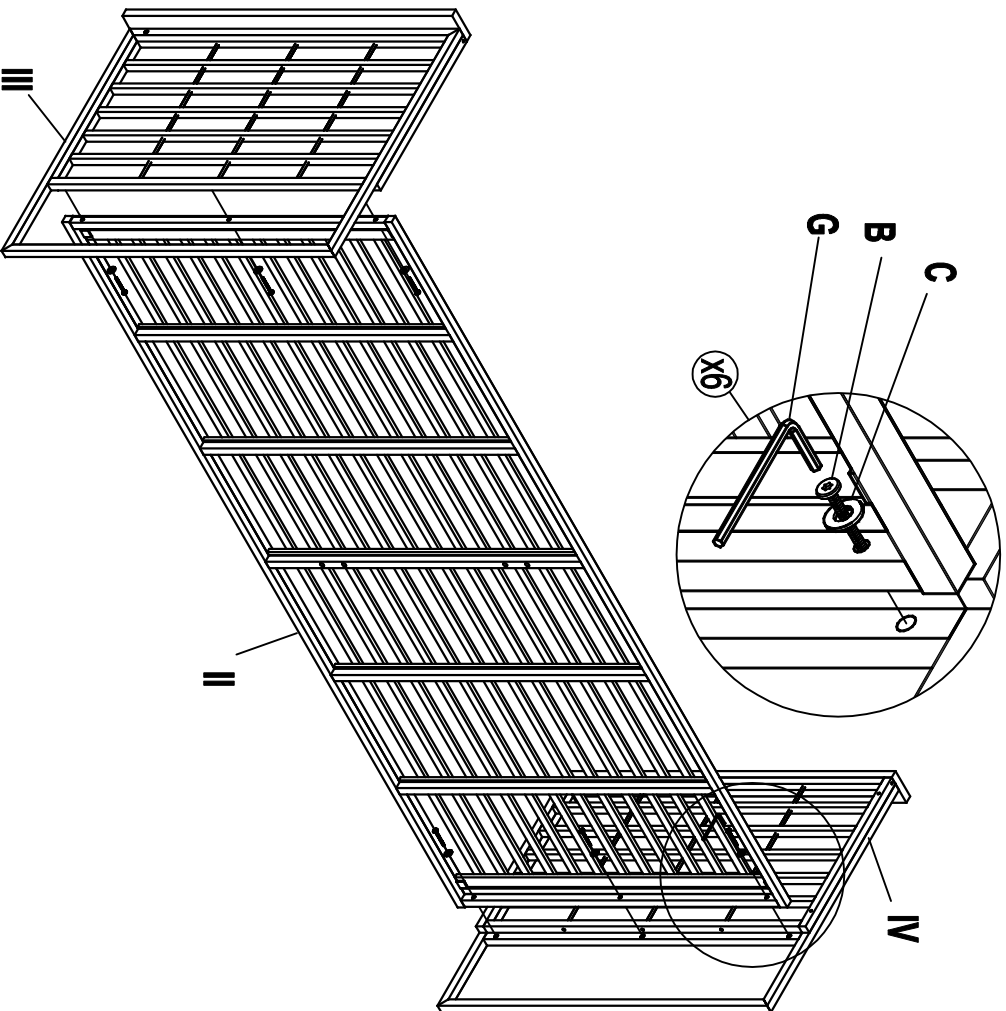
VI x3



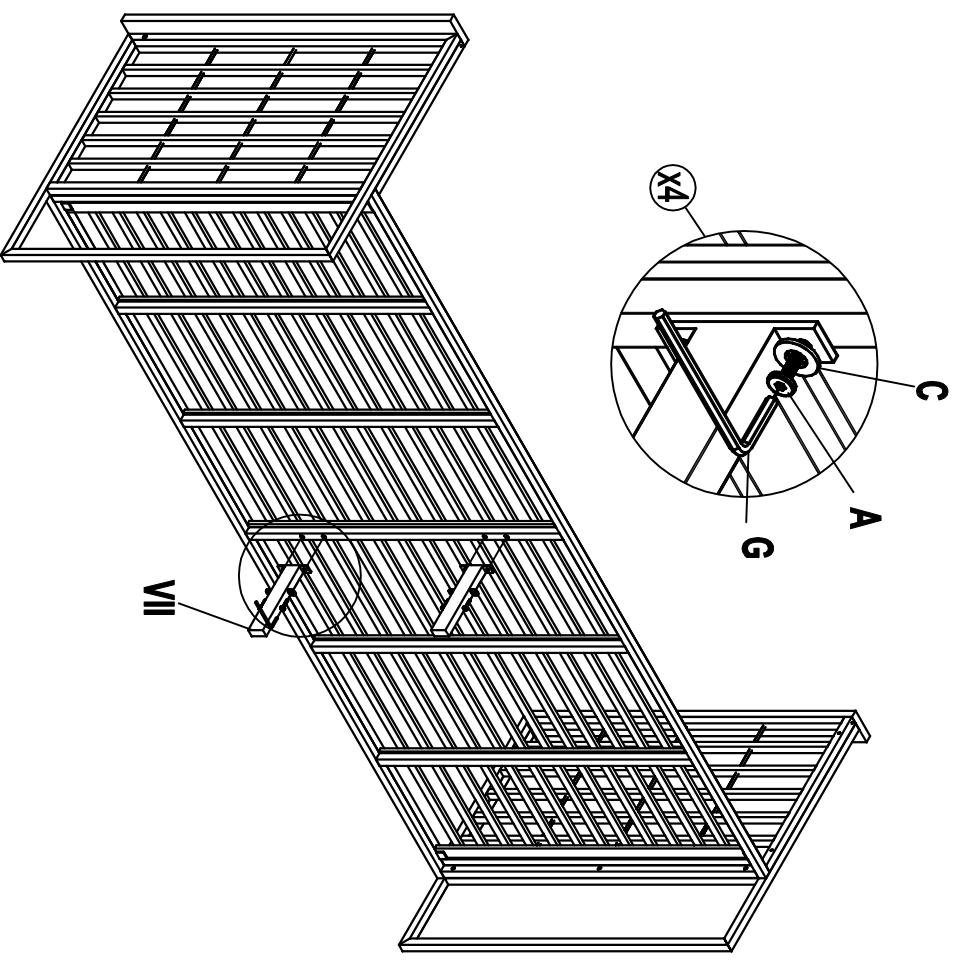
V x3

ASSEMBLY INSTRUCTION

Step 1

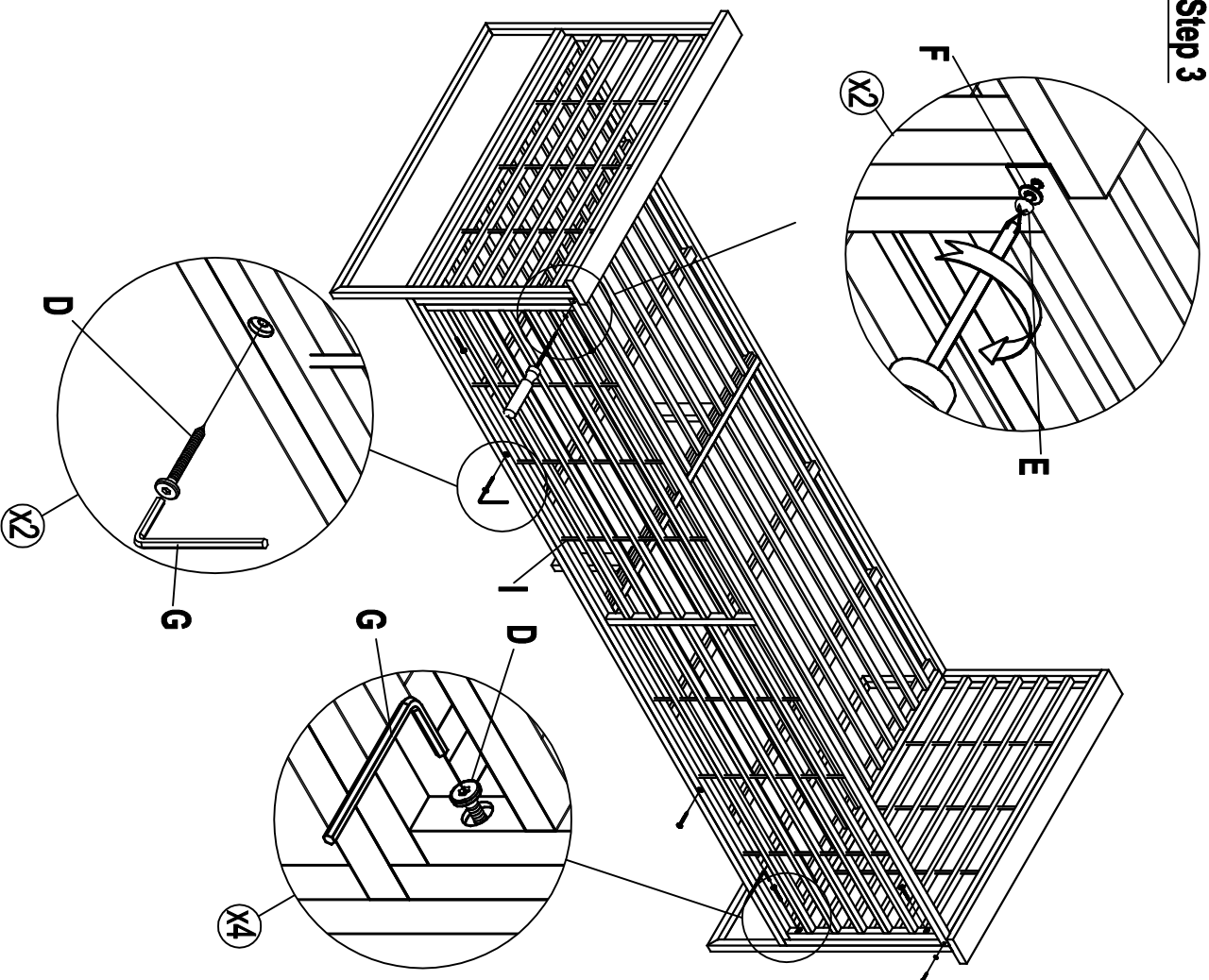


Step 2



ASSEMBLY INSTRUCTION

Step 3



Step 4

