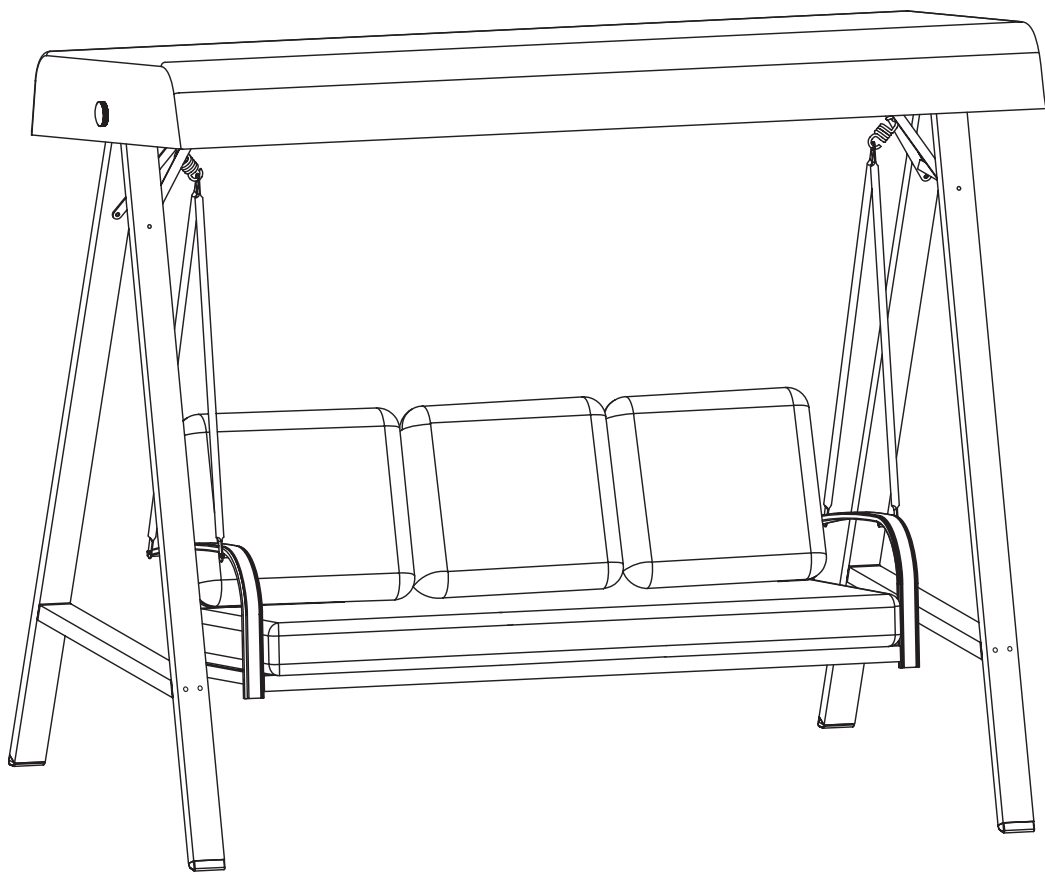
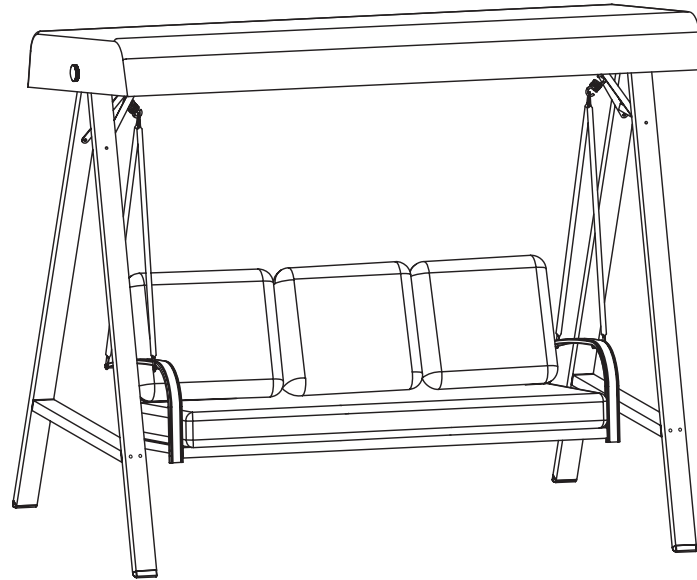




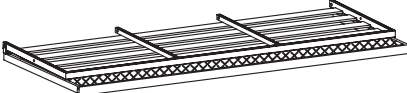







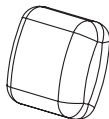



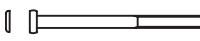

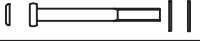
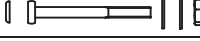

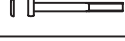
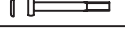



GSS00213C



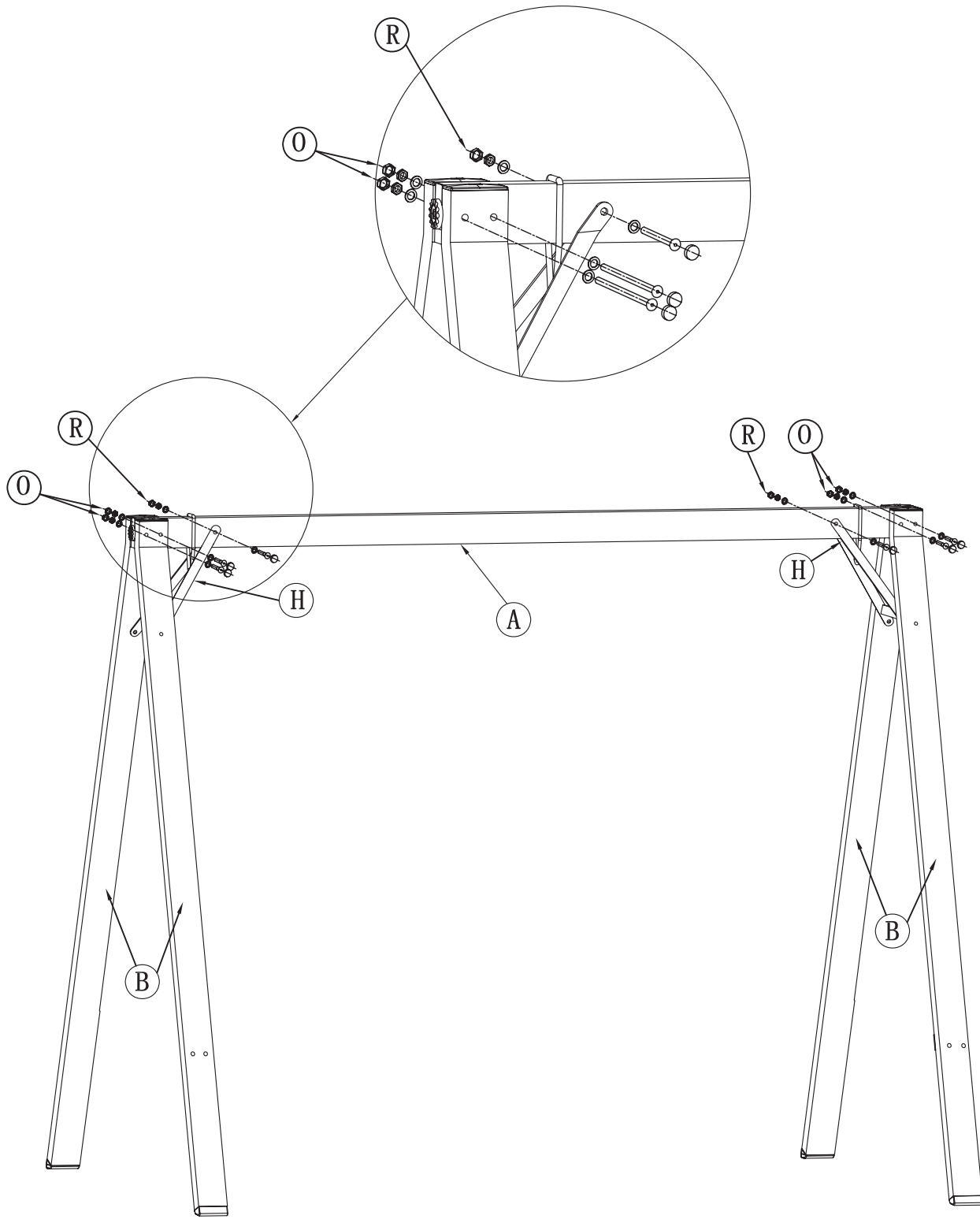


A		1
B		4
C		2
D		2
E		1
F		2
G		2
H		2
I		1
J		2

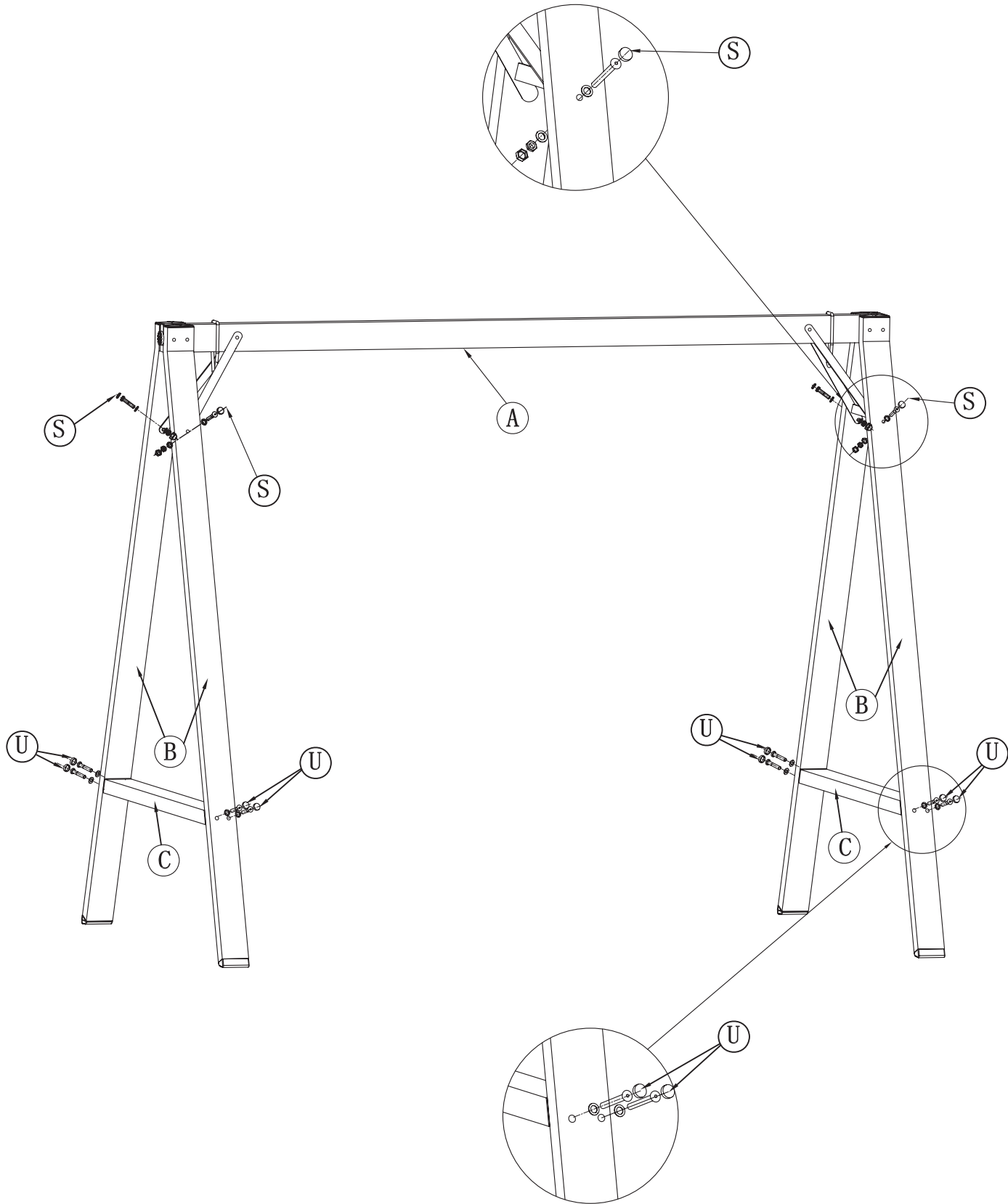
K		2
L		2
M		3
N		1

O		M8X130	4
P		M8X80	2
Q		M8X65	2
R		M8X60	2
S		M8X55	4
T		M6X60	4
U		M6X50	8
V		M6X15	4
W			1
X			1

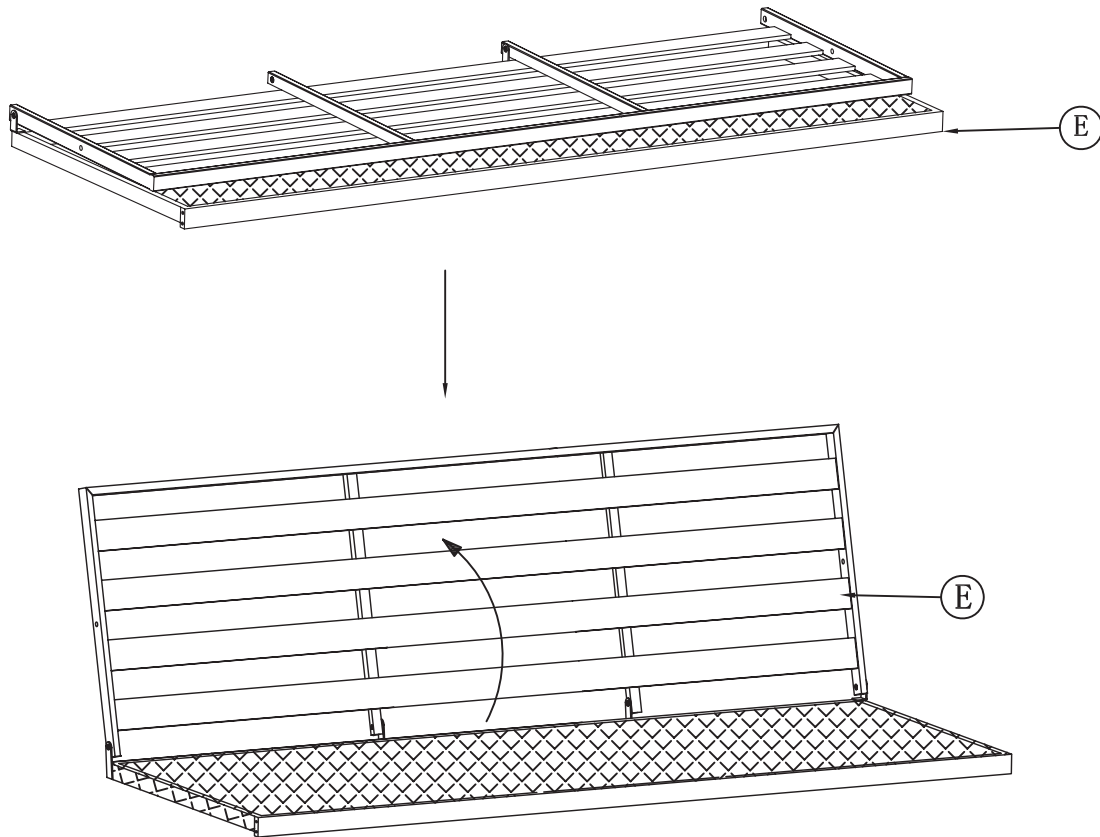
step1



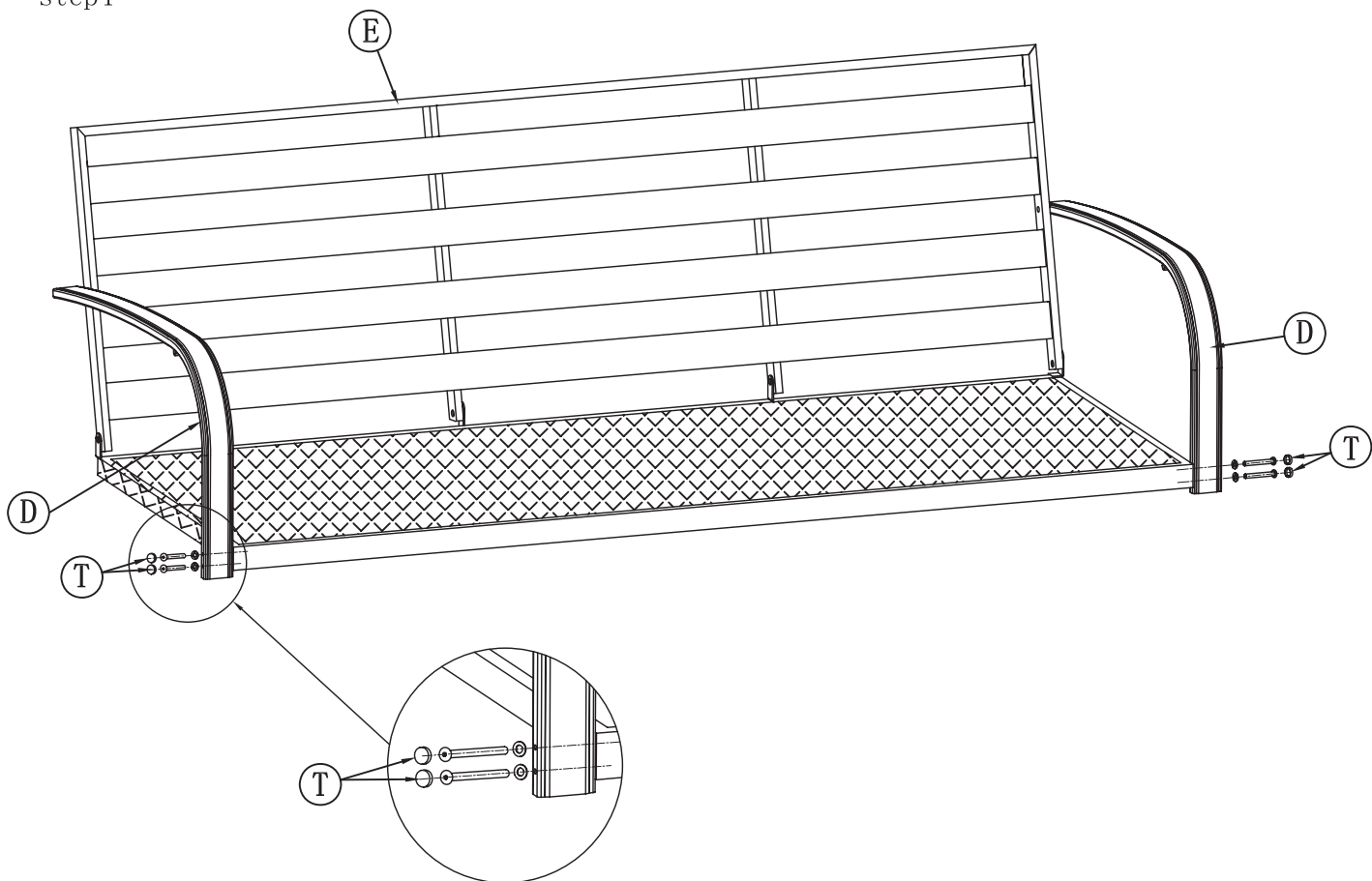
step2



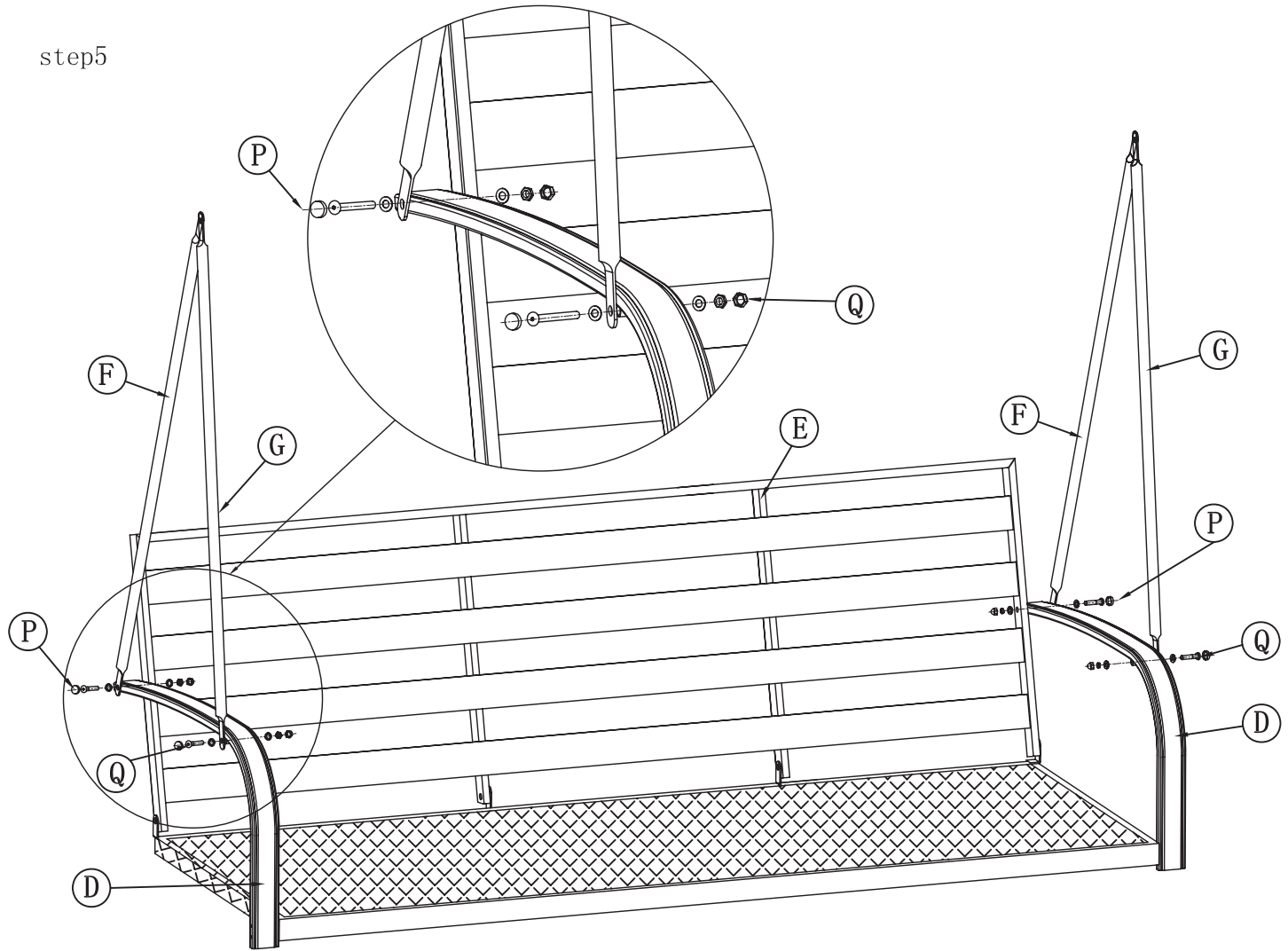
step3



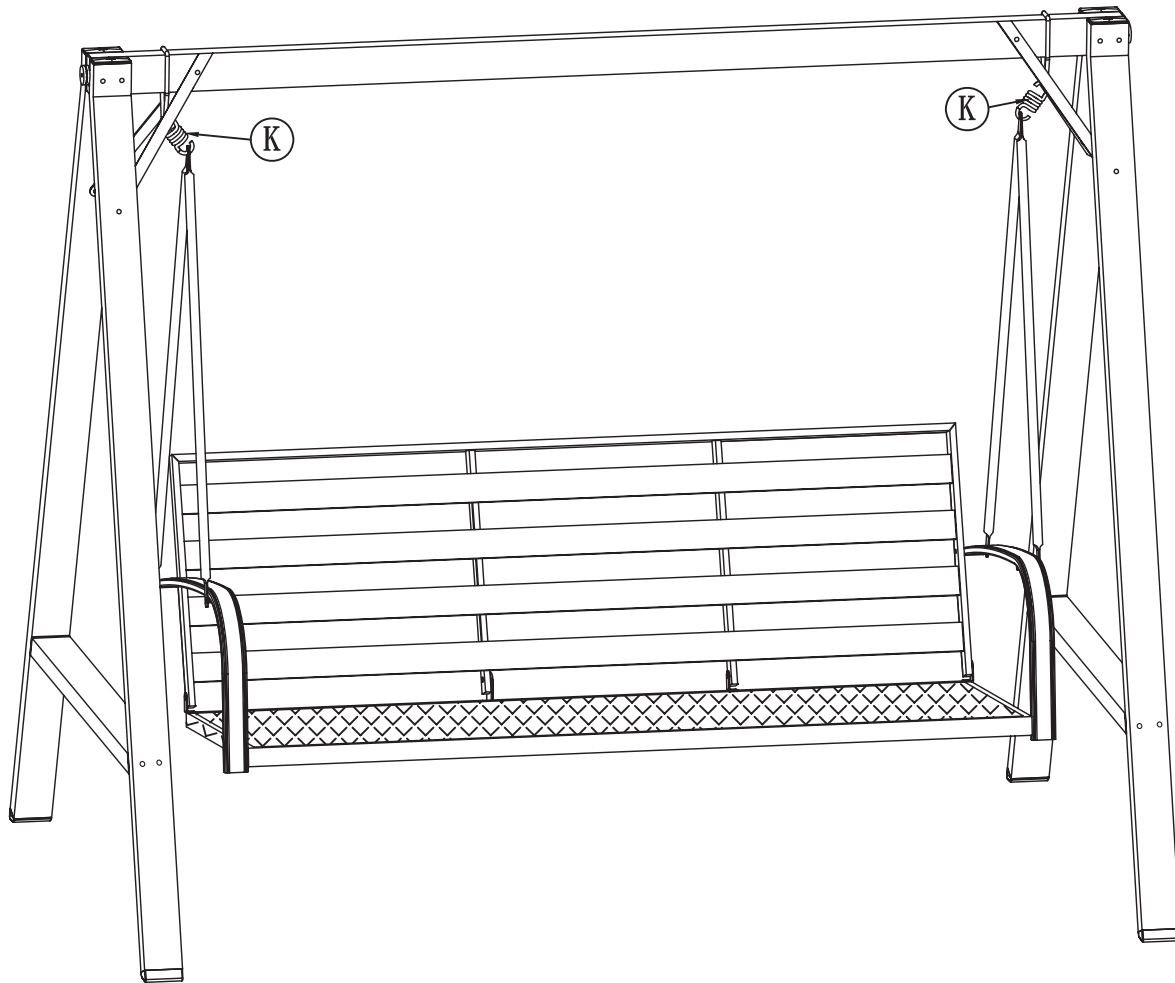
step4



step5



step6



step7

