



Product Specification

With the specification Fiskostar OÜ, reg. nr. 10059856 (Suur-Paala 4, Tallinn 13619 Estonia), declares that the door lock, **ULU2018 Fe/ZN** (Door lock 2018, zinc plated) is manufactured in accordance with the enclosed technical drawing (Appendix 1/Drawing). The material used in the manufacturing process is a first quality material which ensures the good working of the fitting.

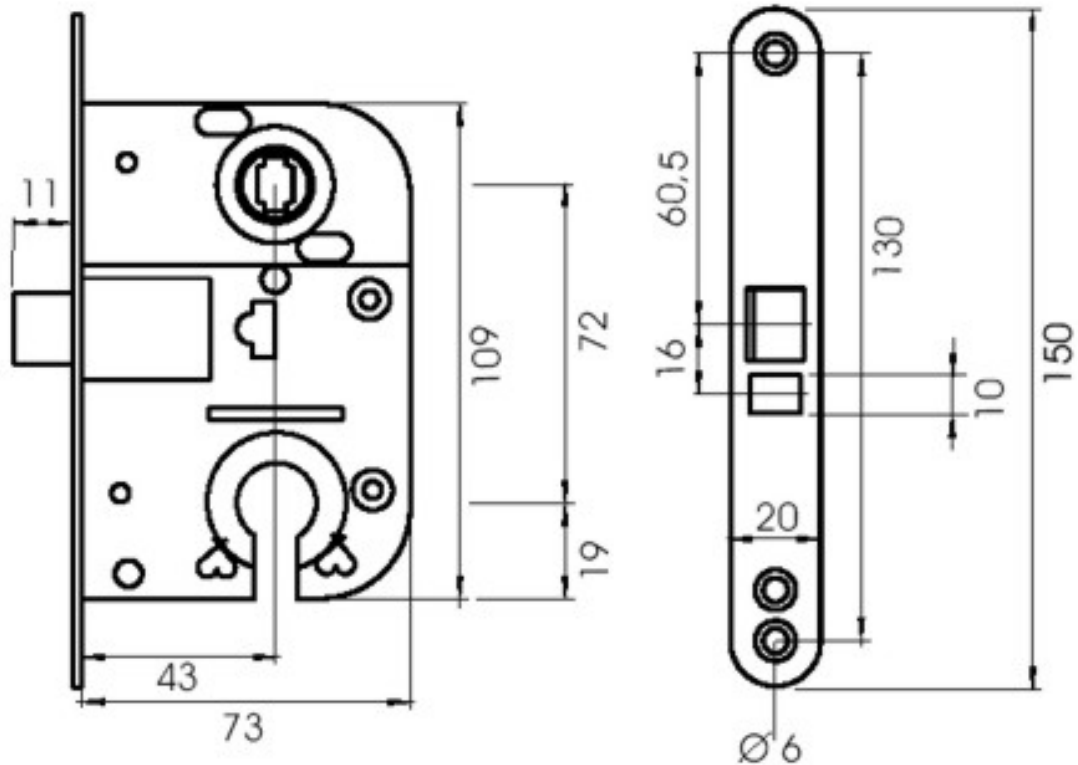
The lock frame is suitable for using with Scandinavian fastening handles and DIN standard cylinders.

Material: steel

Surface treatment: zinc plated

Product weight: 272 g

Country of origin: China



The document is valid until 31.12.2020

Fiskostar OÜ
Suur-Paala 4, Tallinn,
Estonia
27.08.2019

OÜ FISKOSTAR / Registrikood 10059856 / Suur - Paala 4 / 13619 Tallinn
Tel 602 4000 / Faks 655 6445 / e-post: info@fiskostar.ee / www.fiskostar.ee
a/a 1120086372 Hansapank / EE100245299