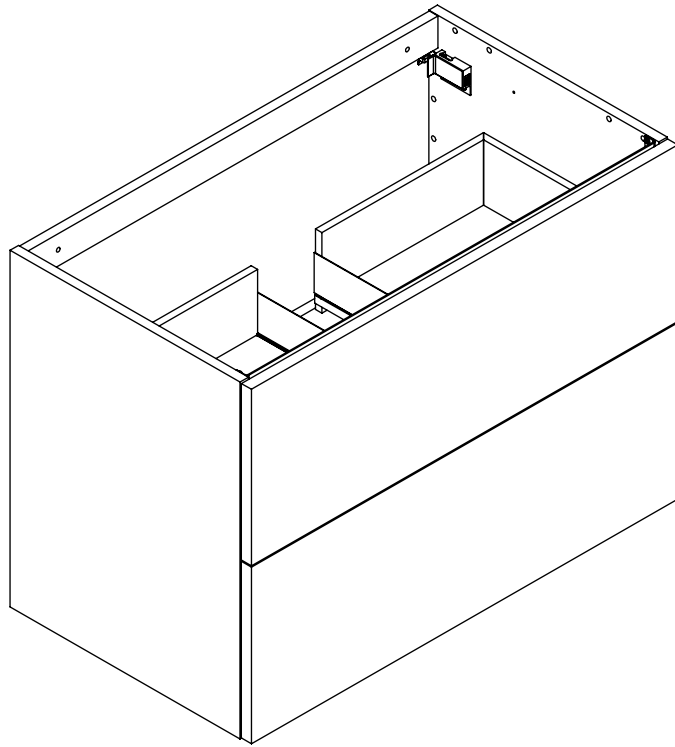
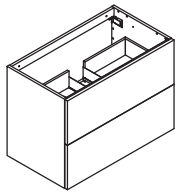


Camargue®





8x
5-500



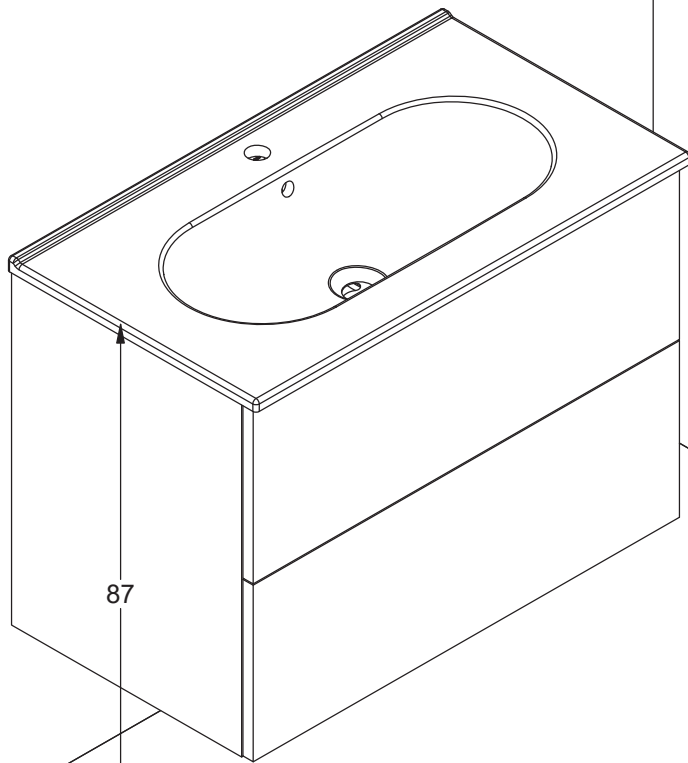
2x
390010190



8x
5,0-60SU






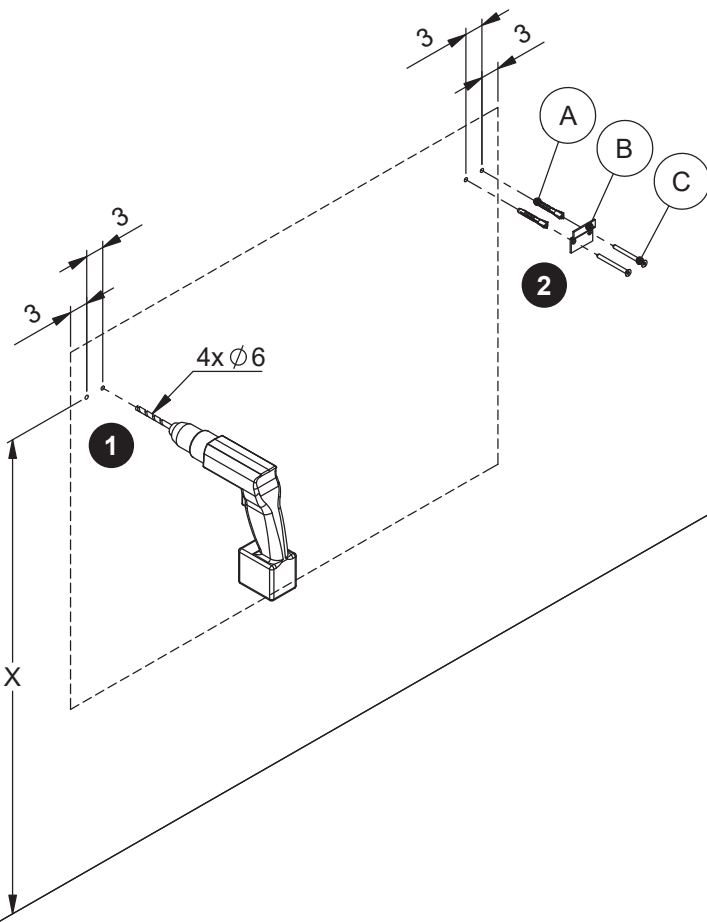
8x
19500000

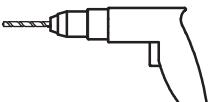

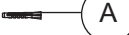



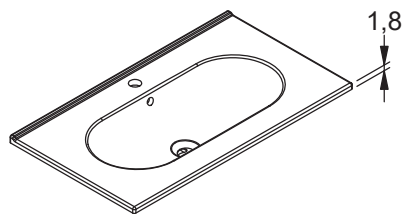
87

1

		
4x 5-500	2x 390010190	4x 5,0-60SU

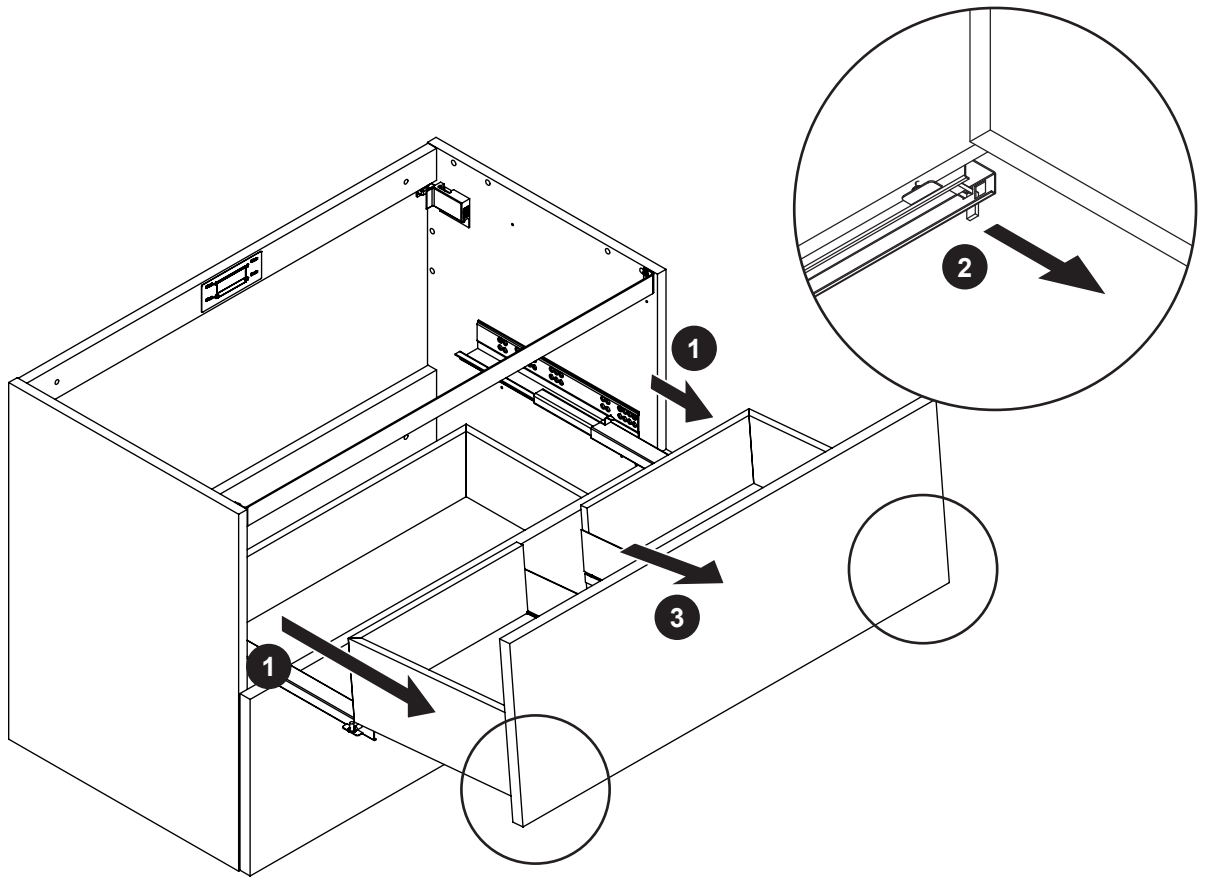


1	
2	 SILICONE
3	 A
4	 SILICONE

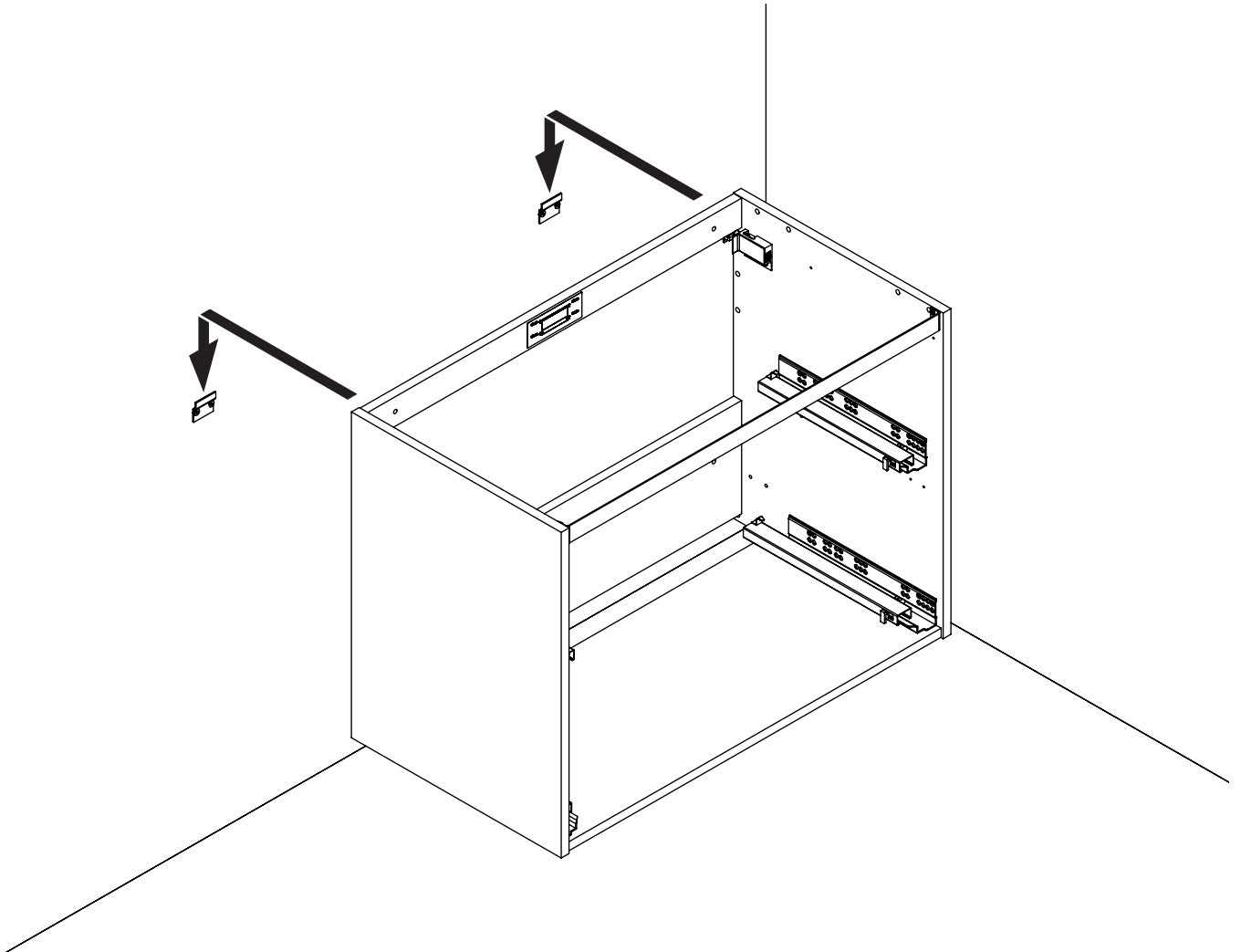


Rymd
X=76,5

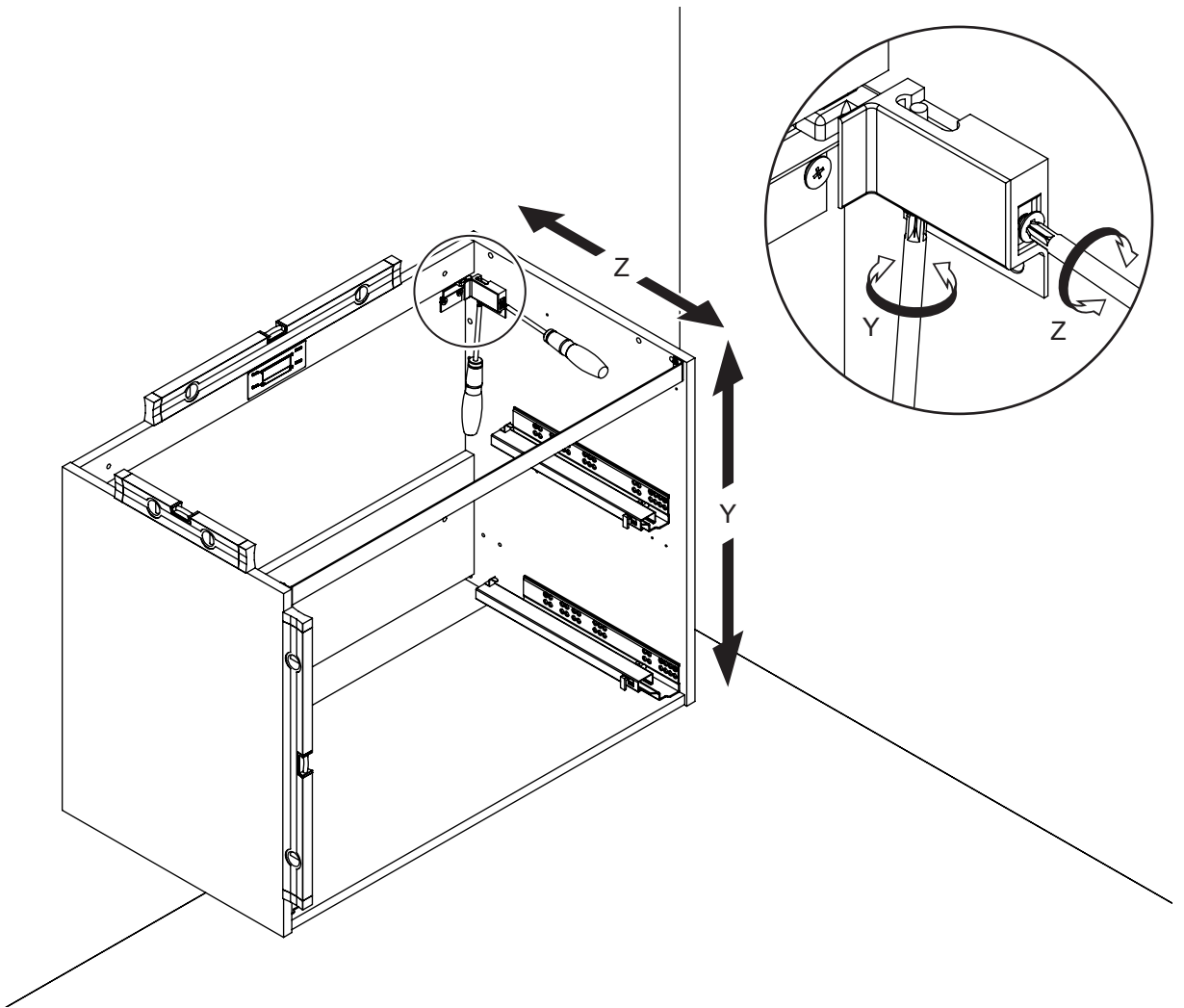
2



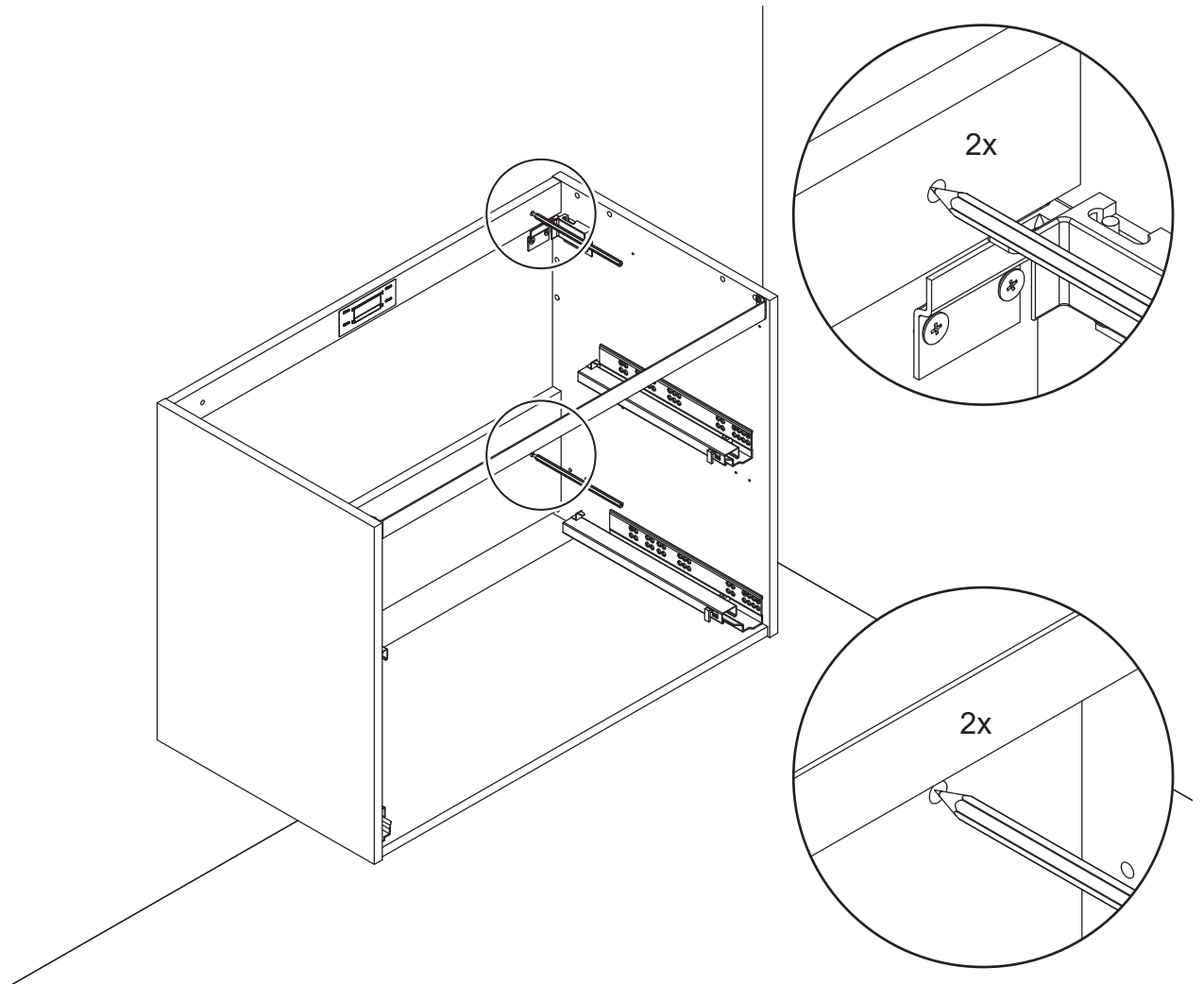
3



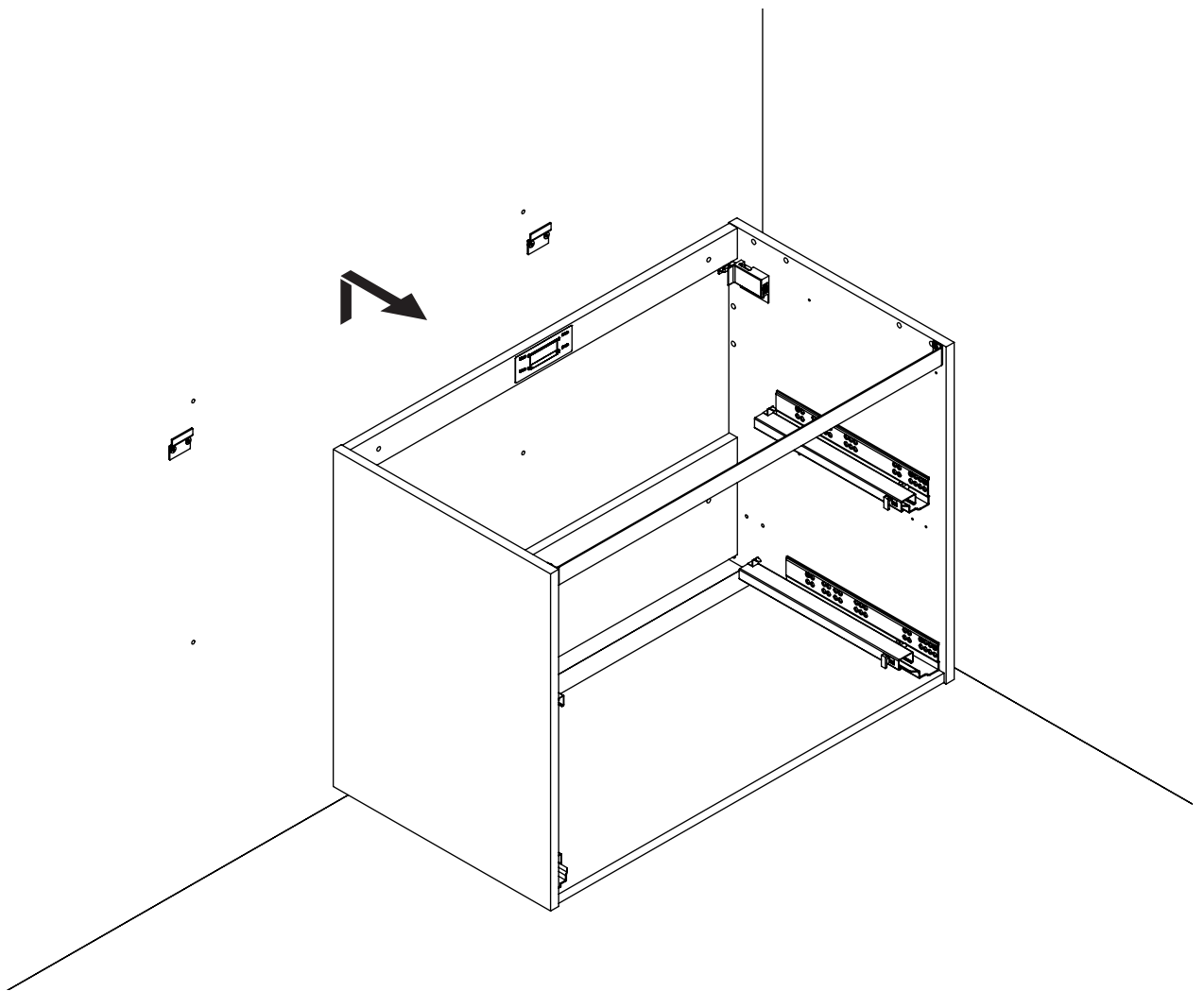
4



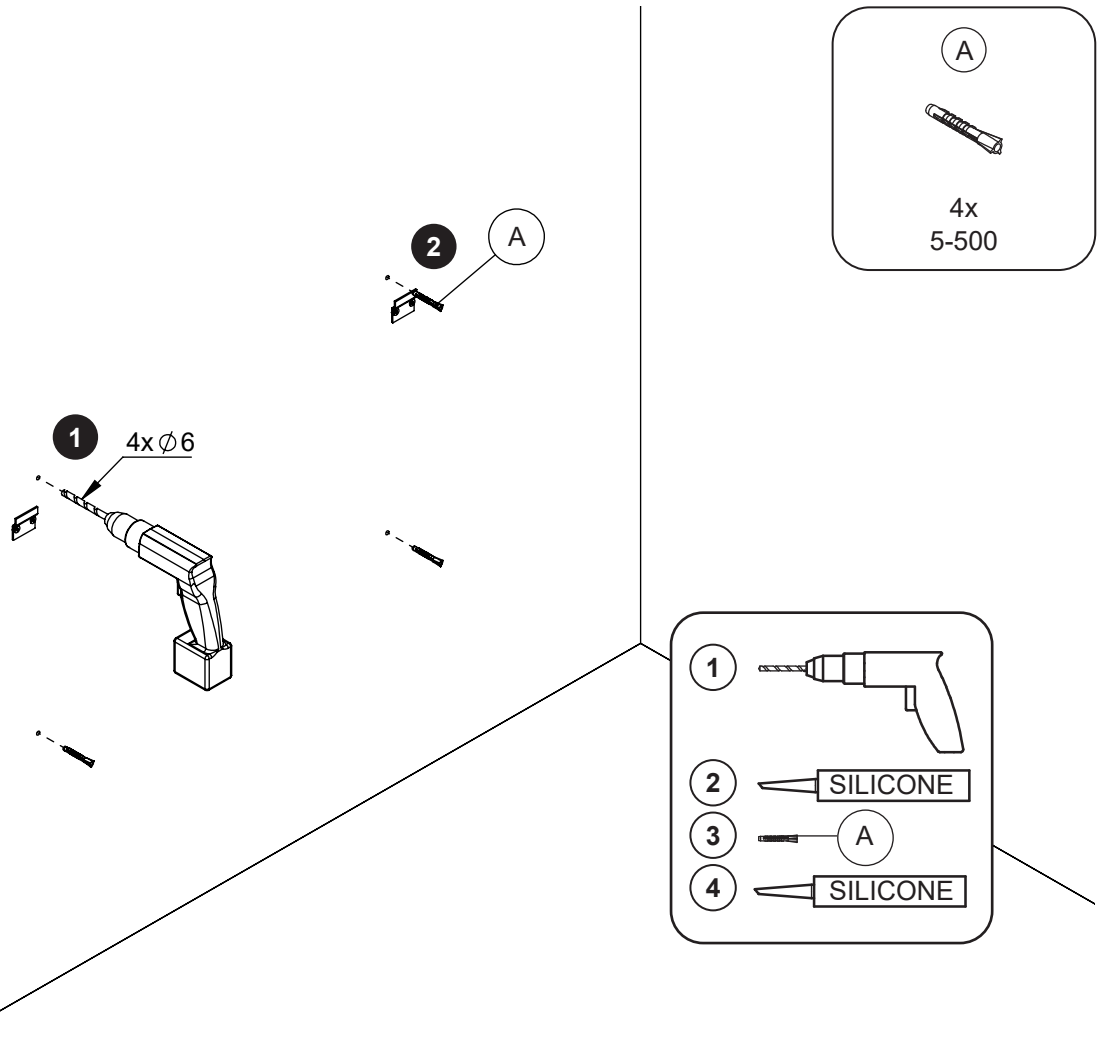
5



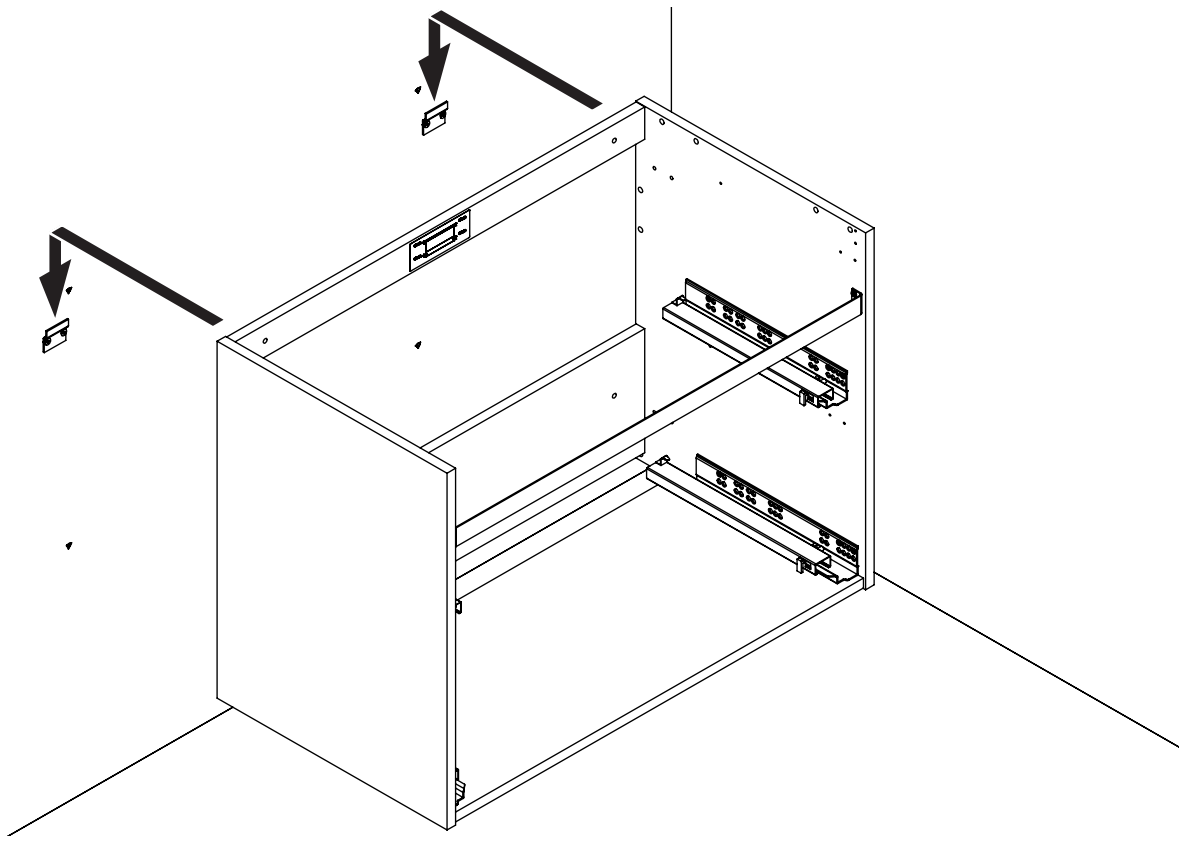
6



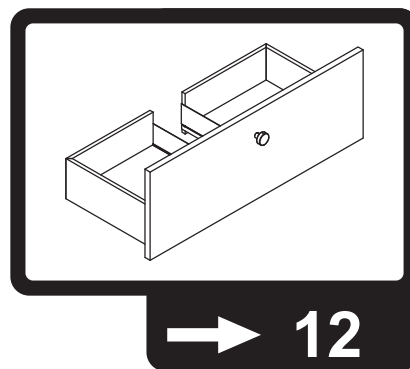
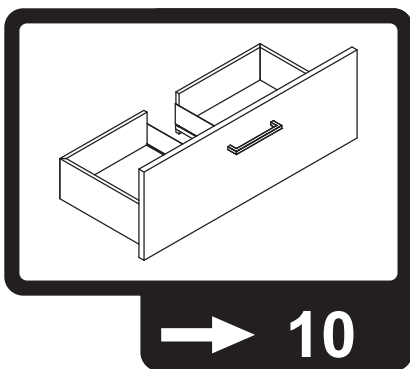
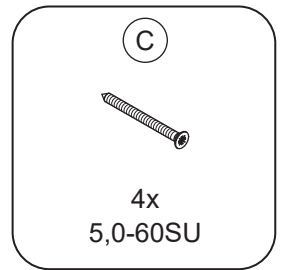
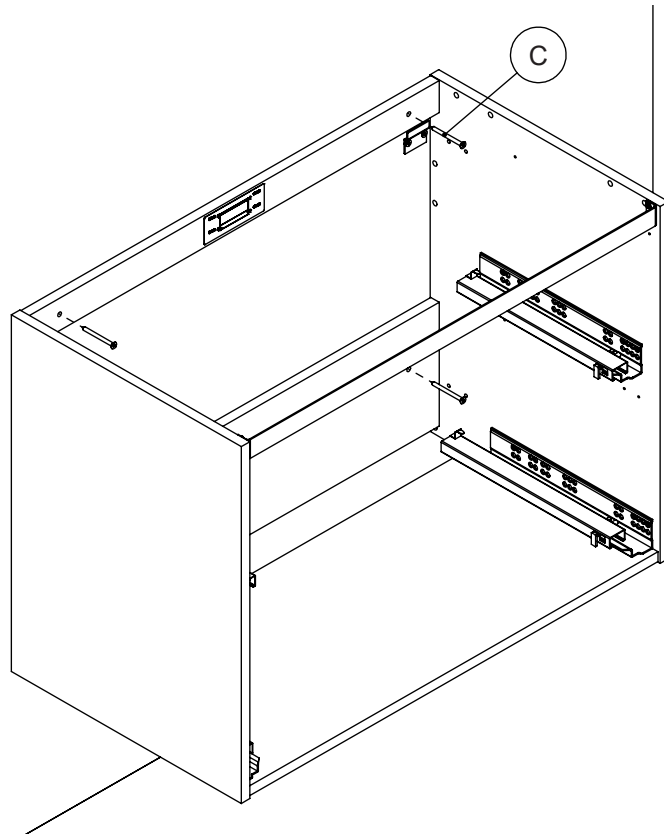
7



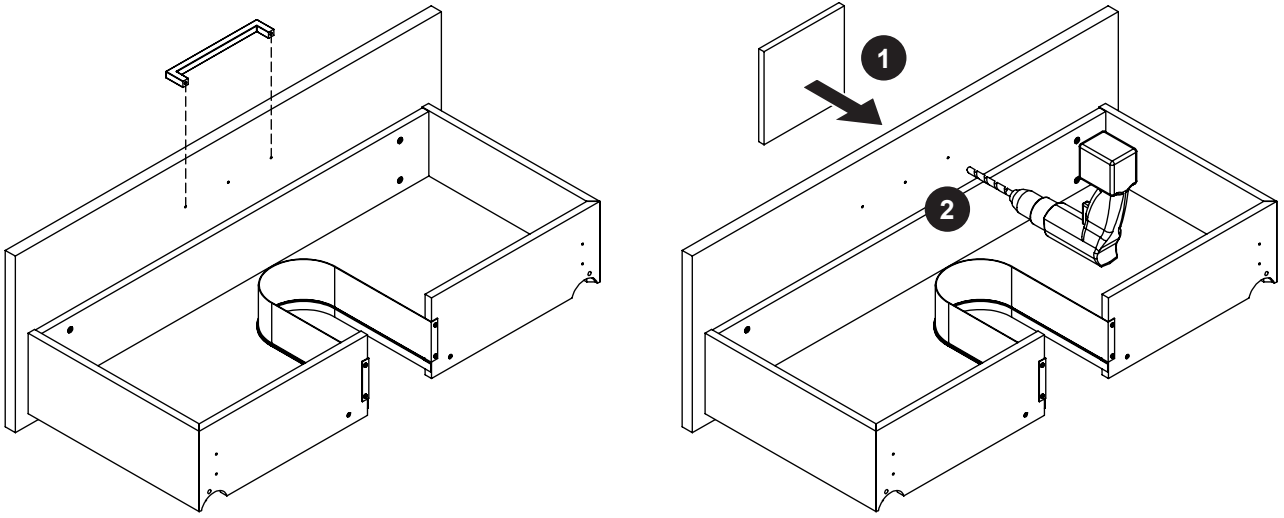
8



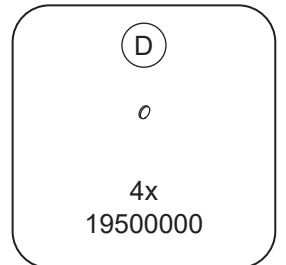
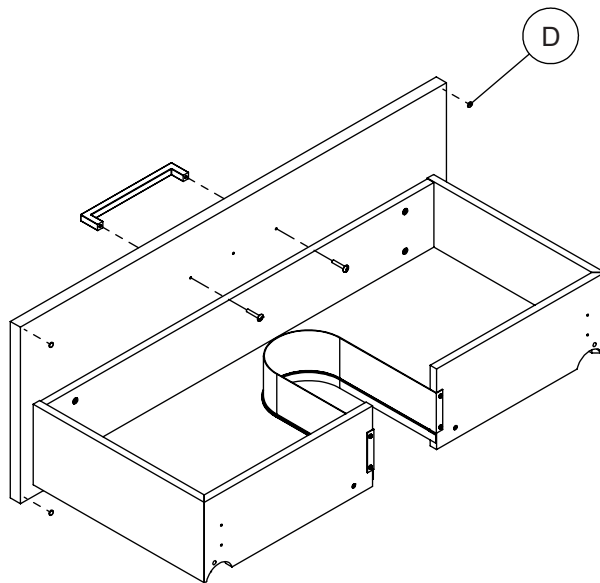
9



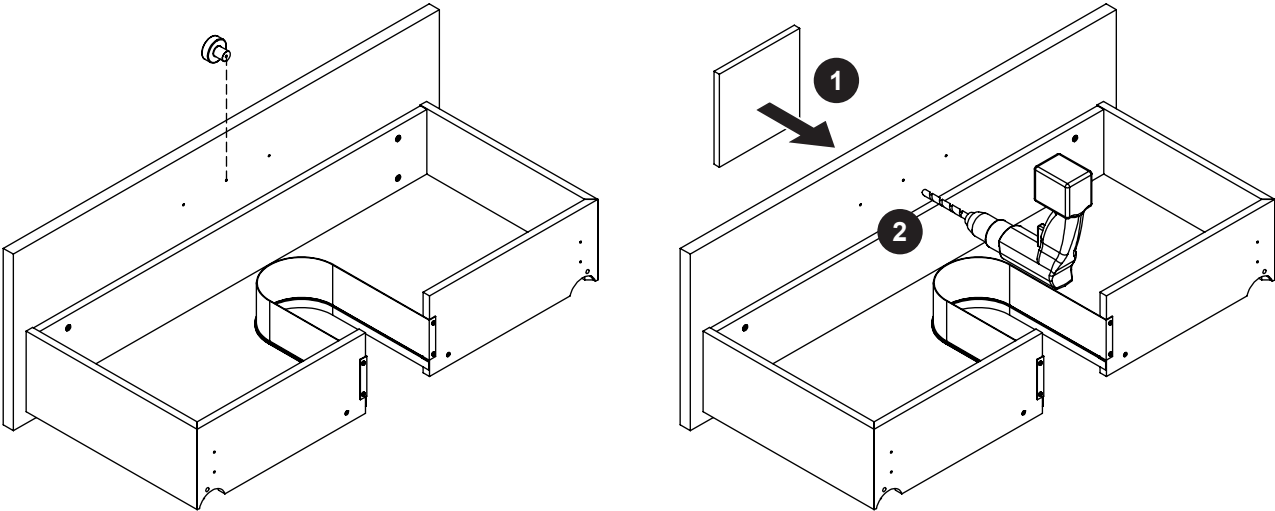
10



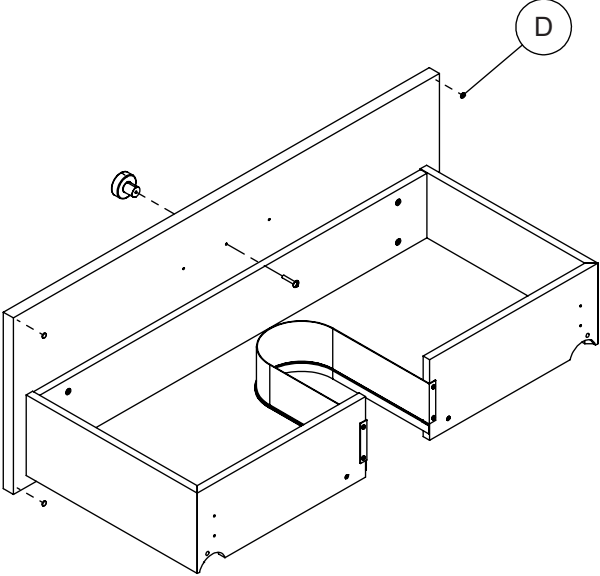
11



12

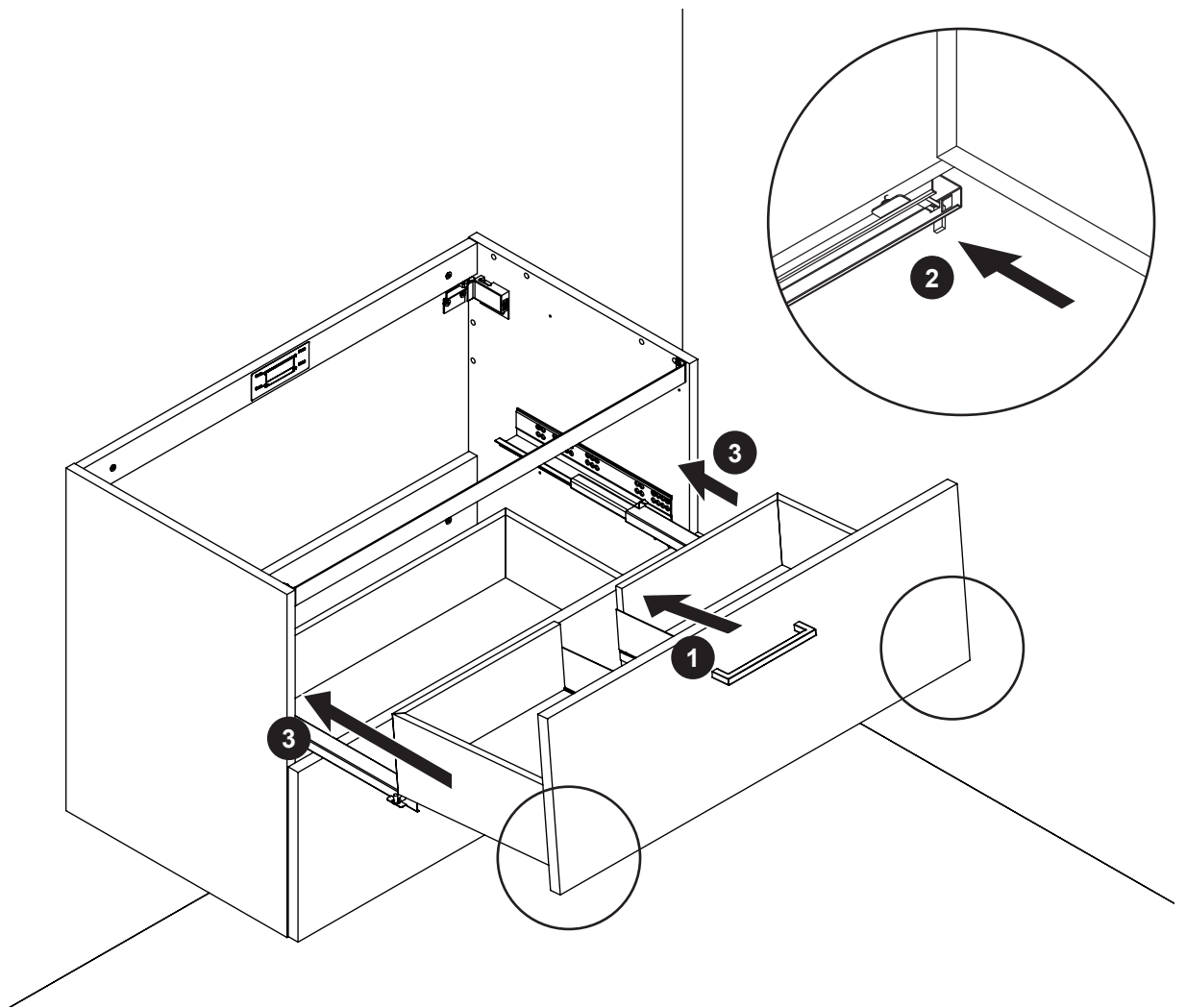


13

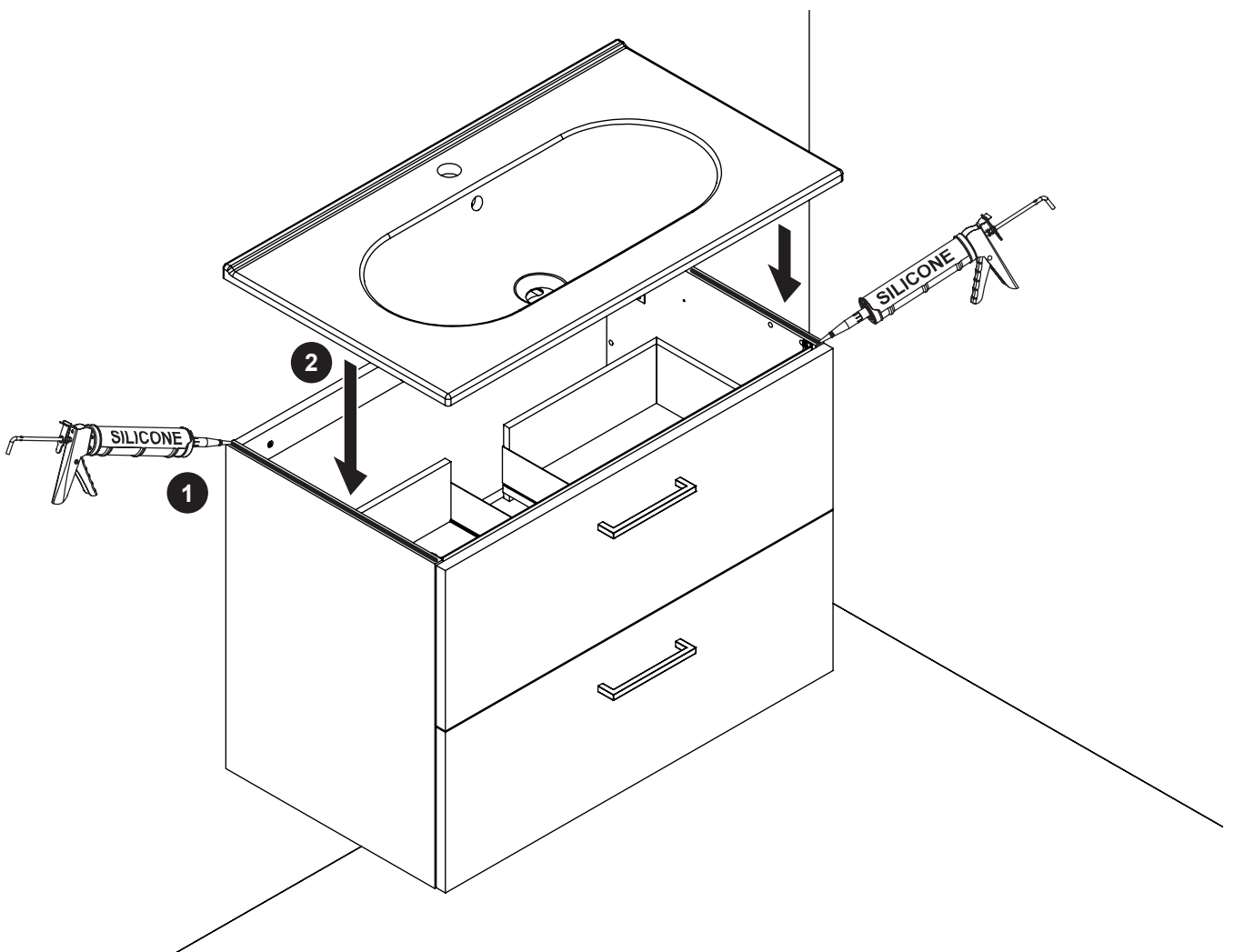


(D)
o
4x
1950000

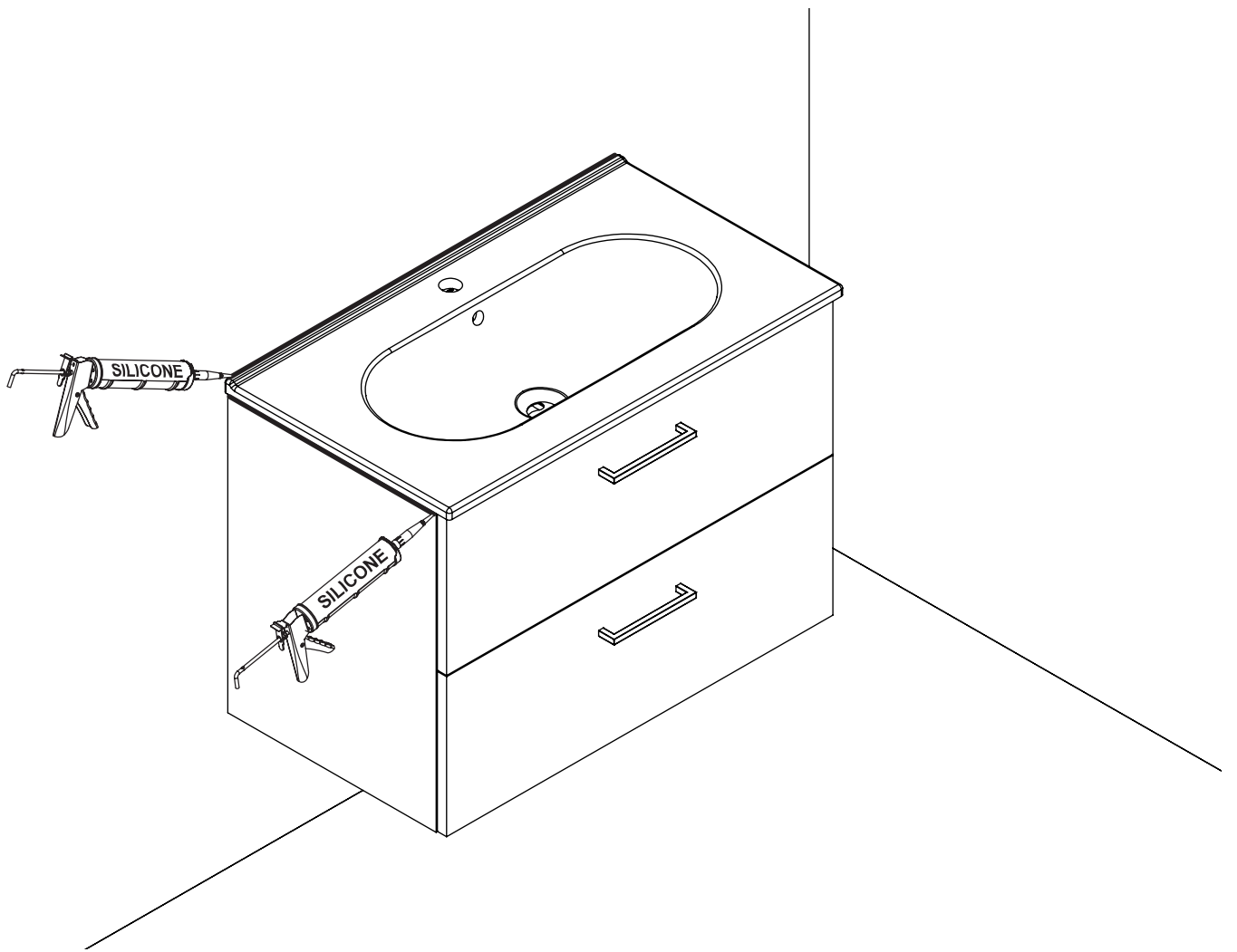
14



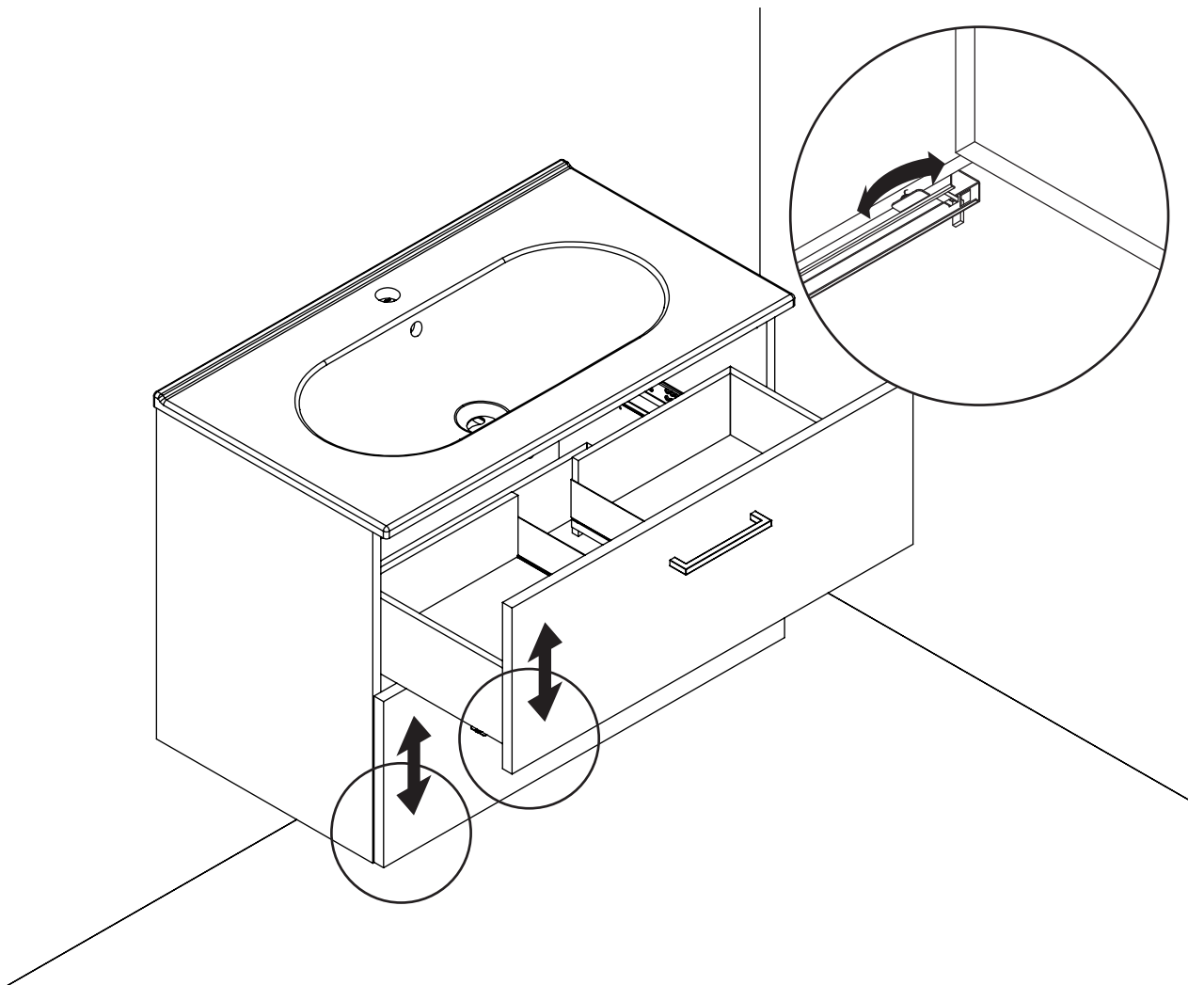
15



16



17





5 713804 369291

No. 1402 220830 Rev. 00