

xpertials

baño

Monteringsanvisning för badrumsspegel IRIS 60 CM

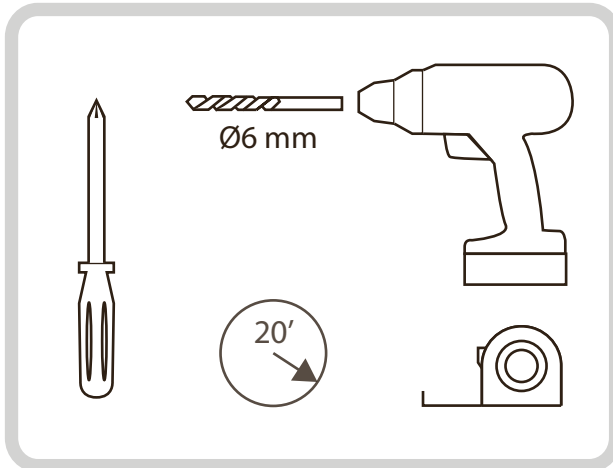


Fig. 1

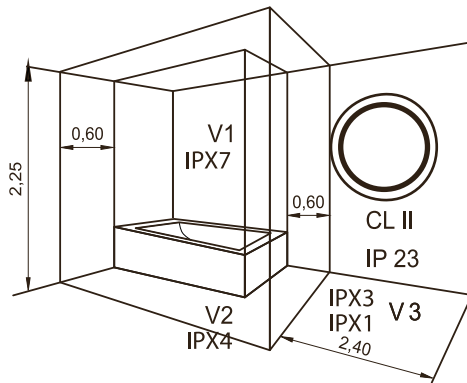
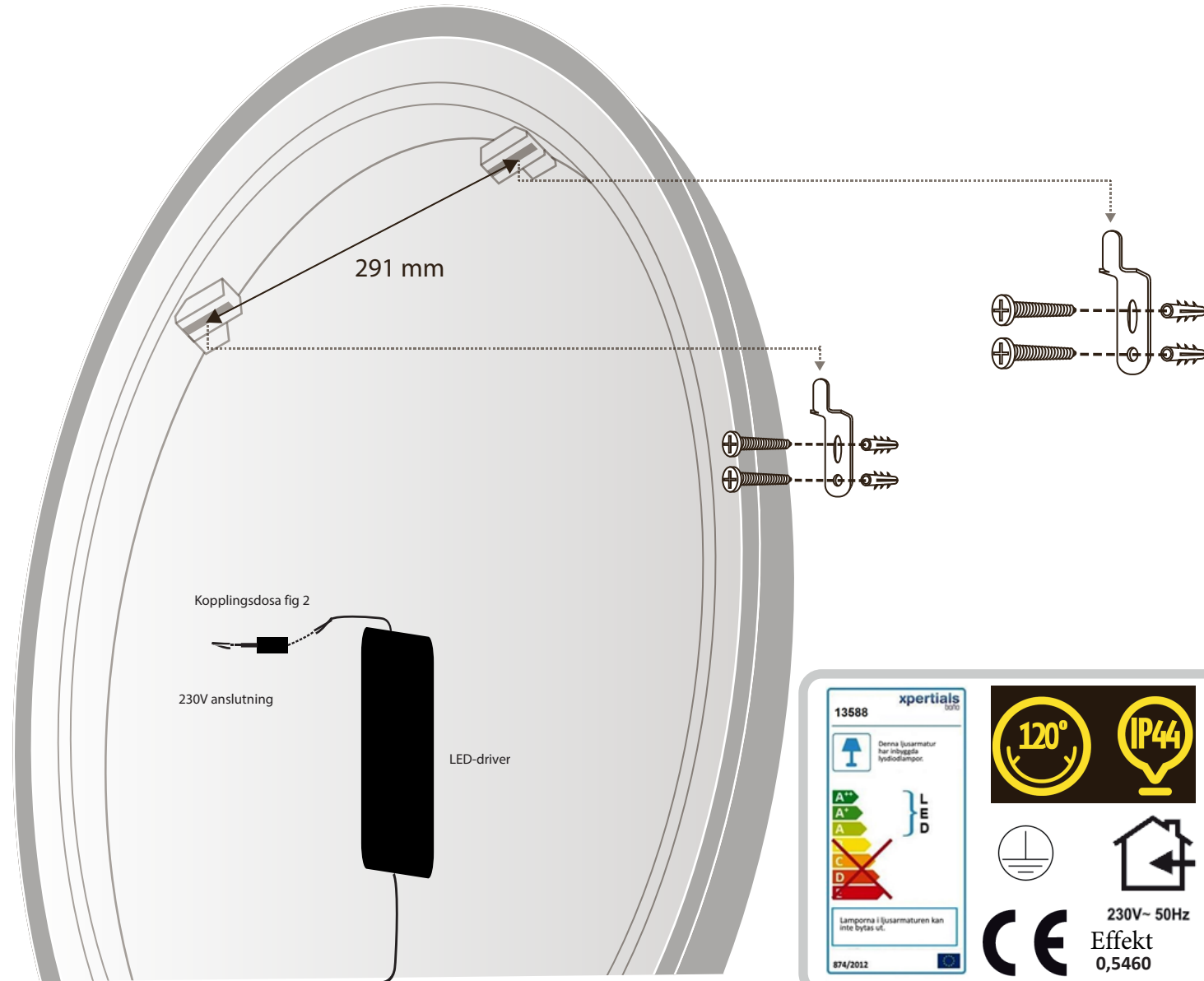
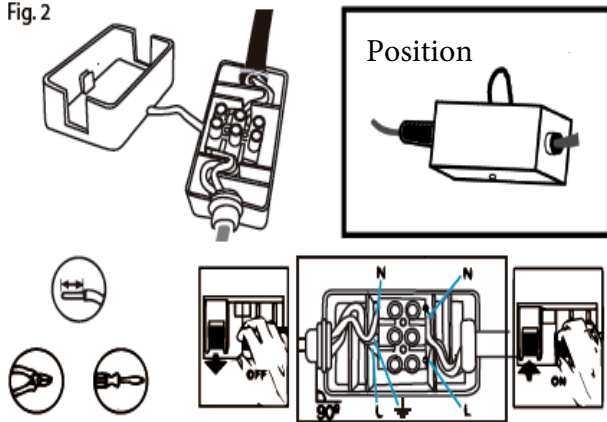


Fig. 2



<p>13588 xpertials baño</p> <p>Denna ljusarmatur har inbyggda lysdiodlampor.</p> <p>A+ A A- C D E</p> <p>Lamporna i ljusarmaturen kan inte bytas ut.</p> <p>874/2012</p>	<p>120°</p> <p>IP44</p>
<p>LED</p>	<p>230V~ 50Hz</p> <p>Effekt 0,5460</p>

SV

VIKTIGT! Säkerheten och garantin för produkten gäller endast om instruktionerna i denna manual följs. Spar därför denna manual

Monteringsinstruktioner

(Installationen skall utföras av en behörig elektriker)
Stäng alltid av strömmen innan installationen påbörjas. Se också till så att det inte finns några elektriska delar i närheten såsom kablar och elektriskt ledande material. Den elektroniska installationen måste följa gällande regelverk.

Badrumsspegel: Spegeln får endast installeras i skyddszon v2-v3 (Figur 1), utanför duschområdet som utgörs av duschen eller badkaret (zon 0,1). Kontakta din lokala myndighet för råd angående de exakta säkerhetsområdena i förhållande till duschen och de våtrumszonerna.

Montering

-Sätt in elkabeln i Kopplingsdosan enligt Figur 2. Skulle den externa elkabeln vara skadad får den endast bytas ut av tillverkaren, en servicetekniker, eller annan auktoriserad personal med liknande behörighet. Kopplingsdosan skall sättas fast på spegeln, alltid i en horisontell position med stängningen nedåt.

Vid byte av LED-belysningen

Belysningen i denna produkt består av LED dioder som ej går att byta ut. Plocka inte isär denna produkt då detta kan leda till att lysdioderna blottas och skadar ögonen. Produkten får ej sättas ner i vatten.

För teknisk information: Se lampetiketten

Får ej slängas bland hushållsopor! Denna produkt innehåller elektriska eller elektroniska komponenter som skall återvinnas. Lämna produkten för återvinning på anvisad plats, till exempel kommunens återvinningsstation.

Kontrollera kabeln, transformatorn och de andra komponenterna regelbundet efter skador. Om någon av produktens komponenter skulle vara skadade så använd den inte.

Villkor för garantin

Vi ger garanti för egenskaperna och funktionaliteten på denna apparat. Längden för garantin är 2 år och börjar gälla från och med inköpsdatumet. Vi åtgärdar alla defekter orsakade av bristfälligt material eller fabriktillningsfel.

Garantin innebär reparation av de defekta delarna eller byte, beroende på vad som anses lämpligt. Garantin omfattas ej av försälingsskador eller skador som uppkommit till följd av felaktig användning eller felaktigt underhåll. Garanti beviljas endast om köpkvittot visas upp tillsammans med enheten vid ett auktoriserat försäljningsställe.

Alla komponenter är gjorda enligt föreskrifterna EN 60598-2-1: 1989 används tillsammans med EN 60598-1: 2015.

TILLVERKAREN ÄR EJ ANSVARIG FÖR INCIDENTER SOM UPPSTÅR TILL FÖLJD AV FELAKTIG MONTERING ELLER FÖR ÅTILLÅTEN INSTALLATION DÅR INSTRUKTIONERNA INTE HAR FÖLJTS. TILLVERKAREN HAR RÄTT ATT MODIFIERA APPARATEN UTAN FÖRVARNING ENLIGT NORMERNA.

PRODUCERS ARE NOT RESPONSIBLE OF ANY ACCIDENT DUE TO MOUNTING MISTAKES OR TAMPERING. FURTHERMORE, PRODUCERS WILL KEEP THE RIGHT TO APPLY THECHNICAL CHANGES TO THE PRODUCTS WITHOUT PREVIOUS WARNING IN THE RESPECT OF ABOVE MENTIONED STANDARDS.

THE FABRICANT DECLINES ALL RESPONSIBILITY IN THE EVENT OF ACCIDENTS AND/OR DAMAGES DUE TO A USER ERROR IN MOUNTING, A BAD USE OF THE PRODUCT OR A MODIFICATION OF THE INSTALLATION. THE FABRICANT RESERVES THE RIGHT TO APPLY TECHNICAL CHANGES TO THE PRODUCTS WITHOUT PREVIOUS WARNING IN THE RESPECT OF ABOVE MENTIONED STANDARDS.

THE FABRICANT DOES NOT ASSUME ANY LIABILITY FOR DAMAGES CAUSED BY USER MOUNTING ERRORS OR TAMPERING. FURTHERMORE, THE FABRICANT WILL RESERVE THE RIGHT TO APPLY TECHNICAL CHANGES TO THE PRODUCTS WITHOUT PREVIOUS WARNING IN THE RESPECT OF ABOVE MENTIONED STANDARDS.

THE FABRICANT DOES NOT ASSUME ANY LIABILITY FOR DAMAGES CAUSED BY USER MOUNTING ERRORS OR TAMPERING. FURTHERMORE, THE FABRICANT WILL RESERVE THE RIGHT TO APPLY TECHNICAL CHANGES TO THE PRODUCTS WITHOUT PREVIOUS WARNING IN THE RESPECT OF ABOVE MENTIONED STANDARDS.

THE FABRICANT DOES NOT ASSUME ANY LIABILITY FOR DAMAGES CAUSED BY USER MOUNTING ERRORS OR TAMPERING. FURTHERMORE, THE FABRICANT WILL RESERVE THE RIGHT TO APPLY TECHNICAL CHANGES TO THE PRODUCTS WITHOUT PREVIOUS WARNING IN THE RESPECT OF ABOVE MENTIONED STANDARDS.

THE FABRICANT DOES NOT ASSUME ANY LIABILITY FOR DAMAGES CAUSED BY USER MOUNTING ERRORS OR TAMPERING. FURTHERMORE, THE FABRICANT WILL RESERVE THE RIGHT TO APPLY TECHNICAL CHANGES TO THE PRODUCTS WITHOUT PREVIOUS WARNING IN THE RESPECT OF ABOVE MENTIONED STANDARDS.

THE FABRICANT DOES NOT ASSUME ANY LIABILITY FOR DAMAGES CAUSED BY USER MOUNTING ERRORS OR TAMPERING. FURTHERMORE, THE FABRICANT WILL RESERVE THE RIGHT TO APPLY TECHNICAL CHANGES TO THE PRODUCTS WITHOUT PREVIOUS WARNING IN THE RESPECT OF ABOVE MENTIONED STANDARDS.

THE FABRICANT DOES NOT ASSUME ANY LIABILITY FOR DAMAGES CAUSED BY USER MOUNTING ERRORS OR TAMPERING. FURTHERMORE, THE FABRICANT WILL RESERVE THE RIGHT TO APPLY TECHNICAL CHANGES TO THE PRODUCTS WITHOUT PREVIOUS WARNING IN THE RESPECT OF ABOVE MENTIONED STANDARDS.

THE FABRICANT DOES NOT ASSUME ANY LIABILITY FOR DAMAGES CAUSED BY USER MOUNTING ERRORS OR TAMPERING. FURTHERMORE, THE FABRICANT WILL RESERVE THE RIGHT TO APPLY TECHNICAL CHANGES TO THE PRODUCTS WITHOUT PREVIOUS WARNING IN THE RESPECT OF ABOVE MENTIONED STANDARDS.

THE FABRICANT DOES NOT ASSUME ANY LIABILITY FOR DAMAGES CAUSED BY USER MOUNTING ERRORS OR TAMPERING. FURTHERMORE, THE FABRICANT WILL RESERVE THE RIGHT TO APPLY TECHNICAL CHANGES TO THE PRODUCTS WITHOUT PREVIOUS WARNING IN THE RESPECT OF ABOVE MENTIONED STANDARDS.

THE FABRICANT DOES NOT ASSUME ANY LIABILITY FOR DAMAGES CAUSED BY USER MOUNTING ERRORS OR TAMPERING. FURTHERMORE, THE FABRICANT WILL RESERVE THE RIGHT TO APPLY TECHNICAL CHANGES TO THE PRODUCTS WITHOUT PREVIOUS WARNING IN THE RESPECT OF ABOVE MENTIONED STANDARDS.

THE FABRICANT DOES NOT ASSUME ANY LIABILITY FOR DAMAGES CAUSED BY USER MOUNTING ERRORS OR TAMPERING. FURTHERMORE, THE FABRICANT WILL RESERVE THE RIGHT TO APPLY TECHNICAL CHANGES TO THE PRODUCTS WITHOUT PREVIOUS WARNING IN THE RESPECT OF ABOVE MENTIONED STANDARDS.

THE FABRICANT DOES NOT ASSUME ANY LIABILITY FOR DAMAGES CAUSED BY USER MOUNTING ERRORS OR TAMPERING. FURTHERMORE, THE FABRICANT WILL RESERVE THE RIGHT TO APPLY TECHNICAL CHANGES TO THE PRODUCTS WITHOUT PREVIOUS WARNING IN THE RESPECT OF ABOVE MENTIONED STANDARDS.

THE FABRICANT DOES NOT ASSUME ANY LIABILITY FOR DAMAGES CAUSED BY USER MOUNTING ERRORS OR TAMPERING. FURTHERMORE, THE FABRICANT WILL RESERVE THE RIGHT TO APPLY TECHNICAL CHANGES TO THE PRODUCTS WITHOUT PREVIOUS WARNING IN THE RESPECT OF ABOVE MENTIONED STANDARDS.

THE FABRICANT DOES NOT ASSUME ANY LIABILITY FOR DAMAGES CAUSED BY USER MOUNTING ERRORS OR TAMPERING. FURTHERMORE, THE FABRICANT WILL RESERVE THE RIGHT TO APPLY TECHNICAL CHANGES TO THE PRODUCTS WITHOUT PREVIOUS WARNING IN THE RESPECT OF ABOVE MENTIONED STANDARDS.

THE FABRICANT DOES NOT ASSUME ANY LIABILITY FOR DAMAGES CAUSED BY USER MOUNTING ERRORS OR TAMPERING. FURTHERMORE, THE FABRICANT WILL RESERVE THE RIGHT TO APPLY TECHNICAL CHANGES TO THE PRODUCTS WITHOUT PREVIOUS WARNING IN THE RESPECT OF ABOVE MENTIONED STANDARDS.

EN

ATTENTION ! Appliance safety is only guaranteed if the following instructions are meticulously observed; these instructions should therefore be kept for reference.

Assembly instructions

(To be carried out by a professional electrician)
During assembly, before connecting to the mains electricity supply, make sure that it has been switched o, and tha t no electrical part (terminal strip and wires) may come into direct contact with the user.
The electrical connection must be executed according to current rules.

Indoor mirror: For indoor use only. The miirror may only be installed within protection zone v2 or v3 (yg.1), therefore out of range of the showerhead (zone 0, 1). Refer to your national electrical safety standards and requirements to establish exactly where it is safe and legal to install the lighting fixture!

Mounting Instructions:

-Connect the cable of the power box to the network, following instruction of Fig. 2.
-In case of damage of the external e xible cable, it must be replaced exclusively by its producer, its representative or the skilled sta, so as t o avoid any sort of danger.
The electrical junction box must be stuck on the mirror , always in horizontal position , and the closing must look down.

Bulb replacement

- The light source of this product is non-changeable light diodes (LED). Do not disassemble the product, as the light diodes can cause damage to the eyes. Do not immerse in water.
Technical data: check the lamp label

To help protect our environment please dispose of all excess packaging at our local recycling center. The same will apply to the product once they have come to the end of their usefull life. Check with your Local Authority or retailer for recycling advice.

Maintenance and cleaning:

- Clean the furniture with a gentle detergent and water solution using a damp, not wet, cloth. Dry immediately with a soft clean cloth. Do not use alcohol base products, solvents or thinners. All theseoperations must be carried out with care to avoid scratching the surface.
Regularly check the cord, the transformer and all other parts for damage. If any parties damage the product should not be used.

Conditions of guarantee

We guarantee the perfect condition and function of this appliance. The guarantee is valid for 2 years beginning form the date of sale to the end user. We will rectify all faults arising from defective materials or manufacturing. The guarantee covers repair or replacement of the defective parts, subject to our approval. The guarantee does not apply to damage not apply to damage to parts which are subject to wear and tear nor damage or defects caused by improper use or incorrect maintenance. The guarantee only applies if the purchase receipt is sent to the dealer together with the appliance. This guarantee does not a ect your statutory rights.

All the components and the complete installation are to standards EN 60598-2-1 : 1989 used in conjunction with EN 60598-1 + A1 : 2015.

PRODUCERS ARE NOT RESPONSIBLE OF ANY ACCIDENT DUE TO MOUNTING MISTAKES OR TAMPERING. FURTHERMORE, PRODUCERS WILL KEEP THE RIGHT TO APPLY THECHNICAL CHANGES TO THE PRODUCTS WITHOUT PREVIOUS WARNING IN THE RESPECT OF ABOVE MENTIONED STANDARDS.

THE FABRICANT DECLINES ALL RESPONSIBILITY IN THE EVENT OF ACCIDENTS AND/OR DAMAGES DUE TO A USER ERROR IN MOUNTING, A BAD USE OF THE PRODUCT OR A MODIFICATION OF THE INSTALLATION. THE FABRICANT RESERVES THE RIGHT TO APPLY TECHNICAL CHANGES TO THE PRODUCTS WITHOUT PREVIOUS WARNING IN THE RESPECT OF ABOVE MENTIONED STANDARDS.

THE FABRICANT DOES NOT ASSUME ANY LIABILITY FOR DAMAGES CAUSED BY USER MOUNTING ERRORS OR TAMPERING. FURTHERMORE, THE FABRICANT WILL RESERVE THE RIGHT TO APPLY TECHNICAL CHANGES TO THE PRODUCTS WITHOUT PREVIOUS WARNING IN THE RESPECT OF ABOVE MENTIONED STANDARDS.

THE FABRICANT DOES NOT ASSUME ANY LIABILITY FOR DAMAGES CAUSED BY USER MOUNTING ERRORS OR TAMPERING. FURTHERMORE, THE FABRICANT WILL RESERVE THE RIGHT TO APPLY TECHNICAL CHANGES TO THE PRODUCTS WITHOUT PREVIOUS WARNING IN THE RESPECT OF ABOVE MENTIONED STANDARDS.

PT

ATENÇÃO ! A segurança do aparelho é garantida apenas se forem observadas estas instruções. Portanto, é necessário conservá-las.

Instruções para a utilização

(destinadas a pessoal qualificado)
Ao fazer a montagem e antes de fazer a ligação à rede eléctrica, certifique-se de ter desligado a corrente e que nenhuma parte eléctrica (régua de junção e cabos) possa entrar em contacto directo com o utilizador.
A conexão eléctrica deve ser feita seguindo as regras.

Espelho para banho apenas para uso interno: Deve-se montar o projector apenas no interior da zona de protecção v2 ou v3 (yg. 1), portanto, fora da zona de projecção do duche (zona de protecção 0, 1). No que concerne a zona de projecção/de protecção, devem-se observar as normas vigentes no país de utilização.

Montagem

-Link o cabos de transformador a la corrente seguindo las Fig. 2.
-No caso de danos no cabo eléctrico e xível externo deste aparelho, este deverá ser substituído apenas pelo fabricante, pelo seu representante ou por pessoa qualiycada para evitar perigos.
La boîte de jonction doit toujours être collée en position horizontale avec la fermeture en bas.

Substituição da lâmpada

- A fonte de luz deste produto são diodos não renováveis (LED). Não desmonte o produto, pois os diodos podem provocar danos oculares.
Não imersa em água.
Dados técnicos: Veja a etiqueta da lâmpada

É necessário entregar o material aos responsáveis para a reciclagem. Verifique junto às autoridades locais ou junto ao revendedor para instruções sobre a exposição do aviso de reciclagem.

Verifique regularmente o cabo, o transformador e todos os outros elementos. Se alguma das partes do produto estiverdanificada, o produto não poderá ser utilizado.

A garantia

Garantimos a perfeita qualidade e o bom funcionamento deste aparelho eléctrico. O projector possui uma garantia de 2 anos a contar da data de compra. Garantimos a eliminação de quaisquer defeitos de material ou de fabrico. A garantia é aplicada através da reparação ou substituição dos componentes defeituosos, à nossa discrição. Para danos nas partes sujeitas a desgaste normal ou para danos ou falhas causados por intervenções abusivas ou por uma utilização e uma manutenção impróprias, a garantia não é válida. A garantia é válida apenas se for enviado ao revendedor o projector juntamente com o respectivo recibo de compra.
Todos os componentes e o aparelho são fabricados em conformidade com as normas EN 60598-2-1 usado em conjunto com EN 60598-1 : 2015.

O FABRICANTE NÃO ASSUME NENHUMA RESPONSABILIDADE POR ACIDENTES CAUSADOS POR ERROS DE MONTAGEM OU INTERVENÇÕES ABUSIVAS E RESERVA-SE O DIREITO DE FAZER MODIFICAÇÕES TÉCNICAS NOS PRODUTOS A QUALQUER MOMENTO E SEM OBRIGAÇÃO DE AVISO PRÉVIO.

FR

ATTENTION ! La sécurité de l'appareil est garantie uniquement à condition que les présentes instructions soient scrupuleusement respectées ; par conséquent, il est recommandé de les conserver avec soin.

Instructions pour l'utilisation

(à e, ectuer par un personnel professionnel qualiyé)
Avant d'e, ectuer le branchement sur le réseau d'alimentation, pendant le montage s'assurer que l'alimentation électrique ait été coupée et qu'aucun élément électrique (borner et conducteurs électriques) puisse entrer en contact direct avec un utilisateur.
Le branchement électrique doit être e, ectué selon les normes en vigueur.

Miroir pour la salle de bain, destinées uniquement à être utilisées à l'intérieur : Le miroir en objet doit obligatoirement être montée à l'intérieur de la zone de protection v2 ou v3 (Fig. 2), c'est-à-dire hors de la zone d'éclaboussure de la douche (zone de protection 0, 1). En ce qui concerne la zone d'éclaboussure / de protection, il est nécessaire de respecter les normes spécifiques en vigueur dans le pays où l'appareil est installé !

Montage

-Connectez le conducteur électrique du chargeur au réseau, selon Fig. 2.
-En cas de dommage au niveau du câble électrique e xible extérieur de cet appareil, il est impératif qu'il soit remplacé exclusivement par le fabricant ou par un de ses représentants, ou encore par un professionnel qualiyé. Ceci pour éviter tout danger.
Caixa de junção devem ser preso no espelho posição horizontal sempre com paragem.

Remplacement de l'ampoule

- La source lumineuse du produit est composée de diodes (LED) qui ne se remplent pas. Ne jamais démonter le produit, les diodes peuvent causer des blessures aux yeux.
Ne jamais immerger dans de l'eau..
Données techniques : Voir l'étiquette de la lampe

A la yn de l'utilisation ne pas disperser le produit dans la nature mais remettre aux installations de recyclage appropriées.. Pour cela, contacter les Autorités Locales ou votre revendeur pour visualiser et connaître les conditions d'élimination et de recyclage.

Garantie

Nous garantissons l'excellente qualité et le bon fonctionnement de cet appareil électrique. La lampe est garantie pendant 2 ans à partir de la date d'achat. Nous répondons de l'élimination de tout vice relatif à des défauts des matériaux et de fabrication. La garantie s'exprime par la réparation ou le remplacement des éléments reconnus, sans appel, défectueux. La garantie ne s'applique pas au pièces touchées par une usure normale, ni aux dommages ou problèmes quels qu'ils soient dus à une utilisation anormale ou abusive ou à un mauvais entretien ou à toute modification. La garantie ne pourra être appliquée qu'aux lampes retournées au revendeur accompagnées du reçu de caisse correspondant.

Les composants et l'installation ont tous été fabriqués conformément aux normes EN 60598-2-1 : 1989 utilisez en combinassions avec , EN 60598-1 : 2015

LE FABRICANT DÉCLINE TOUTE RESPONSABILITÉ EN CAS D'ACCIDENTS ET/OU DOMMAGES DUS À UNE ERREUR DE MONTAGE, UNE MAUVAISE UTILISATION OU MODIFICATION DE L'INSTALLATION. LE FABRICANT SE RÉSERVE LE DROIT D'APPORTER À SES PRODUITS TOUTES LES MODIFICATIONS TECHNIQUES QU'IL JUGERA UTILES, À TOUT MOMENT ET SANS OBLIGATION DE PRÉAVIS, DANS LE RESPECT DES NORMES MENTIONNEES.

xpertials

baño