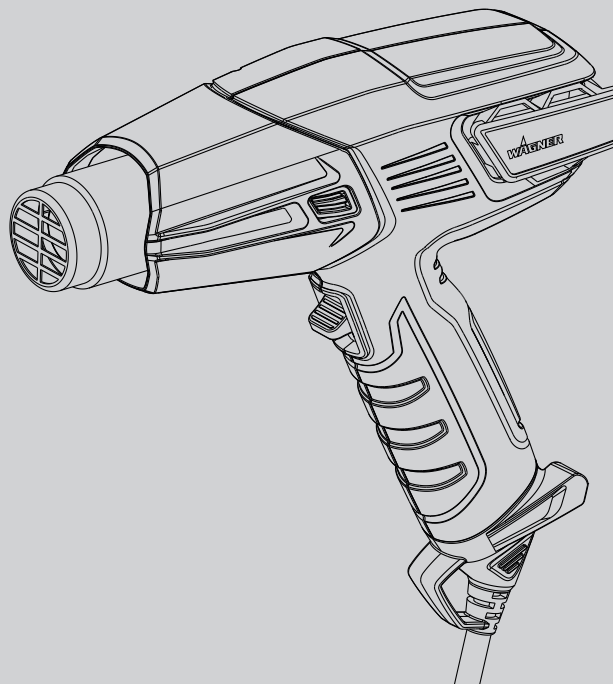





WAGNER

**FURNO HEAT GUN
F300 ELECTRONIC**
HOT AIR MULTI PURPOSE TOOL
OWNER'S MANUAL

Model: 2363342

GB DE FR NL IT ES PT DK SE NO



| | | |
|---|-------|----------------|
| EN | | 3 - 11 |
| DE | | 12 - 21 |
| FR | | 22 - 31 |
| NL | | 32 - 41 |
| IT | | 42 - 50 |
| ES | | 51 - 60 |
| PT | | 61 - 70 |
| DA | | 71 - 79 |
| SV | | 80 - 88 |
| NO | | 89 - 97 |
|    | | 100 |



**Important Safety Information • Read all safety information before operating the equipment.
Save these instructions**

To reduce the risks of fire or explosion, electrical shock and the injury to persons, read and understand all instructions included in this manual. Be familiar with the controls and proper usage of the equipment.



Indicates a hazardous situation which, if not avoided, could result in death or serious injury.

HAZARD: POISON

Extreme care should be taken when stripping paint. The peelings, residue and vapours of paint may contain lead, which is poisonous. Any paint applied to homes before 1950 is likely to contain lead. Any paint manufactured before 1977 may contain lead. Once the paint is deposited on surfaces, hand-to-mouth contact can result in the ingestion of lead. Exposure to even low levels of lead can cause irreversible brain and nervous system damage. Young and unborn children are particularly vulnerable to lead poisoning.

Before beginning any paint removal process you should determine whether the paint you are removing contains lead. This can be done by your local health department or by a professional who uses a paint analyzer to check the lead content of the paint to be removed. Lead-based paint should only be removed by a professional and should not be removed using a Heat Gun.

PREVENTION:

Move the work piece outdoors, sheltered from rain. If this is not possible, keep the work area well-ventilated. Open the windows and put an exhaust fan in one of them. Be sure the fan is moving the air from inside to outside.

- Remove or cover any carpets, rugs, furniture, clothing, cooking utensils and air ducts.
- Place drop cloths in the work area to catch any paint chips or peelings. Wear protective clothing such as extra work shirts, overalls and hats.

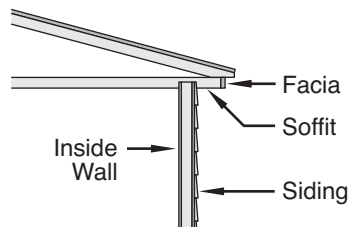
- Work in one room at a time. Furnishings should be removed or placed in the centre of the room and covered. Work areas should be sealed off from the rest of the dwelling by sealing doorways with drop cloths.
- Children, pregnant or potentially pregnant women and nursing mothers should not be present in the work area until the work is done and all cleanup is complete.
- Wear an approved dust respirator mask or a dual filter respirator mask for dust and fumes. These masks and replaceable filters are readily available at major hardware stores. Be sure that the mask fits properly. Beards and facial hair may keep masks from sealing properly. Change the filters often. Disposable paper masks are not adequate.
- Use caution when operating the Heat Gun. Keep the Heat Gun moving as excessive heat will generate fumes which can be inhaled by the operator.
- Keep food and drink out of the work area. Wash hands, arms and face and rinse mouth before eating or drinking. Do not smoke or chew gum or tobacco in the work area.
- Clean up all removed paint and dust by wet mopping the floors. Use a wet cloth to clean all walls, sills and any other surface where paint dust is clinging. Do not sweep, dry dust or vacuum. Use a high phosphate detergent of trisodium phosphate (TSP) to wash and mop areas.
- At the end of each work session, put the paint chips and debris in a double plastic bag, close it with tape or twist ties and dispose of properly.
- Remove protective clothing and work shoes in the work area to avoid carrying dust into the rest of the building. Wash work clothes separately. Wipe shoes off with a wet rag and then wash it with the work clothes. Wash hair and body thoroughly with soap and water.

HAZARD: EXPLOSION OR FIRE

This Heat Gun produces extremely high temperatures (as high as 600°C). It must be used with caution to prevent combustible material from igniting.

PREVENTION:

- Keep the Heat Gun in constant motion. Do not stop or dwell in one spot.
- Use extreme caution if the other side of the material being scraped is inaccessible, such as house siding. The hidden side could catch on fire if it becomes too hot. Some buildings contain highly flammable materials behind siding walls, floors, fascia, soffit boards and other panels. Check these areas before applying heat and do not use a heat tool if flammable materials are present or if you are unsure of the hidden material.
- Do not use near surfaces with cracks or near metal pipes or flashing. Heat may be conducted behind the work surface and ignite hidden material. The ignition of hidden materials may not be readily apparent and can result in property damage and injury.
- Do not use electric tools in the presence of flammable liquids or gases.
- Do not use near combustible materials such as dry grass, leaves, and paper which can scorch and catch fire.
- The nozzle becomes very hot. Do not lay the Heat Gun on flammable surfaces when operating the gun or immediately after switching the gun off. Always set the gun on a flat, level surface so that the nozzle tip is directed upwards and away from the supporting surface.
- Do not touch the nozzle until the tool has cooled.
- Do not use the Heat Gun as a hair dryer.
- Tools and paint scrapings become very hot. To avoid burns, use work gloves and eye protection when scraping.
- Always treat the Heat Gun with the same respect as an open flame.
- Do not use in presence of an explosive atmosphere.

**HAZARD: ELECTRIC**

May cause property damage, severe injury or loss of life.

PREVENTION:

- Do not disassemble the Heat Gun.
- Do not work in wet areas or expose the Heat Gun to rain or moisture.
- Guard against electric shock by preventing body contact with grounded surfaces such as pipes, radiators, ranges, aluminium ladders or other grounded devices.
- Do not abuse the cordset. Never carry the Heat Gun by the cordset or yank on the cordset to disconnect it from the power supply. Keep the cordset away from heat, oil and sharp edges. Inspect the cordset for wear or damage regularly.
- Use only extension cords rated for outdoor use. If an extension cord is damaged or otherwise unsuitable for use, replace it with a new extension cord.

HAZARD: GENERAL

May cause property damage or severe injury.

PREVENTION:

- Always disconnect the Heat Gun from the power supply when not in use. Store indoors in a dry place and out of the reach of unsupervised children.
- Keep your work area well lit and clean.
- Do not overreach, especially when working on ladders. Keep proper footing and balance at all times. Be certain any ladders being used are sturdy, stable, on firm ground and erected at safe working angles.
- Avoid power lines.
- Keep moveable items secured and steady while scraping.
- Always use protective eyewear when working.
- Stay alert and use common sense when operating any tool.
- Never use to thaw frozen pipes located inside walls or near combustibles. Always use reflector nozzle (P/N2366225) to thaw frozen pipes.
- Do not leave the heat gun unattended while it is switched on.
- This appliance can be used by children aged from 8 years and above and persons with reduced physical, sensory or mental capabilities or lack of experience and knowledge if they have been given

supervision or instruction concerning use of the appliance in a safe way and understand the hazards involved. Children shall not play with the appliance.

- Keep the appliance and its cord out of reach of children aged less than 8 years.

MAINS CONNECTION (UK only)

This Heat Gun has been supplied with a fused cordset. This is identified by the fuse holder in the base of the plug. Please read the following safety instructions before use:

1. If the cordset is damaged replace with a new cordset to avoid a safety hazard. Please contact Wagner customer services for a replacement cordset.
2. **NEVER** under any circumstances use the Heat Gun or cordset without the fuse cover fitted. This is the little cover fixed into the base of plug to hold the fuse in place.
3. If you lose the fuse cover then please contact any electrical dealer for a replacement or ring our helpline.
4. A replacement fuse must be rated at 13 Amps. This must be manufactured and approved to BS1362.
5. **IF IN ANY DOUBT PLEASE CONSULT A QUALIFIED ELECTRICIAN.**

MAINS CONNECTION (Non-UK)

This Heat Gun has been supplied with a cordset. If the cordset is damaged replace with a new cordset to avoid a safety hazard. Please contact Wagner customer services for a replacement cordset.

IF IN ANY DOUBT PLEASE CONSULT A QUALIFIED ELECTRICIAN.

WARNING - Use an extension cord that will accept the plug on the product. Make sure your extension cord is in good condition. When using an extension cord, be sure to use one heavy enough to carry the current your product will draw. An undersized cord will cause a drop in line voltage resulting in loss of power and overheating. A harmonised H05RR-F 3 x 1.0sq mm rubber type cord is required as a minimum for general use.

Using the Heat Gun

General Description

This Heat Gun is a quality power tool. Like any power tool, it can be dangerous when misused. Read the following instructions carefully and follow all safety precautions. It is the responsibility of the owner to use the Heat Gun properly.

Specifications

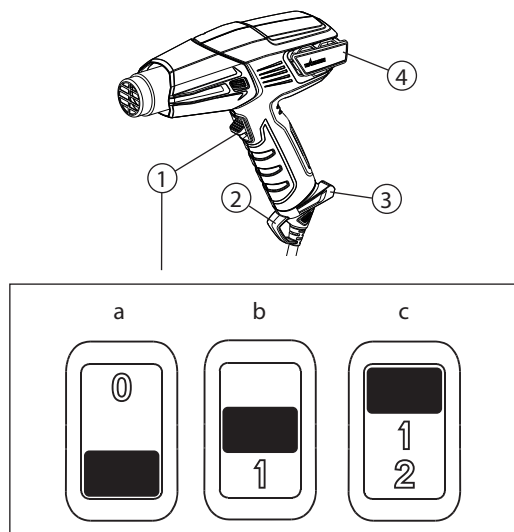
| | |
|-------------|--|
| Housing | Engineered high-impact corrosion and heat-resistant polymers |
| Wattage | 1600 Watts on HIGH, 800 Watts on LOW |
| Voltage | 220 - 240 V a.c. |
| Frequency | 50 - 60Hz |
| Heat Output | Approximately 575°C on HIGH, approximately 400°C on LOW |
| Weight | 0.72 kg |

Component Description

Features Fig. 1

- 1) Mode selector switch
 - a) 0 (OFF)
 - b) 1 (LOW)
 - c) 2 (HIGH)
- 2) Hanging hook
- 3) Handle stabilizers & cordset (removable with tool)
- 4) Rear stabilizer fins (stand)

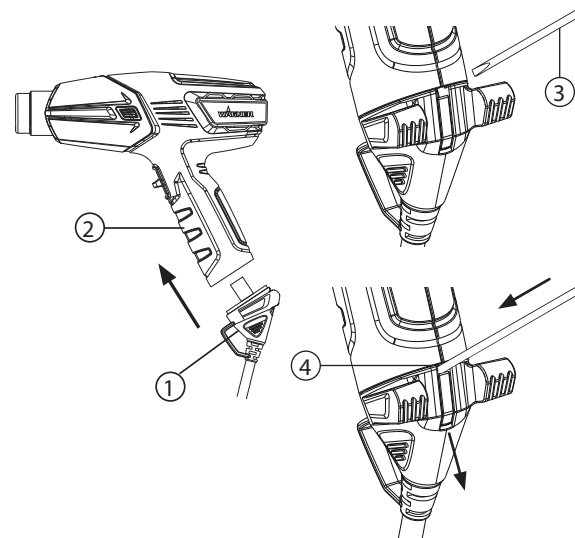
Fig 1



Attaching the cordset

The cordset (Fig. 2, 1) for the Heat Gun is delivered detached from the gun (Fig. 2, 2). To attach, line up the cord with the socket on the handle of the gun and press firmly together until you hear a click. The cord set does not need to be removed. If required to detach, insert a small screwdriver or similar tool (Fig. 2, 3) into the hole as shown (Fig. 2, 4). Once resistance is felt on the end of the tool, apply pressure to depress the release mechanism. Firmly pull the cordset away from the gun.

Fig 2



The F300 Heat Gun is one of the most versatile tools you can own. It can be used for a great variety of projects, from big DIY to small Art & Crafts jobs. For more details on multiple projects and 'how to' videos please visit our website www.wagner-group.com

| Use | | Heat | Nozzle Tip Options |
|--------------------------------------|--|----------|-----------------------------------|
| DIY | Stripping paint | HIGH | Concentrator or Wide |
| | Wall repair | LOW | Open (no tip) |
| | Drying paint | LOW | Open (no tip) |
| | Soften adhesives to remove floor tiles | LOW | Wide concentrator |
| | Bend plastic, plexiglass, formica | LOW/HIGH | Reflector |
| | Removing formica and linoleum | LOW | Wide concentrator |
| | Soften paint, caulking and putty for easier removal (use heat deflector) | HIGH | Concentrator or Wide concentrator |
| | Shrink plastic film for wrapping or weatherproofing | LOW | Wide concentrator |
| Small jobs (including repair) | Loosen rusted nuts, bolts and fittings | HIGH | Open/ concentrator |
| | Repairing jeans | LOW | Wide concentrator |
| | Burning weeds | HIGH | Concentrator |
| | Removing adhesives | LOW | Open (no tip) |
| | Waxing skis/snowboard | LOW | Wide concentrator |
| | Glass fibre work | HIGH | Concentrator or wide |

| Use | | Heat | Nozzle Tip Options |
|--------------------------|---------------------------------------|----------------|---------------------------|
| | Unfreezing pipes and locks | LOW | Reflector / open (no tip) |
| | Lighting a bbq grill | HIGH | Concentrator / BBQ Nozzle |
| | Heat concrete prior to patching | LOW/HIGH | Concentrator |
| | Defrosting refrigerator / freezer | LOW | Open (no tip) |
| | Art & Crafts | Making candles | LOW |
| Making soap | | LOW | Open (no tip) |
| Shrink wrapping presents | | LOW | Open (no tip) |
| Forming foam | | LOW | Open (no tip) |
| Cookie decoration | | LOW/HIGH | Open (no tip) |
| Automotive | Removing stickers, emblems and decals | LOW | Open (no tip) |
| | Removing dents | HIGH | Open (no tip) |
| | Removing paint | HIGH | Concentrator or Wide |
| | Applying and removing window tint | LOW | Open (no tip) |
| | Restoring bumpers | HIGH | Open (no tip) |
| Electronics | Smartphone & tablet repair | LOW | Concentrator |
| | PlayStation and Xbox repair | LOW | Concentrator |

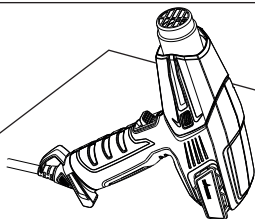
! Always read the safety information included in this manual before using the Heat Gun.

1. Plug the Heat Gun into a standard socket-outlet.
2. Turn on the Heat Gun by moving the switch to the desired setting. The motor-driven fan noise will indicate that the Heat Gun is running.
3. Always disconnect Heat Gun from the power supply at completion of task.

Hands-free operation

The Heat Gun has an integrated stand (Fig. 3) for bench top applications and for cooling down.

Fig 3



Note: Smoke may appear during the first start up due to the burning of manufacturing oils. The smoke should disperse shortly after first start up.

IMPORTANT: If the motor-driven fan in the Heat Gun does not turn on when the switch is set to either LOW or HIGH, turn the switch OFF immediately. The heating element will burn out if it is not cooled by the motor-driven fan.

Note: Always set the Heat Gun upright after it is turned off, either for a short break or for storage. Avoid laying the unit on the side after shutdown. The heat will remain in the unit and cooling will take longer. Store the unit only after the nozzle is cool. Unplug the unit before storing to prevent accidental startup.

IMPORTANT: Always protect glass when working near windows.

! Do not touch nozzle or any other tool being used when working. These become extremely hot and will cause severe burns. Wear gloves to protect hands from hot scrapings.

Stripping Paint

The Heat Gun heats up the surface and causes the paint to soften, at which time it can be scraped off easily without damaging the surface. Some paints may soften even though they do not blister; some may become rubbery, and some may require higher heat.

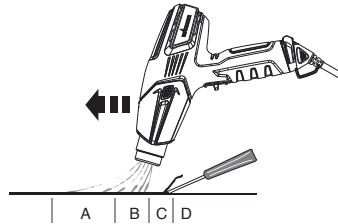
When working with several layers of paint, it speeds up the scraping process to heat the surface thoroughly, all the way to the wood. Then all the layers can be scraped at one time.

A soft wire brush may be the best tool to use for very intricate surfaces. Mineral paints and finishes, such as cement paint and porcelain, do not soften with heat, so using a heating tool will not work for paint removal.

The best method of paint removal

Move the Heat Gun slowly and steadily forward at an angle to the surface, pointing the nozzle in the direction of motion. This allows you to scrape safely outside the hot air stream and keeps the scraper and the scraped surface cooler.

- A. Warm air preheats the surface.
- B. Paint is softened by hot air.
- A + B. Deep penetration of heat over total area.
- C. Paint can be easily scraped off as soon as it is softened and the gun is moved forward.
- D. Stripped surface allowed to cool.



Note: Do not use the Heat Gun on surfaces that can be damaged by heat, such as vinyl-coated paneling, vinyl-coated siding or vinyl-coated window frames.

When removing paint from window frames, the Heat Gun will soften the putty. Be careful not to gouge the putty with the scraper. The putty will firm up after it cools.

Do not use the Heat Gun on insulating laminated window glass such as Thermopane. The glass edge expansion may break the edge seal.

When scraping fascia, do not overheat the edges of the asphalt shingles protruding over the edge of the sheathing. Too much heat will melt the asphalt.

IMPORTANT: The removal of paint by a Heat Gun is safe if the above guidelines are used, but always keep either a container of water or an ABC fire extinguisher (suitable against Class A, B and C type fires) within reach.

Cleaning and Maintenance

Keep the intake openings on the housing clean and free of obstructions. Use a soft, dry brush to clean the openings periodically. Use only mild soap and a damp cloth to clean the Heat Gun. Many household cleaners contain chemicals which could seriously damage the housing.

Do not use petroleum, turpentine, lacquer or paint thinner, dry cleaning fluids or similar products when cleaning the Heat Gun.

NEVER allow any liquid to get inside the tool or immerse any part of the tool into a liquid.

Cleaning and user maintenance shall not be made by children unless they are older than 8 years and supervised.

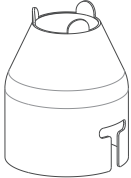
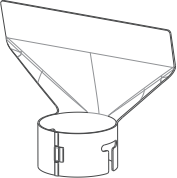
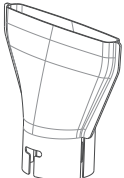

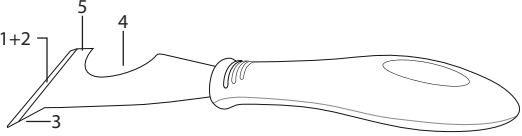
Storage

Allow the Heat Gun nozzle to cool to room temperature before placing in storage.

The nozzle will turn dark over time because of the high heat. This is normal and will not affect the performance or life of the unit.

Accessories

The following accessories may come with the Heat Gun or may be purchased separately www.wagner-group.com/service. Alternatively see back of manual for your nearest Service Centre.

| Name | Description | Name | Description |
|---|---|---------------------------------------|---|
| Concentrator Nozzle P/N2366222 |  | Glass Protection Nozzle P/N2366224 |  |
| Wide Concentrator Nozzle P/N2366223 |  | Reflector Nozzle P/N2366225 |  |
| Name | Description | | |
|  | 5-in-1 Detailed Scraper Tool P/N2366227 | | |
| | This tool has 5 functions. The blade is used to (1) scrape paint and (2) spread compound. The gouge point (3) is used to remove putty/caulk from open cracks. The curved area (4) is used to clean roller covers. The flat side (5) can be used to open paint tins. | | |

IMPORTANT: Always use gloves when handling the Heat Gun.

To attach an optional item to the Heat Gun:

1. Set the Heat Gun upright on a level surface and wait until the tip is cool.
2. Set the item onto the tip of the Heat Gun and push firmly into place by hand.

To remove an optional item from the Heat Gun:

1. Set the Heat Gun upright on a level surface and wait until the tip is cool.
2. Pull the item off the tip.

Product Registration

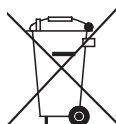
Register your product online at www.wagner-group.com/3plus1 to qualify for your additional 1 year guarantee.

3+1 years guarantee

The guarantee runs for three years, counting from the date of sale (sales slip). The guarantee is extended by a further 12 months if the device is registered online within 4 weeks of the purchase at www.wagner-group.com/3plus1. Registration is only possible if the buyer is in agreement with the data being stored that is entered during registration. The guarantee covers and is restricted to free-of-charge rectification of faults which are demonstrably attributable to the use of faulty materials in manufacture, or assembly errors; or free-of-charge replacement of the defective parts. The guarantee does not cover incorrect use or commissioning or fitting or repair work which is not stated in our operating instructions. Wearing parts are also excluded from the guarantee. The guarantee excludes commercial use. We expressly reserve the right to fulfil the guarantee. The guarantee expires if the tool is opened up by persons other than wagner service personnel. Transport damage, maintenance work and loss and damage due to faulty maintenance work are not covered by the guarantee. Under any guarantee claim, there must be proof of purchase of the tool through submission of the original receipt. Wherever legally possible, we exclude all liability for injury, damage or consequential loss, especially if the tool has been used for a purpose other than that stated in the operating instructions, commissioned or repaired other than in accordance with our operating instructions or if repairs are performed by someone who is unqualified. We reserve the right to perform any repairs in excess of those stated in our operating instructions. In case of guarantee or repair, please refer to your point of sale. This guarantee does not affect your statutory rights.

INFORMATION ON THE DISPOSAL OF WASTE ELECTRICAL AND ELECTRONIC EQUIPMENT KNOWN AS WEEE

Your attention is brought to new directives applicable to the disposal of this electrical equipment where, in accordance with legislation, this product must not be disposed of in your normal household waste. Instead it is your responsibility to dispose of this type of waste by handing it over to special designated collection points for recovery and recycling. This product is marked with a 'Wheeler bin' symbol with a cross on it to remind you of this action. The objective of this directive is to help conserve resources and ensure that it is recycled in a manner that protects human health and the environment. For more information about where you can drop off your waste please contact your local authority, take back facilities are free of charge.



CE Declaration of Conformity

This product complies with the Low Voltage Directive 2014/35/EU, EMC Directive 2014/30/EU, RoHS Directive 2011/65/EU and REACH Regulation 1907/2006.



Wichtige Sicherheitsinformationen • Lesen Sie alle Sicherheitsinformationen vor dem Betreiben des Gerätes. Speichern Sie diese Anweisungen

Zur Verringerung der Brand- oder Explosionsgefährdung, der Gefahr von elektrischen Schlägen und der Verletzung von Personen sind alle in dieser Betriebsanleitung angeführten Hinweise zu lesen und zu verstehen. Machen Sie sich mit der Steuerung und dem richtigen Einsatz des Gerätes vertraut.



Bezeichnet eine gefährliche Situation die, wenn sie nicht vermieden wird, zum Tod oder schweren Verletzungen führen kann.

GEFAHR: GIFT

Die Ablösung von Farbe sollte nur mit äußerster Vorsicht erfolgen. Die Reste, Rückstände und Dämpfe von Farben können giftiges Blei enthalten. Alle Farben, die vor 1950 auf Gebäude aufgetragen wurden, sind wahrscheinlich bleihaltig. Jede vor 1977 hergestellte Farbe kann Blei enthalten. Wenn die Farbe auf Oberflächen abgeschieden ist, kann die Berührung der Hände mit dem Mund zur Aufnahme von Blei führen. Selbst niedrige Dosen an Blei können zu irreversiblen Schädigungen des Gehirns und Nervensystems führen. Junge und ungeborene Kinder sind besonders anfällig für eine Bleivergiftung.

Bevor Sie mit irgendeiner Ablösung von Farbe beginnen, sollten Sie feststellen, ob die zu entfernende Farbe bleihaltig ist. Dies kann durch Ihr Gesundheitsamt vor Ort oder durch einen Fachmann erfolgen, der zur Überprüfung des Bleigehaltes der zu entfernenden Farbe ein Farbanalysegerät verwendet. Bleihaltige Farben sollten nur durch einen Fachmann und nicht unter Verwendung einer Heißluftpistole entfernt werden.

VORBEUGUNG:

Bringen Sie das Arbeitsstück in einen regengeschützten Außenbereich. Ist dies nicht möglich, sorgen Sie für eine gute Durchlüftung des Arbeitsbereiches. Öffnen Sie die Fenster und positionieren Sie einen Abluftventilator in eines der Fenster. Stellen Sie sicher, dass der Ventilator die Luft von innen nach außen befördert.

- Entfernen oder bedecken Sie sämtliche Teppiche, Vorleger, Möbel, Kleider, Küchenutensilien und Luftschächte.
- Bringen Sie Abdeckplanen im Arbeitsbereich an, um jegliche

Farbnasen oder -abblätterungen aufzufangen. Tragen Sie Schutzbekleidung wie z.B. extra Arbeitshemden, Overalls und Kopfbedeckungen.

- Arbeiten Sie jeweils nur in einem Raum. Möbel sollten fortgeräumt oder in die Mitte des Raums gestellt und abgedeckt werden. Die Arbeitsbereiche sollten vom Rest der Wohnstätte abgeschottet werden, indem die Türdurchgänge mit Abdeckplanen abgedichtet werden.
- Kinder, Schwangere oder potentiell Schwangere und stillende Mütter sollten sich nicht im Arbeitsbereich aufhalten, bis alle Arbeiten und Säuberungsaktionen ausgeführt worden sind.
- Tragen Sie eine zugelassene Staubatemschutzmaske oder eine Dualfilter-Atemschutzmaske für Staub und Dämpfe. Diese Masken und die austauschbaren Filter sind jederzeit bei größeren Baumärkten erhältlich. Stellen Sie sicher, dass die Maske richtig sitzt. Bärte und Gesichtshaar können verhindern, dass die Masken richtig abdichten. Wechseln Sie die Filter häufig. Einweg-Papiermasken eignen sich nicht.
- Lassen Sie bei Arbeiten mit der Heißluftpistole Vorsicht walten. Halten Sie die Heißluftpistole in Bewegung, da überschüssige Wärme Dämpfe erzeugt, die vom Anwender eingeatmet werden können.
- Halten Sie Lebensmittel und Getränke vom Arbeitsbereich fern. Waschen Sie die Hände, Arme und das Gesicht und spülen Sie den Mund, bevor Sie essen und trinken. Rauchen Sie im Arbeitsbereich nicht und kauen Sie keinen Kaugummi oder Tabak.
- Nehmen Sie die entfernte Farbe und den Staub durch Nasswischen der Böden auf. Benutzen Sie einen feuchten Lappen, um sämtliche Wände, Fensterbänke und alle anderen Oberflächen zu säubern, an denen Farbe anhaftet. Wenden Sie kein Ausfegen, Staubtrocknen oder Absaugen an. Verwenden Sie ein hoch phosphathaltiges Reinigungsmittel wie Trinatriumphosphat (TSP), um Bereiche abzuwaschen und zu scheuern.
- Geben Sie am Ende jeder Arbeitssitzung die Farbnasen und den Schmutz in einen Doppelplastikbeutel, verschließen Sie ihn mit Klebeband oder Knoten und entsorgen Sie ihn fachgerecht.

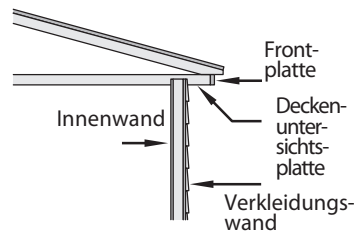
- Entfernen Sie die Schutzkleidung und die Arbeitsschuhe aus dem Arbeitsbereich, um zu vermeiden, dass Staub in das restliche Gebäude gelangt. Waschen Sie die Arbeitskleidung getrennt. Wischen Sie die Schuhe mit einem nassen Lappen ab und waschen sie ihn danach zusammen mit der Arbeitskleidung. Waschen Sie Ihre Haare und den Körper gründlich mit Seife und Wasser.

GEFAHR: EXPLOSION ODER FEUER

Diese Heißluftpistole erzeugt extrem hohe Temperaturen (bis zu 600°C). Sie muss mit Vorsicht verwendet werden, um ein Entzünden von brennbarem Material zu vermeiden.

VORBEUGUNG:

- Halten Sie die Heißluftpistole in stetiger Bewegung. Halten oder verweilen Sie nicht an einer Stelle.
- Lassen Sie äußerste Vorsicht walten, wenn die andere Seite des abzutragenden Materials unzugänglich ist, wie bei der Außenverkleidung von Häusern. Die verborgene Innenseite könnte Feuer fangen, wenn sie zu heiß wird. Einige Gebäude verfügen hinter Verkleidungswänden, Böden, Frontplatten, Deckenuntersichtsplatten und andere Paneele über brennbare Materialien. Überprüfen Sie diese Bereiche vor der Zufuhr von Wärme und benutzen Sie kein Heißluftgerät, wenn brennbare Materialien vorhanden sind oder wenn Sie sich über das verborgene Material im Unklaren sind.
- Benutzen Sie das Gerät nicht in der Nähe von Flächen mit Sprüngen oder bei Metallrohren oder Abdeckplatten. Die Hitze kann hinter die Arbeitsoberfläche geleitet werden und das verborgene Material entzünden. Das Entzünden verborgener Materialien kann nicht unmittelbar ersichtlich sein erkennbar und zu Sach- und Personenschäden führen.
- Verwenden Sie keine Elektrowerkzeuge bei entflammaren Flüssigkeiten oder Gasen.



- Benutzen Sie die Geräte nicht in der Nähe von brennbaren Materialien wie z.B. trockenes Gras, Blätter und Papier, die versengen und Feuer fangen können.
- Die Düse wird sehr heiß. Legen Sie die Heißluftpistole während des Betriebs oder unmittelbar nach Ausschalten der Pistole nicht auf brennbaren Oberflächen ab. Stellen Sie die Pistole immer auf einer flachen ebenen Oberfläche auf, damit die Düsen spitze nach oben und weg von der Oberfläche weist.
- Berühren Sie die Düse so lange nicht, bis das Gerät abgekühlt ist.
- Verwenden Sie die Heißluftpistole nicht als Haartrockner.
- Die Werkzeuge und Farbabtragungen werden sehr heiß. Zur Vermeidung von Verbrennungen benutzen Sie beim Abtragen Arbeitshandschuhe und einen Augenschutz.
- Behandeln Sie die Heißluftpistole stets mit dem selben Respekt wie dem, den Sie vor einer offenen Flamme haben.
- Nicht in Gegenwart einer explosionsfähigen Atmosphäre verwenden.

GEFAHR: ELEKTRIK

Kann zu erheblichen Sachschäden, schweren Verletzungen oder zum Tod führen.

VORBEUGUNG:

- Bauen Sie die Heißluftpistole nicht auseinander.
- Arbeiten Sie nicht in Feuchtbereichen und setzen Sie die Heißluftpistole nicht Regen oder Feuchtigkeit aus.
- Schützen Sie sich vor elektrischen Schlägen, indem Sie den Körperkontakt mit geerdeten Oberflächen wie z.B. Rohren, Heizungen, Herden, Aluminiumleitern oder anderen geerdeten Geräten vermeiden.
- Gebrauchen Sie den Kabelsatz nicht unsachgemäß. Tragen Sie die Heißluftpistole niemals am Kabelsatz oder reißen Sie am Kabelsatz, um ihn von der Stromversorgung zu trennen. Halten Sie den Kabelsatz von Hitze, Öl und scharfen Kanten entfernt. Untersuchen Sie den Kabelsatz regelmäßig auf Verschleiß und Beschädigungen.
- Benutzen Sie nur für den Außeneinsatz ausgelegte Verlängerungskabel. Wenn ein Verlängerungskabel beschädigt oder anderweitig für den Gebrauch ungeeignet wird, ersetzen sie dieses durch ein neues Verlängerungskabel.

GEFAHR: ALLGEMEINES

Kann zu erheblichen Sachschäden oder schweren Verletzungen führen.

VORBEUGUNG:

- Trennen Sie die Heißluftpistole bei Nichtverwendung immer vom Stromnetz. Lagern Sie diese drinnen an einem trockenen Ort, der für unbeaufsichtigte Kinder nicht erreichbar ist.
- Halten Sie Ihren Arbeitsbereich gut ausgeleuchtet und sauber.
- Übernehmen Sie sich nicht, insbesondere bei der Arbeit auf Leitern. Achten Sie stets auf sicheren Stand und gute Balance. Überzeugen Sie sich, dass alle verwendeten Leitern robust und stabil sind, auf festem Grund stehen und mit sicheren Arbeitswinkeln aufgerichtet sind.
- Umgehen Sie Stromleitungen.
- Halten Sie beim Abtragen bewegliche Gegenstände gesichert und stabil.
- Verwenden Sie bei der Arbeit immer einen Augenschutz.
- Seien Sie beim Betrieb jedes Werkzeugs achtsam und gebrauchen Sie Ihren gesunden Menschenverstand.
- Verwenden Sie das Gerät nie zum Auftauen eingefrorener Rohre, die sich innerhalb von Wänden oder in der Nähe von Brennstoffen befinden. Verwenden Sie stets die Reflektordüse (P/N2366225) zum Auftauen eingefrorener Rohre.
- Lassen Sie die Heißluftpistole nicht unbeaufsichtigt, wenn sie eingeschaltet ist.
- Dieses Gerät eignet sich für die Verwendung von Kindern ab 8 Jahren sowie von Personen mit eingeschränkten körperlichen, sensorischen oder geistigen Fähigkeiten oder die nicht über ausreichende Erfahrung und Kenntnisse verfügen, wenn sie eine Überwachung oder Einführung im sicheren Umgang mit dem Gerät erhalten und sie die damit verbundenen Risiken verstehen. Kinder dürfen mit dem Gerät nicht spielen.
- Halten Sie das Gerät und das Kabel außerhalb der Reichweite von Kindern unter 8 Jahren.

NETZANSCHLUSS (Nur UK)

Diese Heißluftpistole ist mit einem abgesicherten Kabelsatz ausgeliefert worden. Dies wird durch den Sicherungshalter in der Basis des Steckers gekennzeichnet. Lesen Sie bitte die folgenden Sicherheitshinweise vor der Benutzung:

1. Sollte der Kabelsatz beschädigt sein, ersetzen sie ihn durch einen neuen Kabelsatz, um Gefahren zu vermeiden. Kontaktieren Sie bitte den Kundendienst von Wagner für einen Austausch-Kabelsatz.
2. Benutzen Sie **NIEMALS** und unter keinen Umständen die Heißluftpistole oder den Kabelsatz ohne den Einbau der Sicherheitsabdeckung. Dabei handelt es sich um den kleinen Deckel, der auf der Basis des Steckers angebracht ist und die Sicherung in ihrer Aufnahme hält.
3. Sollten Sie die Sicherheitsabdeckung verlieren, wenden Sie sich für den Austausch an einen Elektroverkäufer oder rufen Sie unsere Servicenummer an.
4. Beim Austausch muss eine 13 A-Sicherung eingesetzt werden. Diese muss gemäß BS1362 hergestellt und zugelassen sein.
5. **BESTEHEN ZWEIFEL JEDER ART, WENDEN SIE SICH AN EINEN FACHELEKTRIKER.**

STROMANSCHLUSS (Nicht-UK)

Diese Heißluftpistole ist mit einem Kabelsatz ausgeliefert worden. Sollte der Kabelsatz beschädigt sein, ersetzen sie ihn durch einen neuen Kabelsatz, um Gefahren zu vermeiden. Kontaktieren Sie bitte den Kundendienst von Wagner für einen Austausch-Kabelsatz.

BESTEHEN ZWEIFEL JEDER ART, WENDEN SIE SICH AN EINEN FACHELEKTRIKER.

WARNUNG - Verwenden Sie ein Verlängerungskabel, das den Stecker an dem Produkt aufnimmt. Vergewissern Sie sich, dass Ihr Verlängerungskabel in gutem Zustand ist. Bei Verwendung eines Verlängerungskabels stellen Sie sicher, dass es stark genug ausfällt, um den Strom zu leiten, den Ihr Produkt aufnimmt. Ein unterdimensioniertes Kabel verursacht einen Abfall der Netzspannung, was zu Leistungsverlust und Überhitzung führt. Ein abgestimmtes H05RR-F 3 x 1,0 mm² Gummikabel ist als Mindestanforderung zum allgemeinen Gebrauch notwendig.

Verwendung der Heißluftpistole

Allgemeine Beschreibung

Diese Heißluftpistole ist ein Qualitäts-Elektrowerkzeug. Wie jedes Elektrogerät kann es sich bei missbräulicher Verwendung als gefährlich erweisen. Lesen Sie die folgenden Anweisungen aufmerksam und befolgen Sie alle Sicherheitsmaßnahmen. Der Anwender ist für den ordnungsgemäßen Gebrauch der Heißluftpistole verantwortlich.

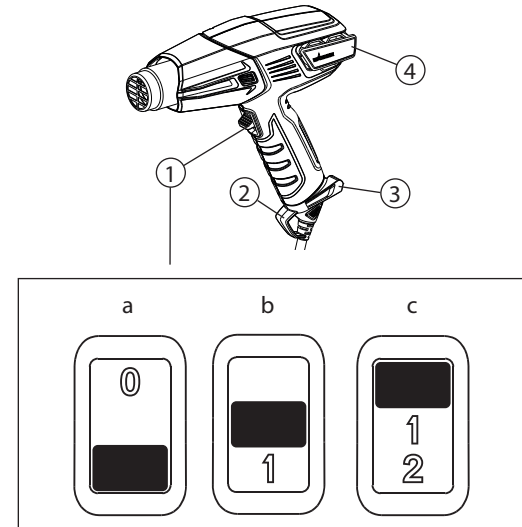
Spezifikationen

| | |
|----------------------|---|
| Gehäuse | Korrosions- und hitzebeständige Polymere mit hoher Schlagfestigkeit |
| Elektrische Leistung | 1600 Watt bei HOCH, 800 Watt bei NIEDRIG |
| Spannung | 220 - 240 V Wechselstrom |
| Frequenz | 50 - 60 Hz |
| Wärmeleistung | Etwa 575°C bei HOCH, etwa 400°C bei NIEDRIG |
| Gewicht | 0,72 kg |

Beschreibung der Komponenten

| Merkmale Abb. 1 |
|---|
| 1) Moduswählschalter a) 0 (AUS) b) 1 (NIEDRIG) c) 2 (HOCH) |
| 2) Aufhängehaken |
| 3) Griffstabilisatoren & Kabelsatz (per Werkzeug entfernbar) |
| 4) Hintere Stabilisatorlamellen (Ständer) |

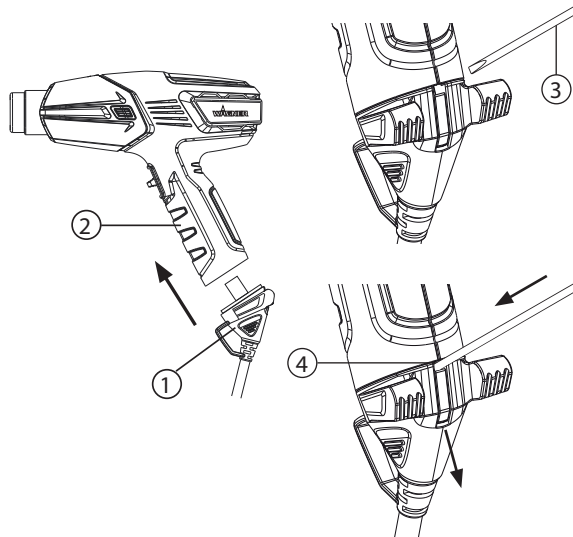
Abb. 1



Den Kabelsatz anbringen

Der Kabelsatz (Abb. 2, 1) für die Heißluftpistole wird als nicht an der Pistole angebracht geliefert (Abb. 2, 2). Um ihn anzubringen, richten Sie den Satz an dem Sockel des Pistolengriffs aus und drücken Sie ihn solange fest hinein, bis Sie einen Klick vernehmen. Der Kabelsatz muss nicht mehr entfernt werden. Falls er abgenommen werden muss, führen Sie einen kleinen Schraubendreher oder ein ähnliches Werkzeug (Abb. 2, 3) wie gezeigt (Abb. 2, 4) in das Loch ein. Wenn ein Widerstand am Werkzeugende fühlbar ist, führen Druck zu, um den Auslösemechanismus niederzudrücken. Ziehen Sie den Kabelsatz fest von der Pistole ab.

Abb. 2



Die F300-Heißluftpistole ist eines der vielseitigsten Werkzeuge, in dessen Besitz Sie sein können. Sie kann für eine große Vielzahl von Projekten eingesetzt werden, die von großen Heimwerkeraufgaben bis zu kleinen Kunst- und Handwerksarbeiten reichen. Für weitere Einzelheiten zu verschiedenen Projekten und Anleitungsvideos besuchen Sie unsere Webseite www.wagner-group.com.

| Verwendung | Hitze | Düsenaufsatz | |
|---|--|------------------|---------------------------------------|
| Heimwerken | Farbe ablösen | HOCH | Konzentratordüse oder Breitstrahldüse |
| | Wandreparaturen | NIEDRIG | Ohne |
| | Farbe trocknen | NIEDRIG | Ohne |
| | Weicht Klebstoffe zur Entfernung von Bodenfliesen auf | NIEDRIG | Breitstrahldüse |
| | Kunststoff, Plexiglas, Resopal biegen | NIEDRIG/ HOCH | Reflektordüse |
| | Resopal und Linoleum entfernen | NIEDRIG | Breitstrahldüse |
| | Weicht Farbe, Dichtungsmasse und Fensterkitt zur einfacheren Entfernung an (Wärmeabweiser verwenden) | HOCH | Zentrierdüse oder Breitstrahldüse |
| | Plastikfolien zum Verpacken oder wetterfest Machen schrumpfen | NIEDRIG | Breitstrahldüse |
| Kleinarbeiten (einschließlich Reparatur) | Verrostete Muttern, Schrauben und Anschlussstücke lösen | HOCH | Ohne / Zentrierdüse |
| | Jeans reparieren | NIEDRIG | Breitstrahldüse |
| | Unkraut verbrennen | HOCH | Zentrierdüse |
| | Klebstoffe entfernen | NIEDRIG | Offen (keine Spitze) |
| | Skier/Snowboard wachsen | NIEDRIG | Breitstrahldüse |
| | Glasfaserarbeiten | HOCH | Zentrierdüse oder Breitstrahldüse |
| | Rohre und Schlösser auftauen | NIEDRIG | Reflektordüse / Ohne |

| Verwendung | | Hitze | Düsenaufsatz |
|------------------------|--|---------------|-----------------------------------|
| | BBQ-Grill anzünden | HOCH | Zentrierdüse / BBQ-Düse |
| | Wärmebehandelter Beton vor der Reparatur | NIEDRIG/ HOCH | Zentrierdüse |
| | Kühlschrank / Tiefkühler auftauen | NIEDRIG | Ohne |
| Kunsthandwerk | Kerzen herstellen | NIEDRIG | Ohne |
| | Seife herstellen | NIEDRIG | Ohne |
| | Geschenke in Schrumpffolie | NIEDRIG | Ohne |
| | Schaum bilden | NIEDRIG | Ohne |
| | Dekoration von Cookies | NIEDRIG/ HOCH | Ohne |
| KFZ-Anwendungen | Etiketten, Logos und Aufkleber entfernen | NIEDRIG | Ohne |
| | Beulen entfernen | HOCH | Ohne |
| | Farbe und Lacke entfernen | HOCH | Zentrierdüse oder Breitstrahldüse |
| | Fenstertönung auftragen und entfernen | NIEDRIG | Ohne |
| | Stoßfänger wiederherstellen | HOCH | Ohne |
| Elektronik | Smartphone- & Tablet-Reparatur | NIEDRIG | Zentrierdüse |
| | PlayStation- und Xbox-Reparatur | NIEDRIG | Zentrierdüse |



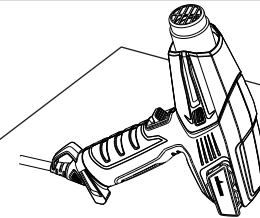
Lesen Sie stets die in dieser Betriebsanleitung angeführten Sicherheitsinformationen, bevor Sie die Heißluftpistole verwenden.

1. Stecken Sie die Heißluftpistole in eine Standardsteckdose.
2. Schalten Sie die Heißluftpistole ein, indem Sie den Schalter in die gewünschte Stellung bewegen. Das Geräusch des motorbetriebenen Gebläses zeigt an, dass die Heißluftpistole arbeitet.
3. Trennen Sie die Heißluftpistole nach Fertigstellung einer Aufgabe immer vom Stromnetz.

Freihandbedienung

Die Heißluftpistole hat einen integrierten Ständer (Abb. 3) für Werkbankanwendungen sowie für die Abkühlung.

Abb. 3



Hinweis: Beim ersten Einschalten kann sich wegen der Verbrennung von Fertigungsölen Rauch entwickeln. Der Rauch sollte sich kurz nach dem ersten Einschalten auflösen.

WICHTIG: Wenn sich der motorbetriebene Lüfter in der Heißluftpistole nicht einschaltet, falls der Schalter entweder auf NIEDRIG oder auf HOCH gestellt wird, ist der Schalter sofort auf AUS zu stellen. Das Heizelement brennt durch, wenn es nicht von dem motorbetriebenen Lüfter gekühlt wird.

Hinweis: Stellen Sie die Heißluftpistole nach dem Ausschalten immer aufrecht ab, entweder bei einer kurzen Unterbrechung oder zur Lagerung. Vermeiden Sie, das Gerät nach dem Abschalten auf die Seite zu legen. Die Hitze verbleibt so länger im Gerät und die Abkühlung verlängert sich. Lagern Sie das Gerät erst ein, wenn die Düse kalt ist. Trennen Sie das Gerät vor der Einlagerung vom Netz, um eine unbeabsichtigte Inbetriebnahme zu verhindern.

WICHTIG: Schützen Sie bei der Arbeit in der Nähe von Fenstern immer das Glas.



Berühren Sie nicht die Düse oder andere bei der Arbeit verwendete Bauteile. Diese werden sehr heiß und führen zu ersten Verbrennungen. Tragen Sie für den Schutz der Hände vor heißen Abtragungen Handschuhe.

Farbe ablösen

Die Heißluftpistole erhitzt die Oberfläche und bewirkt ein Aufweichen der Farbe, die dann einfach und ohne die Oberfläche zu beschädigen abgetragen werden kann. Einige Farben können aufgeweicht sein, obwohl sie keine Blasen werfen; einige Farben können gummiartig werden und andere können mehr Hitze erfordern.

Bei der Arbeit an mehreren Farbschichten wird der Abtragungsprozess dadurch beschleunigt, dass die Oberfläche gründlich bis hinunter zum Holz erwärmt wird. Dann können alle Schichten gleichzeitig abgetragen werden.

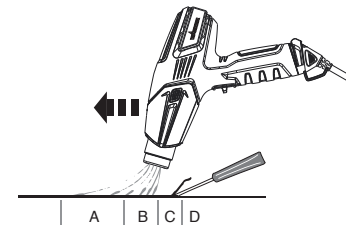
Eine weiche Drahtbürste kann für die Verwendung bei äußerst

schwierigen Oberflächen das beste Werkzeug sein. Mineralische Farben und Beschichtungen wie z.B. Zementfarbe und Porzellan erweichen nicht durch Wärme, weshalb hier ein Heißluftgerät zur Farbentfernung nicht funktioniert.

Die beste Methode um Farbe zu entfernen

Bewegen Sie die Heißluftpistole langsam und stetig unter einem Winkel zu der Oberfläche, bei dem die Düse zur Bewegungsrichtung hin weist, nach vorne. Dadurch können Sie sicher außerhalb des heißen Luftdurchsatzes abtragen und sowohl den Schaber wie die abgetragene Oberfläche kühler halten.

- A. Warme Luft heizt die Oberfläche vor.
- B. Farbe wird durch die heiße Luft aufgeweicht.
- A + B. Tiefe Wärmeeindringung über die gesamte Fläche.
- C. Die Farbe kann einfach abgetragen werden, sobald sie aufgeweicht ist und die Pistole nach vorne bewegt wird.
- D. Die nackte Oberfläche kann abkühlen.



Hinweis: Verwenden Sie die Heißluftpistole nicht auf Oberflächen, die durch Hitze beschädigt werden können, wie z.B. vinylbeschichtete Paneele, vinylbeschichtete Verkleidungen oder vinylbeschichtete Fensterrahmen. Bei der Farbabtragung von Fensterrahmen weicht die Heißluftpistole den Fensterkitt auf. Achten Sie darauf, mit dem Schaber nicht den Fensterkitt herauszuholen. Der Fensterkitt wird wieder fest, nachdem er abgekühlt ist.

Benutzen Sie die Heißluftpistole nicht an Isolier-Verbundglasfenstern wie z.B. Thermopane. Die Ausdehnung der Glaskante kann die Randabdichtung aufbrechen.

Beim Abtragen von Frontplatten überhitzen Sie die Kanten der Asphaltshindeln nicht, die über den Rand der Verkleidung vorstehen. Zu viel Hitze schmilzt den Asphalt.

keine Trockenreinigungsflüssigkeiten oder ähnliche Produkte für die Reinigung der Heißluftpistole.

Lassen Sie **NIEMALS** zu, dass Flüssigkeiten in das Gerät eindringen oder dass Geräteteile in Flüssigkeit eingetaucht werden.

Reinigungs- und Wartungsaufgaben dürfen nicht durch Kinder erfolgen, es sei denn, dass sie älter als 8 Jahre sind und überwacht werden.

Aufbewahrung

Bevor Sie die Heißluftpistole einlagern, ermöglichen Sie, dass die Düse auf Raumtemperatur abkühlen kann.

Über die Zeit hinweg wird die Düse aufgrund der großen Hitze dunkler werden. Das ist normal und beeinträchtigt nicht die Leistungsfähigkeit oder die Lebensdauer des Geräts.

WICHTIG: Die Farbentfernung mittels einer Heißluftpistole ist sicher, sofern die obigen Richtlinien beachtet werden. Halten Sie jedoch immer einen Behälter mit Wasser oder einen ABC-Feuerlöscher (der sich für Brände der Brandklasse A, B und C eignet) in Reichweite.


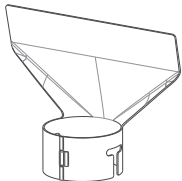
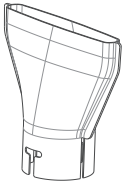

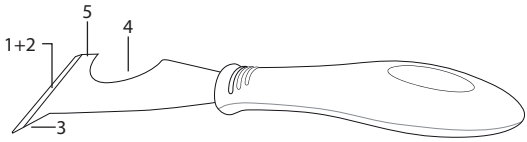
Reinigung und Wartung

Halten Sie die Eintrittsöffnungen am Gehäuse sauber und frei von Verstopfungen. Verwenden Sie eine weiche trockene Bürste, um die Öffnungen regelmäßig zu reinigen. Benutzen Sie für die Reinigung der Heißluftpistole nur milde Seife und ein feuchtes Tuch. Viele Haushaltsreinigungsmittel enthalten Chemikalien, die das Gehäuse beschädigen könnten.

Verwenden Sie kein Petroleum, Terpentin, Lack, Farbverdünner und

Zubehör

Das folgende Zubehör kann mit der Heißluftpistole ausgeliefert oder getrennt davon unter www.wagner-group.com/service erworben werden. Wahlweise findet sich auf der Rückseite der Betriebsanleitung Ihr nächstgelegenes Service Center.

| Bezeichnung | Beschreibung | Bezeichnung | Beschreibung |
|---|---|-----------------------------|---|
| Zentrierdüse P/N2366222 |  | Abstrahldüse P/N2366224 |  |
| Breitstrahldüse P/N2366223 |  | Reflektordüse P/N2366225 |  |
| Bezeichnung | Beschreibung | | |
|  | <p>5-in-1 Schaber-Werkzeug P/N2366227</p> <p>Dieses Werkzeug verfügt über 5 Funktionen. Die Klinge wird zum (1) Abtragen von Farbe und (2) Ausbreiten von Zusammensetzungen verwendet. Die Ausstechspitze (3) wird zum Entfernen von Kitt/Fensterkitt aus offenen Sprüngen benutzt. Die gebogene Fläche (4) wird zum Reinigen der Rollenabdeckungen verwendet. Die flache Seite (5) kann zum Öffnen von Farbdosen benutzt werden.</p> | | |

WICHTIG: Tragen Sie bei der Bedienung der Heißluftpistole immer Handschuhe.

Um ein optionales Bauteil an der Heißluftpistole anzubringen:

1. Stellen Sie die Heißluftpistole aufrecht auf eine ebene Oberfläche und warten Sie ab, bis sich die Spitze abgekühlt hat.
2. Bringen Sie das Bauteil an der Spitze der Heißluftpistole an und drücken Sie es per Hand fest.

Um ein optionales Bauteil von der Heißluftpistole zu entfernen:

1. Stellen Sie die Heißluftpistole aufrecht auf eine ebene Oberfläche und warten Sie ab, bis sich die Spitze abgekühlt hat.
2. Ziehen Sie das Bauteil von der Spitze ab.

Produktregistrierung

Registrieren Sie Ihr Produkt online unter www.wagner-group.com/3plus1, um sich für 1 zusätzliches Jahr Garantie zu qualifizieren.

3+1 Jahre Garantie

Die Garantie beträgt 3 Jahre ab dem Verkaufsdatum (Kaufbeleg). Die Garantie verlängert sich um weitere 12 Monate, wenn das Gerät innerhalb von 4 Wochen nach dem Kauf unter www.wagner-group.com/3plus1 online registriert wird. Eine Registrierung ist nur dann möglich, wenn der Käufer sich mit der Speicherung seiner dort einzugebenden Daten einverstanden erklärt. Die Garantie umfasst und beschränkt sich auf die kostenlose Behebung der Mängel, die nachweisbar auf die Verwendung von nicht einwandfreiem Material bei der Herstellung oder auf Montagefehler zurückzuführen sind; oder den kostenfreien Austausch der fehlerhaften Teile. Die Garantie erstreckt sich nicht auf unsachgemäße Verwendung oder Inbetriebnahme oder Montagen oder Reparaturen, die nicht in unserer Bedienungsanleitung angegeben sind. Verschleißteile sind von der Garantie ausgeschlossen. Die Garantie gilt nicht bei gewerblichem Einsatz des Geräts. Wir behalten uns ausdrücklich das Recht vor, die Garantie zu erfüllen. Die Garantie erlischt, wenn das Werkzeug von anderen Personen als dem Kundendienstpersonal von Wagner geöffnet wird. Transportschäden, Schäden durch Wartungsarbeiten, Verluste sowie Schäden aufgrund fehlerhafter Wartung sind nicht durch die Garantie abgedeckt. Für die Inanspruchnahme der Garantie muss der Kauf des Werkzeugs durch Vorlage der Originalrechnung nachgewiesen werden. Soweit gesetzlich möglich, schließen wir jede Haftung für Verletzungen, Schäden oder Folgeschäden insbesondere dann aus, wenn das Werkzeug für einen anderen als den in der Betriebsanleitung angegebenen Zweck genutzt oder überlassen, oder nicht in Übereinstimmung mit unserer Betriebsanleitung repariert wurde oder die Reparaturen von nicht ausreichend qualifiziertem

Personal durchgeführt werden. Wir behalten uns das Recht vor, nur die Reparaturen durchzuführen, die in unserer Bedienungsanleitung angegeben werden. Im Falle der Inanspruchnahme der Garantie oder für Reparaturen wenden Sie sich bitte an Ihre Verkaufsstelle. Diese Garantie hat keinen Einfluss auf Ihre gesetzlichen Rechte.

INFORMATIONEN ZUR ENTSORGUNG VON ELEKTRO- UND ELEKTRONIK-ALTGERÄTEN GEMÄSS WEEE-RICHTLINIE

Es gelten neue Richtlinien für die Entsorgung von elektrischen Geräten, nach denen dieses Produkt gemäß den Rechtsvorschriften nicht über den normalen Hausmüll entsorgt werden darf. Stattdessen fällt es in Ihren Verantwortungsbereich, diese Art von Abfällen durch Abgabe an speziellen Sammelstellen zur Wiederverwertung und für das Recycling zu entsorgen. Dieses Produkt ist mit dem Symbol eines durchgestrichenen 'Mülleimers' gekennzeichnet, um Sie darauf hinzuweisen. Das Ziel dieser Richtlinie ist es, Ressourcen zu schonen und sicherzustellen, dass die Geräte so recycelt werden, dass die menschliche Gesundheit und die Umwelt geschützt werden. Weitere Informationen, wo Sie Recycling-Stellen für die unentgeltliche Entsorgung Ihrer Altgeräte finden können, erhalten Sie bei Ihren örtlichen Behörden.



CE-Konformitätserklärung

Dieses Produkt entspricht den Niederspannungsrichtlinien 2014/35/EU, der EMV-Richtlinie 2014/30/EU, der RoHS-Richtlinie 2011/65/EU und der REACH-Verordnung 1907/2006.



Informations importantes relatives à la sécurité • Veuillez lire toutes les informations relatives à la sécurité avant d'utiliser l'équipement. Conservez précieusement ces instructions.

Pour réduire les risques d'incendie ou d'explosion, de choc électrique et de blessures, il est indispensable de lire et de comprendre toutes les instructions de ce manuel. Vous devez vous familiariser avec les commandes et les consignes d'utilisation de l'équipement.



Ce symbole signale une situation dangereuse qui, si elle n'est pas évitée, est susceptible d'entraîner des blessures graves voire mortelles.

DANGER : POISON

Le décapage de la peinture doit être réalisé avec une extrême prudence. Les parties décollées, les déchets et les vapeurs de peinture peuvent contenir du plomb qui est toxique. Toutes les peintures domestiques appliquées avant 1950 sont susceptibles de contenir du plomb. Toute peinture fabriquée avant 1977 peut contenir du plomb. Lorsque la peinture est déposée sur les surfaces, un contact des mains à la bouche peut se traduire par l'ingestion de plomb. Même de faibles niveaux d'exposition au plomb peuvent provoquer des dommages irréversibles pour le cerveau et le système nerveux. Les jeunes enfants et les fœtus sont particulièrement vulnérables à l'intoxication par le plomb.

Avant de commencer une opération de retrait de peinture, il faut déterminer si la peinture concernée contient du plomb. Cette détermination peut être réalisée par un service d'hygiène local ou par un professionnel utilisant un analyseur de peinture pour vérifier la teneur en plomb de la peinture à décoller. Seul un professionnel peut retirer une peinture contenant du plomb et il ne faut pas utiliser de pistolet à air chaud.

PRÉVENTION :

Déplacez l'objet à décaper à l'extérieur en veillant à l'abriter de la pluie. Si ce n'est pas possible, la zone de travail doit être bien aérée. Ouvrez les fenêtres et placez un ventilateur d'évacuation dans l'une d'entre elles. Contrôlez que le ventilateur évacue l'air de l'intérieur vers l'extérieur.

- Les moquettes, tapis, meubles, vêtements, ustensiles de cuisine et les conduits d'air doivent être retirés de la zone de travail ou recouverts d'une protection.

- Déposez des toiles de protection dans la zone de travail pour recueillir tous les éclats ou lambeaux de peinture. Portez des vêtements de protection, comme une chemise de travail, une combinaison et un chapeau ou casquette.
- Le travail doit se faire dans une seule pièce à la fois. Les meubles doivent être déplacés en dehors de la pièce ou rassemblés au centre de la pièce et être complètement recouverts. Les zones de travail doivent être fermées hermétiquement par rapport aux autres pièces de l'habitation en bouchant les embrasures de portes avec des bâches de chantier.
- Les enfants, les femmes enceintes ou susceptibles de l'être ainsi que les femmes qui allaitent ne doivent pas pénétrer dans la zone de travail tant que le travail et le nettoyage ne sont pas terminés.
- Portez un masque respiratoire antipoussières agréé ou un masque respiratoire à double filtre pour les poussières et les fumées. Vous trouverez facilement ces masques et leurs filtres de rechange dans les magasins de bricolage. Assurez-vous que le masque est bien ajusté. Les barbes et autres pilosités faciales peuvent empêcher un ajustement étanche du masque. Changez les filtres fréquemment. Les masques jetables en papier ne sont pas adaptés.
- Utilisez le pistolet à air chaud avec prudence. Déplacez le pistolet constamment car une chaleur excessive dégagera des fumées qui peuvent être inhalées par l'opérateur.
- Il ne doit pas y avoir d'aliments ni de boissons présents dans la zone de travail. Veillez à laver vos mains, vos bras et le visage et à rincer votre bouche avant de manger ou de boire. Ne fumez pas, ne chiquez pas du tabac et ne mâchez pas de gomme dans la zone de travail.
- Nettoyez toute la peinture tombée au sol et la poussière en passant une serpillière humide sur les sols. Utilisez un chiffon humide pour nettoyer tous les murs, seuils de portes et fenêtres et autres surfaces où la poussière de peinture a pu se déposer. N'utilisez pas de balai, d'aspirateur ou de chiffon sec pour éliminer la poussière. Utilisez un détergent à base de phosphate trisodique, c'est-à-dire à forte teneur en phosphates, pour laver les zones.
- A la fin de chaque séance de travail, mettez les éclats de peinture et

les débris dans un sac en plastique double, fermez-le avec de l'adhésif ou tordez les liens et mettez-le sac au rebut selon les réglementations applicables.

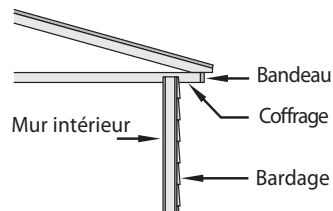
- Retirez vos vêtements de protection et vos chaussures de travail dans la zone de travail pour éviter de transporter de la poussière dans le restant du bâtiment. Lavez les vêtements de travail à part. Essuyez les chaussures avec un chiffon humide et lavez-le celui avec les vêtements de travail. Lavez bien votre corps et vos cheveux avec de l'eau et du savon.

DANGER: EXPLOSION OU INCENDIE

Ce pistolet à air chaud génère des températures très élevées (pouvant atteindre 600 °C). Il doit être utilisé avec précaution pour éviter que des matières combustibles ne prennent feu.

PRÉVENTION :

- Gardez toujours en mouvement le pistolet à air chaud. Ne vous arrêtez pas sur une zone.
- Faites preuve d'une extrême prudence si l'autre face du matériau à décaper est inaccessible, comme dans le cas du bardage d'une maison. La partie masquée pourrait prendre feu si la surface devenait trop chaude. Certains bâtiments contiennent des matières extrêmement inflammables derrière les parois de bardage, les sols, les et gouttières, les panneaux de coffrage et autres panneaux. Vérifiez ces zones avant d'appliquer la chaleur et n'utilisez pas d'outil générateur de chaleur si des matières inflammables sont présentes ou si vous ne savez pas précisément quel est le matériau caché.
- N'utilisez pas le pistolet à proximité de surfaces fissurées ou près de tuyaux en métal ou en cas d'éclairs. Il y a un risque de conduction de la chaleur derrière la surface de travail et d'inflammation du matériau caché. Il se peut que l'inflammation du matériau caché ne soit pas immédiatement visible et elle peut entraîner des dommages matériels et corporels.



- N'utilisez pas d'outils électriques en présence de liquides ou de gaz inflammables.
- N'utilisez pas le pistolet à proximité de matières combustibles, comme de l'herbe sèche, des feuilles et du papier qui peuvent roussir et prendre feu.
- La buse devient très chaude. Ne posez pas le pistolet à air chaud sur des surfaces inflammables lorsque vous utilisez le pistolet ou immédiatement après l'avoir éteint. Posez toujours le pistolet sur une surface plate et plane de manière que l'extrémité de la buse soit pointée directement vers le haut et soit distante de la surface d'appui.
- Ne touchez pas la buse tant que l'outil n'a pas refroidi.
- N'utilisez pas le pistolet à air chaud comme si c'était un sèche-cheveux.
- Les outils et les copeaux de peinture deviennent très chauds. Pour éviter les brûlures, utilisez des gants de travail et des protections oculaires pendant le grattage.
- Traitez toujours le pistolet à air chaud avec la même prudence que s'il s'agissait d'une flamme nue.
- Ne pas utiliser dans une atmosphère explosive.

DANGER: ÉLECTRIQUE

Peut provoquer des dommages matériels, des blessures graves ou un décès.

PRÉVENTION :

- Ne démontez pas le pistolet à air chaud.
- Ne travaillez pas dans des zones mouillées et n'exposez pas le pistolet à air chaud à la pluie ou à l'humidité.
- Protégez-vous de l'électrocution en évitant tout contact corporel avec des surfaces mises à la terre telles que des tuyaux, des radiateurs, des cuisinières, des échelles en aluminium ou d'autres appareils mis à la terre.
- Ne malmenez pas le cordon d'alimentation. Ne portez jamais le pistolet à air chaud par le cordon d'alimentation et ne tirez pas sur le cordon pour le débrancher de la prise. Tenez le cordon d'alimentation éloigné d'une source de chaleur, d'huile ou de bords coupants. Inspectez le cordon régulièrement pour déceler les signes d'usure ou de détérioration.
- Utilisez uniquement des rallonges électriques conçues pour un usage

extérieur. Si une rallonge électrique est endommagée ou inutilisable, remplacez-la par une rallonge neuve.

DANGER : GÉNÉRALITÉS

Peut provoquer des dommages matériels ou des blessures graves.

PRÉVENTION :

- Le pistolet à air chaud doit toujours être débranché de la prise d'alimentation lorsqu'il n'est pas utilisé. Conservez le pistolet dans un endroit sec à l'intérieur et hors de la portée d'enfants qui ne sont pas sous la surveillance d'adultes.
- La zone de travail doit toujours être propre et bien éclairée.
- Ne tendez pas le bras trop loin, particulièrement lorsque vous travaillez sur une échelle. Veillez à toujours avoir une position vous permettant de garder votre équilibre. Assurez-vous que les échelles utilisées sont solides, stables, placées sur un sol ferme et dépliées à des angles permettant un travail dans des conditions de sécurité.
- Évitez les lignes électriques.
- Pendant le grattage, veillez à la stabilité et la sécurité des éléments déplaçables.
- Portez toujours des protections oculaires pour travailler.
- Restez vigilant et faites preuve de bon sens lorsque vous utilisez un outil.
- N'utilisez jamais l'appareil pour dégeler des tuyaux gelés placés à l'intérieur de murs ou à proximité de matières combustibles. Utilisez toujours une buse à réflecteur (Réf. 2366225) pour dégeler les tuyaux gelés.
- Ne laissez pas le pistolet à air chaud sans surveillance lorsqu'il est allumé.
- Cet appareil peut être utilisé par des enfants âgés d'au moins 8 ans et par des personnes présentant des capacités physiques, sensorielles ou mentales limitées ou disposant d'une expérience ou de connaissances insuffisantes à condition que l'utilisation ait lieu sous la supervision d'une personne responsable ou après avoir reçu des instructions leur permettant de l'utiliser en toute sécurité et de comprendre les risques associés. Les enfants ne doivent pas jouer avec l'appareil.
- Tenir l'appareil et son cordon hors de portée d'enfants âgés de moins de 8 ans.

ALIMENTATION SECTEUR (Royaume-Uni uniquement)

Ce pistolet à air chaud est fourni avec un cordon d'alimentation muni d'un fusible. Celui-ci est identifié par le porte-fusible situé à la base de la fiche d'alimentation. Veuillez lire les consignes de sécurité suivantes avant d'utiliser l'appareil :

1. Si le cordon d'alimentation est endommagé, veuillez le remplacer par un cordon neuf pour ne pas compromettre la sécurité. Veuillez contacter le service après-vente de Wagner pour commander un cordon d'alimentation de rechange.
2. N'utilisez **JAMAIS** le pistolet à air chaud ou le cordon d'alimentation sans le porte-fusible mis en place. Le porte-fusible est le petit couvercle fixé à la base de la fiche pour maintenir le fusible en place.
3. Si vous perdez le porte-fusible, adressez-vous à un distributeur de produits électriques pour acheter un porte-fusible de rechange ou appelez notre centre d'assistance téléphonique.
4. Le fusible de rechange doit être de calibre 13 A. Il doit être fabriqué et agréé conformément à la norme BS 1362.
5. **EN CAS DE DOUTE, VEUILLEZ CONTACTER UN ÉLECTRICIEN QUALIFIÉ.**

ALIMENTATION SECTEUR (hors Royaume-Uni)

Ce pistolet à air chaud est fourni avec un cordon d'alimentation. Si le cordon d'alimentation est endommagé, veuillez le remplacer par un cordon neuf pour ne pas compromettre la sécurité. Veuillez contacter le service après-vente de Wagner pour commander un cordon d'alimentation de rechange.

EN CAS DE DOUTE, VEUILLEZ CONTACTER UN ÉLECTRICIEN QUALIFIÉ.

AVERTISSEMENT - Utilisez une rallonge électrique compatible avec la fiche du cordon d'alimentation. Assurez-vous que la rallonge est en parfait état. Si vous utilisez une rallonge, assurez-vous d'utiliser un calibre suffisant pour le courant d'alimentation de votre produit. Un cordon sous-calibré entraînerait une chute de tension d'alimentation et, par conséquent, une perte de puissance et une surchauffe. Un cordon en caoutchouc de type harmonisé H05RR-F 3 x 1 mm² est le minimum requis pour une utilisation générale.

Utilisation du pistolet à air chaud

Description générale

Cet pistolet à air chaud est un outil électrique de qualité. Comme tout outil électrique, il peut être dangereux s'il est mal utilisé. Veuillez lire avec attention les instructions ci-dessous et observez toutes les consignes de sécurité. Le propriétaire du pistolet à air chaud est responsable de son utilisation adéquate.

Spécifications

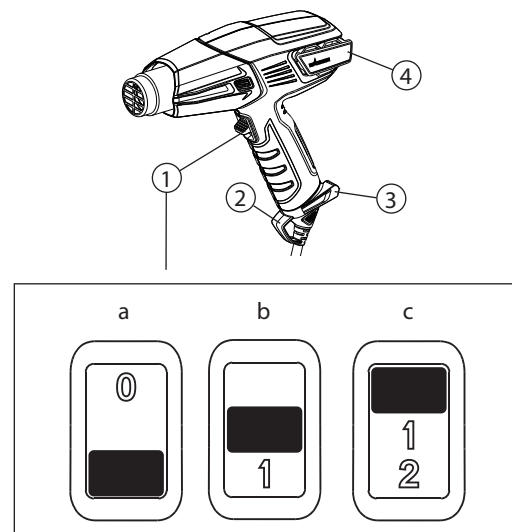
| | |
|-----------------------|---|
| Boîtier | Polymères techniques résistants aux chocs, à la corrosion et à la chaleur |
| Puissance | 1 600 W pour le réglage HAUT, 800 W pour le réglage BAS |
| Tension | 220 - 240 V c.a. |
| Fréquence | 50 - 60 Hz |
| Puissance calorifique | Environ 575 °C pour le réglage HAUT, environ 400 °C pour le réglage BAS |
| Poids | 0,72 kg |

Description des composants

Caractéristiques Fig. 1

- 1) Bouton sélecteur de mode
 - a) 0 (ARRÊT)
 - b) 1 (BAS)
 - c) 2 (HAUT)
- 2) Crochet de suspension
- 3) Stabilisateurs de la poignée et cordon d'alimentation (amovibles avec un outil)
- 4) Ailerons stabilisateurs à l'arrière (support)

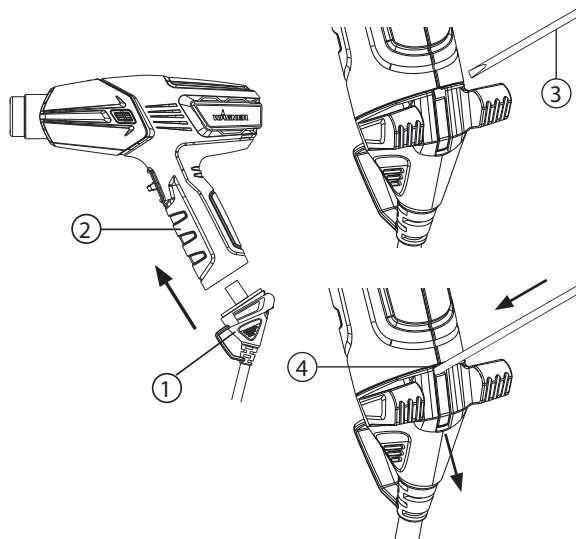
Fig 1



Branchement du cordon d'alimentation

Le cordon d'alimentation (Fig. 2, 1) du pistolet à air chaud est livré non fixé sur le pistolet (Fig. 2, 2). Pour le brancher, insérez l'extrémité du cordon dans la prise placée sur la poignée du pistolet et appuyez fermement jusqu'à ce que vous entendiez un clic. Le cordon d'alimentation pourra ensuite rester ainsi constamment branché. S'il faut les détacher, insérez un petit tournevis ou un outil similaire (Fig. 2, 3) dans l'orifice comme indiqué (Fig. 2, 4). Lorsque vous sentez une résistance à l'extrémité de l'outil, exercez une pression pour enfoncer le mécanisme de dégagement. Tirez fermement sur le cordon pour le dégager du pistolet.

Fig 2



Le pistolet à air chaud F300 compte parmi les outils les plus polyvalents que vous puissiez posséder. Il est utilisable pour une grande variété d'applications, des gros travaux de bricolage aux tâches minutieuses des loisirs créatifs. Pour plus de renseignements sur la variété des applications et pour visionner des vidéos de démonstration, consultez notre site Internet www.wagner-group.com.

| Utilisation | Chaleur | Options embout de buse | |
|---|--|------------------------|--------------------------------------|
| Bricolage | Décapage de peinture | HAUT | Jet concentré ou large |
| | Réparation de murs | BAS | Ouvert (sans embout) |
| | Séchage de la peinture | BAS | Ouvert (sans embout) |
| | Ramollissement des adhésifs pour la dépose des carrelages | BAS | Jet concentré large |
| | Cintrage de plastique, plexiglas, formica | BAS/ HAUT | Buse à réflecteur |
| | Dépose de formica ou de linoléum | BAS | Jet concentré large |
| | Ramollissement de la peinture, du calfeutrage et du mastic pour faciliter le décapage (utiliser le déflecteur thermique) | HAUT | Jet concentré ou Jet concentré large |
| | Film plastique rétractable pour l'emballage ou l'étanchéisation | BAS | Jet concentré large |
| Petits travaux (y compris réparations) | Desserrage d'écrous, de boulons et de garnitures rouillés | HAUT | Ouvert/Jet concentré |
| | Réparation de jeans | BAS | Jet concentré large |
| | Brûlage de mauvaises herbes | HAUT | Jet concentré |
| | Retrait d'adhésifs | BAS | Ouvert (sans embout) |
| | Fartage de skis/snowboards | BAS | Jet concentré large |

| Utilisation | | Chaleur | Options embout de buse |
|-------------------------|---|----------|---|
| | Travaux avec fibres de verre | HAUT | Jet concentré ou large |
| | Dégel de tuyaux et serrures | BAS | Buse à réflecteur/ Ouvert (sans embout) |
| | Allumage d'un barbecue | HAUT | Jet concentré / Buse barbecue |
| | Chauffage du béton avant ragréage | BAS/HAUT | Jet concentré |
| | Dégivrage réfrigérateur/ congélateur | BAS | Ouvert (sans embout) |
| Loisirs créatifs | Fabrication de bougies | BAS | Ouvert (sans embout) |
| | Fabrication de savon | BAS | Ouvert (sans embout) |
| | Emballage de cadeaux sous film rétractable | BAS | Ouvert (sans embout) |
| | Formation de mousse | BAS | Ouvert (sans embout) |
| | Décoration de biscuits | BAS/HAUT | Ouvert (sans embout) |
| Automobile | Retrait de stickers, d'emblèmes et de décalcomanies | BAS | Ouvert (sans embout) |
| | Redressement des déformations | HAUT | Ouvert (sans embout) |
| | Décapage de peinture | HAUT | Jet concentré ou large |
| | Application et retrait de film teinté de vitres | BAS | Ouvert (sans embout) |
| | Redressement des pare-chocs | HAUT | Ouvert (sans embout) |
| Électronique | Réparation de smartphones & tablettes | BAS | Jet concentré |
| | Réparation de PlayStation et Xbox | BAS | Jet concentré |



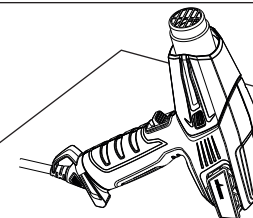
Il est impératif de lire les consignes de sécurité présentées dans ce manuel avant d'utiliser le pistolet à air chaud.

1. Branchez la fiche d'alimentation du pistolet à air chaud dans une prise de courant standard.
2. Mettez en marche le pistolet à air chaud en choisissant le réglage désiré avec le sélecteur. Le bruit du moteur du ventilateur indique que le pistolet à air chaud est en marche.
3. Débranchez toujours le pistolet à air chaud de la prise de courant lorsque le travail est terminé.

Fonctionnement mains-libres

Le pistolet à air chaud possède un support intégré (Fig. 3) pour les applications sur établi et pour le refroidissement.

Fig 3



Remarque : De la fumée peut apparaître pendant la première mise en marche en raison du brûlage des huiles de fabrication. La fumée se dissipera rapidement une fois l'appareil en marche.

IMPORTANT : Si le ventilateur motorisé du pistolet à air chaud ne se met pas en marche lorsque vous réglez le sélecteur sur BAS ou HAUT, mettez immédiatement le pistolet en position d'arrêt. L'élément chauffant grillera s'il n'est pas refroidi par le ventilateur motorisé.

Remarque : Mettez toujours le pistolet à air chaud en position verticale dès qu'il est éteint, que ce soit pour une courte pause ou pour le ranger. Évitez de poser l'appareil en position horizontale après sa mise hors tension. La chaleur restera dans l'appareil et le refroidissement sera plus long. Rangez l'appareil après avoir laissé refroidir la buse. Débranchez l'appareil avant de le ranger afin d'éviter une mise en marche accidentelle.

IMPORTANT : Protégez toujours le vitrage lorsque vous travaillez à proximité de fenêtres.



Ne touchez pas la buse ou tout autre outil en cours d'utilisation lorsque vous travaillez avec le pistolet. Ils peuvent être brûlants et provoquer des brûlures graves. Portez des gants pour protéger vos gants des copeaux brûlants.

Décapage de peinture

Le pistolet à air chaud chauffe la surface et ramollit ainsi la peinture, ce qui permet de la gratter facilement sans endommager la surface. Certaines peintures peuvent ramollir sans cloquer; d'autres peuvent devenir caoutchouteuses et certaines peuvent exiger une chaleur plus forte.

Lorsque le travail implique plusieurs couches de peinture, le processus de grattage sera accéléré si la surface est chauffée complètement jusqu'à atteindre le bois. Il est ainsi possible de gratter toutes les couches en une seule fois.

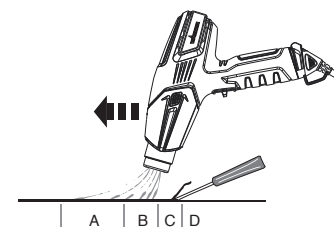
Une brosse métallique douce est peut-être le meilleur outil pour les surfaces très intriquées. La chaleur ne ramollit pas les peintures

minérales et les apprêts tels que la peinture à base de ciment et la porcelaine ; par conséquent, un outil chauffant sera inefficace pour le décapage de peinture.

La meilleure méthode de décapage de peinture

Déplacez le pistolet à air chaud, lentement et régulièrement, dans un mouvement vers l'avant en formant un angle avec la surface à traiter, en pointant la buse dans le sens du mouvement. Vous pouvez ainsi gratter la surface en toute sécurité à l'extérieur du flux d'air chaud tout en évitant une surchauffe de l'outil de grattage et de la surface grattée.

- A. L'air chaud préchauffe la surface.
- B. La peinture est amollie par l'air chaud.
- A + B. Pénétration profonde de la chaleur sur toute la surface.
- C. Dès que la peinture est ramollie, elle peut être facilement décapée et grattée au fur et à mesure de l'avancée du pistolet.
- D. La surface décapée peut refroidir.



Remarque : N'utilisez pas le pistolet à air chaud sur des surfaces que la chaleur peut endommager, comme des panneaux, bardages ou cadres de fenêtres recouverts de vinyle.

L'utilisation du pistolet à air chaud pour le décapage de la peinture de cadres de fenêtre entraînera le ramollissement du mastic. Prenez soin de ne pas faire de trous dans le mastic avec le grattoir. Le mastic durcira à nouveau une fois refroidi.

N'utilisez pas le pistolet à air chaud sur une vitre de fenêtre en laminé de verre isolant de type Thermopane. L'extension de meulage de bords de glace peut provoquer une rupture d'étanchéité des rives.

Pour le décapage des parements, évitez de surchauffer les bords des bardeaux bitumés en saillie sur le bord du revêtement. Une chaleur trop forte ferait fondre le revêtement bitumé.

IMPORTANT: Le décapage de peinture à l'aide d'un pistolet à air chaud est une opération sans risque si les directives mentionnées ci-dessus sont respectées, mais il convient de toujours garder un récipient d'eau ou un extincteur de type ABC (pour incendies de classes A, B ou C) à portée de main.

Nettoyage et entretien

Veillez à ce que les ouvertures d'aspiration d'air restent propres et non obstruées. Utilisez une brosse douce et sèche pour nettoyer les ouvertures à intervalles réguliers. Utilisez uniquement du savon doux et un chiffon humide pour nettoyer le pistolet à air chaud. De nombreux produits de nettoyage courants contiennent des produits chimiques susceptibles d'endommager gravement le boîtier de l'appareil.

N'utilisez pas d'essence, d'essence de térébenthine, de diluant pour vernis ou peinture, de produits de nettoyage secs ou des produits similaires pendant le nettoyage du pistolet à air chaud.

ÉVITER IMPÉRATIVEMENT la pénétration de liquide à l'intérieur de l'appareil ou l'immersion d'une partie de l'appareil dans un liquide.

Le nettoyage et l'entretien ne doivent pas être effectués par des enfants de moins de 8 ans et sans la supervision de personnes responsables.


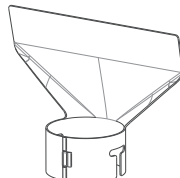
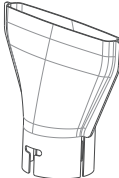

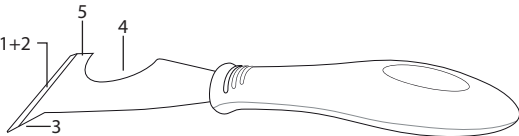
Rangement

Laissez la buse du pistolet à air chaud refroidir à température ambiante avant de ranger le pistolet.

La buse deviendra plus foncée avec le temps en raison de la chaleur élevée. Cette coloration est normale et n'a aucune incidence sur le fonctionnement ou la durée de vie de l'outil.

Accessoires

Les accessoires suivants peuvent être fournis avec le pistolet à air chaud ou être achetés individuellement www.wagner-group.com/service. Vous pouvez aussi consulter la dernière page du manuel pour obtenir les coordonnées du service après-vente le plus proche.

| Dénomination | Description | Dénomination | Description |
|---|---|-------------------------------------|---|
| Buse jet concentré Réf. 2366222 |  Dirige un flux de chaleur concentré sur la surface de travail. Idéale pour décaper la peinture dans les coins difficiles d'accès, les crevasses, les moulures normales et en demi-rond ou les chambranles. | Buse protection verre P/N2366224 |  Dévie le jet de chaleur pour l'éloigner des surfaces en verre ou fragiles. Idéale pour les seuils, rebords, châssis de fenêtres et les plinthes. |
| Buse jet concentré large P/N2366223 |  Dirige un jet de chaleur long et étroit sur la surface de travail. Idéale pour le décapage de peinture ou de vernis sur des surfaces grandes et plates, comme des plinthes, portes, escaliers, etc. Elle doit être utilisée en association avec un grattoir plat. | Buse réflecteur P/N2366225 |  Diffuse le flux de chaleur uniformément autour de la surface de travail. Idéale pour dégelier des tuyaux gelés, les travaux de soudure, le cintrage de plastiques, ou les gaines électriques isolantes thermorétractables. |
| Dénomination | Description | | |
|  1+2 3 4 5 | Détails du grattoir 5-en-1 P/N2366227 Cet outil offre cinq fonctions. La lame sert à (1) gratter la peinture et à (2) étaler l'enduit. La gouge (3) sert à retirer le mastic/calfeutrage dans les fissures ouvertes. La zone convexe (4) sert à nettoyer les garnitures de rouleaux. La partie plate (5) peut servir à ouvrir les boîtes de peinture. | | |

IMPORTANT : Portez toujours des gants lorsque vous utilisez le pistolet à air chaud.

Pour fixer un élément optionnel sur le pistolet à air chaud :

1. Posez le pistolet à air chaud en position verticale sur une surface plane et attendez que l'embout ait refroidi.
2. Placez l'élément sur l'embout du pistolet à air chaud et appuyez fermement dessus avec la main pour le mettre en place.

Pour retirer un élément optionnel du pistolet à air chaud :

1. Posez le pistolet à air chaud en position verticale sur une surface plane et attendez que l'embout ait refroidi.
2. Tirez sur l'élément pour le dégager de l'embout.

Enregistrement du produit

Enregistrez votre produit en ligne sur le site www.wagner-group.com/3plus1 pour obtenir votre garantie supplémentaire de 1 an.

Garantie de 3+1 ans

La garantie est valide pour une durée de trois ans à compter de la date de vente de l'appareil (justificatif d'achat). La période de garantie est prolongée de 12 mois supplémentaires si l'appareil est enregistré en ligne dans les quatre semaines suivant son achat, en accédant au site www.wagner-group.com/3plus1. L'enregistrement n'est possible que si l'acquéreur atteste les données saisies pendant l'enregistrement. La garantie couvre uniquement la rectification gratuite des défaillances qui sont manifestement imputables à des vices de fabrication ou à des erreurs d'assemblage ; ou le remplacement sans frais des pièces défectueuses. L'utilisation et/ou la mise en service incorrecte, ainsi que les travaux de montage et/ou de réparation qui ne figurent pas dans nos instructions d'utilisation, excluent toute responsabilité. Les pièces d'usure sont également exclues de la garantie. La garantie exclut un usage commercial. Nous nous réservons formellement la fourniture de la garantie. La garantie est exclue si l'appareil a été ouvert par des personnes ne faisant pas partie du personnel du service technique de WAGNER. Les dommages dus au transport, les travaux d'entretien, ainsi que la perte et les dommages dus à des travaux d'entretien incorrects, ne sont pas couverts par la garantie. La demande de garantie ne peut être traitée que contre présentation du bon de caisse d'origine. Dans la mesure légale, la société WAGNER ne peut être tenue responsable de dommages corporels, matériels ou immatériels, en particulier si l'outil est utilisé à des fins non prévues dans les instructions d'utilisation, si la mise en service et les réparations n'ont pas été exécutées conformément aux instructions de service et/ou si les réparations ont été effectuées par une personne non spécialisée. Nous nous réservons le droit d'effectuer à l'usine toutes les réparations qui dépasseraient le

cadre de celles décrites dans nos instructions d'utilisation. Nous vous prions d'adresser vos demandes de garantie ou de réparation à votre point de vente. La présente garantie n'affecte pas vos droits prévus par la loi.

INFORMATIONS SUR L'ÉLIMINATION DES DÉCHETS DES ÉQUIPEMENTS ÉLECTRIQUES ET ÉLECTRONIQUES (DEEE)

Nous attirons votre attention sur les nouvelles directives s'appliquant à l'élimination de cet équipement électrique et stipulant que ce produit, conformément à la législation applicable, ne doit pas être mis au rebut avec les ordures ménagères normales. Il relève de votre responsabilité de mettre au rebut ce type de déchets en les apportant à des points de collecte désignés et destinés spécifiquement à leur récupération et recyclage. Ce produit porte le symbole d'une benne à ordures barrée d'une croix à titre de rappel de cette action. Cette directive a pour objectif de contribuer à préserver les ressources et à garantir leur recyclage de manière à protéger à la fois la santé humaine et l'environnement. Pour obtenir des informations sur les points de collecte où vous pouvez apporter vos déchets, veuillez prendre contact avec les services municipaux de votre localité qui vous indiqueront les déchetteries à accès gratuit.



CE Déclaration de conformité

Ce produit est conforme à la directive Basse Tension 2014/35/UE, à la directive CEM 2014/30/UE, à la directive RoHS 2011/65/UE et à la réglementation REACH 1907/2006.



Belangrijke veiligheidsinformatie • Lees alle veiligheidsinformatie voordat u de apparatuur in gebruik neemt. Bewaar deze instructies

Om het risico op brand of explosies, elektrische schokken en lichamelijk letsel te verkleinen, dient u alle instructies in deze handleiding te lezen en te begrijpen. Maak uzelf vertrouwd met de bediening en het correcte gebruik van de apparatuur.



Geeft een gevaarlijke situatie aan die, als deze niet vermeden wordt, dodelijk of ernstig letsel kan veroorzaken.

GEVAAR: GIF

Er moet extreem voorzichtig te werk worden gegaan bij het strippen van verf. De schilfers, resten en dampen van verf kunnen lood bevatten, dat giftig is. Verf die voor 1950 op huizen aangebracht is bevat waarschijnlijk lood. Verf die voor 1977 geproduceerd is kan lood bevatten. Als de verf is aangebracht op oppervlakken kan hand-naar-mond contact leiden tot de inname van lood. Blootstelling, zelfs aan lage doses, kan leiden tot onherstelbare schade aan hersenen en het zenuwstelsel. Jonge en ongeboren kinderen zijn met name kwetsbaar voor loodvergiftiging.

Voordat u begint met het verwijderen van verf moet u bepalen of de verf die u verwijdert lood bevat. Dit kan via een plaatselijke gezondheidsambtenaar of door een professional die een verf-analysator gebruikt om het loodgehalte te controleren van de verf die verwijderd moet worden. Loodgebaseerde verf mag alleen verwijderd worden door een professional en mag niet verwijderd worden met een hittepistool.

PREVENTIE:

Verplaatst het werkstuk naar buiten, beschut tegen regen. Als dit niet mogelijk is moet de werkplek goed geventileerd zijn. Open de ramen en plaats een afzuigventilator in één van de ramen. Zorg ervoor dat de ventilator de lucht van binnen naar buiten verplaatst.

- Verwijder of bedek vloerkleden, tapijt, meubels, kleding, kookgerei en luchtkanalen.
- Plaats afdekzeil in het werkgedeelte om verfsnippers of -schilfers op te vangen. Draag beschermende kleding zoals extra werkshirts, overalls en petten.

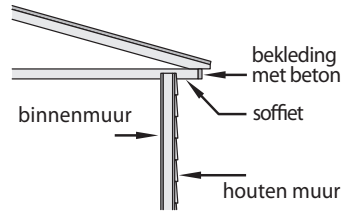
- Werk in één ruimte per keer. Meubilair moet verplaatst of in het midden van de ruimte geplaatst en afgedekt worden. Werkplekken moeten afgesloten van de rest van de woning worden door deuropeningen af te sluiten met afdekzeil.
- Kinderen, zwangere of mogelijk zwangere vrouwen en borstvoedende moeders mogen niet aanwezig zijn op de werkplek totdat het werk gedaan is en alle reinigingswerkzaamheden uitgevoerd zijn.
- Draag een geschikt adembeschermingsstofmasker of een adembeschermingsmasker met duaal filter voor stof en dampen. Deze maskers en vervangbare filters zijn verkrijgbaar bij alle grote ijzerwinkels. Zorg ervoor dat de maskers goed zitten. Baarden en gezichtsbeharing kunnen ervoor zorgen dat de maskers niet goed afsluiten. Vervang de filters regelmatig. Papieren wegwerpmaskers zijn niet geschikt.
- Wees voorzichtig tijdens het gebruik van het hittepistool. Blijf het hittepistool bewegen, want overvloedige hitte genereert dampen die ingeademd kunnen worden door de gebruiker.
- Houd eten en drinken buiten bereik van de werkplek. Was handen, armen en gezicht en spoel de mond voordat u eet of drinkt. Rook niet en kauw geen kauwgum of tabak op de werkplek.
- Ruim alle verwijderde verf en stof op door de vloeren nat te dweilen. Gebruik een vochtige doek om alle muren, vensterbanken en andere oppervlakken te reinigen waar verfstof is blijven zitten. Niet vegen, ontstoffen of stofzuigen. Gebruik een hoogfosfaatreinigingsmiddel met natriumfosfaat om plekken te reinigen en te dweilen.
- Na elke werkbeurt moeten verfsnippers en -schilfers in een dubbele plastic zak geplaatst worden en moet de zak met tape afgesloten of dichtgeknoopt worden en correct verwijderd worden.
- Verwijder beschermende kleding en werkschoenen op de werkplek, zodat voorkomen wordt dat stof naar de rest van het gebouw overgedragen wordt. Was werkkleding afzonderlijk. Veeg schoenen af met een natte doek en was ze daarna met de werkkleding. Was haren en lichaam grondig met water en zeep.

GEVAAR: EXPLOESIE OF BRAND

Dit hittepistool genereert extreem hoge temperaturen (maximaal 600°C). Het moet voorzichtig gebruikt worden om te voorkomen dat brandbaar materiaal ontvlamt.

PREVENTIE:

- Beweeg het hittepistool voortdurend. Niet stoppen of stilstaan op een plek.
- Wees extreem voorzichtig als de andere kant van het materiaal dat afgekrabbd wordt niet toegankelijk is, zoals houten muren. De verborgen kant zou vlam kunnen vatten als deze te heet wordt. Sommige gebouwen bevatten licht ontvlambare materialen achter houten muren, vloeren, bekledingen met beton, soffieten borden en andere panelen. Controleer deze gedeeltes voordat hitte aangebracht wordt en gebruik geen hittegereedschap als er ontvlambare materialen aanwezig zijn of als u niet weet wat het verborgen materiaal is.
- Niet gebruiken in de buurt van oppervlakken met scheuren of in de buurt van metalen buizen of voeglood. Hitte kan achter het werkopervlak geleid worden en verborgen materiaal ontsteken. De ontsteking van verborgen materialen wordt misschien niet direct duidelijk en kan leiden tot schade aan het gebouw en lichamelijk letsel.
- Gebruik elektrische gereedschappen niet in de buurt van ontvlambare vloeistoffen of gassen.
- Niet gebruiken in de buurt van ontvlambare materialen zoals droog gras, bladeren en papier dat kan schroeien en vlam vatten.
- Het mondstuk wordt zeer heet. Laat het hittepistool niet liggen op ontvlambare oppervlakken tijdens het gebruik van het pistool of direct na het uitschakelen van het pistool. Plaats het pistool altijd op een vlak, effen oppervlak zodat de mondstukkop omhoog gericht staat en weg van het ondersteunende oppervlak.
- Raak het mondstuk niet aan voordat het gereedschap is afgekoeld.
- Gebruik het hittepistool niet als haardroger.
- Gereedschappen en afgekrabde verf worden zeer heet. Om verbran-



dingen te voorkomen moeten werkhandschoenen en oogbescherming tijdens het afkrabben gedragen worden.

- Gebruik het hittepistool net zo voorzichtig als open vuur.
- Niet gebruiken in een explosieve atmosfeer.

GEVAAR: ELEKTRICITEIT

Kan schade aan het gebouw, ernstig of dodelijk letsel veroorzaken.

PREVENTIE:

- Haal het hittepistool niet uit elkaar.
- Werk niet in natte bereiken en stel het hittepistool niet bloot aan regen of vocht.
- Beschermen tegen elektrische schok door het voorkomen van lichaamscontact met geaarde oppervlakken zoals buizen, radiatoren, fornuizen, aluminium ladders of andere geaarde apparaten.
- Gebruik het netsnoer niet verkeerd. Draag het hittepistool nooit aan het netsnoer en trek nooit aan het netsnoer om de stekker uit het stopcontact te halen. Houd het netsnoer buiten bereik van hitte, olie en scherpe randen. Controleer het netsnoer regelmatig op slijtage of beschadiging.
- Gebruik alleen verlengsnoeren die geschikt zijn voor gebruik buitenshuis. Als een verlengsnoer beschadigd of anderszins ongeschikt is voor gebruik, vervang het door een nieuw verlengsnoer.

GEVAAR: ALGEMEEN

Kan schade aan het gebouw of ernstig letsel veroorzaken.

PREVENTIE:

- Trek de stekker van het hittepistool altijd uit het stopcontact als het niet in gebruik is. Binnenshuis op een droge plek en buiten bereik van kinderen bewaren.
- Houd uw werkplek goed verlicht en schoon.
- Niet te ver reiken, vooral niet als er op een ladder wordt gewerkt. Zorg er altijd voor dat u goed staat en dat u uw evenwicht kunt bewaren. Zorg ervoor dat de gebruikte ladders stevig en stabiel zijn en dat ze op stevige ondergrond en in een veilige werkhoeek rechtop staan.
- Vermijd elektrische leidingen.
- Houd beweegbare voorwerpen vergrendeld en stabiel tijdens het afkrabben.

- Draag altijd oogbescherming tijdens de werkzaamheden.
- Blijf alert en gebruik uw gezond verstand als u een gereedschap gebruikt.
- Nooit gebruiken om bevroren buizen in muren of in de buurt van ontvlambare materialen te ontdooien. Gebruik altijd het reflectormondstuk (P/N2366225) om bevroren buizen te ontdooien.
- Laat het hittepistool niet onbeheerd als het ingeschakeld is.
- Dit toestel kan worden gebruikt door kinderen van 8 jaar en ouder alsook door personen met verminderde fysieke of geestelijke vermogens en een verminderd waarnemingsvermogen en personen met minder ervaring of kennis indien zij worden begeleid of zijn geïnstrueerd in het veilige gebruik van het toestel en de gevaren begrijpen. Kinderen mogen niet spelen met het toestel.
- Houd het apparaat en snoer buiten bereik van kinderen jonger dan 8 jaar.

HOOFDNAANSLUITING (alleen VK)

Het hittepistool wordt geleverd met een netsnoer met zekering. Deze wordt aangegeven door de zekeringhouder in de basis van de stekker. Lees de volgende veiligheidsinstructies voorafgaand aan het gebruik:

1. Vervang een beschadigd netsnoer met een nieuw netsnoer om veiligheidsrisico's te voorkomen. Neem voor een vervangend netsnoer contact op met de klantenservice van Wagner.
2. Gebruik het hittepistool of netsnoer **NOOIT** zonder zekeringklepje. Dit is het klepje dat in de basis van de stekker is bevestigd om de zekering op zijn plaats te houden.
3. Als u het zekeringklepje verliest, dient u contact op te nemen met een elektronicawinkel voor een vervangend klepje, of te bellen naar onze hulplijn.
4. Een vervangende zekering moet 13 Amp zijn. Deze moet geproduceerd en goedgekeurd zijn volgens BS1362.
5. **NEEM BIJ TWIJFEL CONTACT OP MET EEN GEKWALIFICEERDE ELEKTRICIEN.**

HOOFDNAANSLUITING (niet-VK)

Het hittepistool wordt geleverd met een netsnoer. Vervang een beschadigd netsnoer met een nieuw netsnoer om veiligheidsrisico's te voorkomen. Neem voor een vervangend netsnoer contact op met de

klantenservice van Wagner.

NEEM BIJ TWIJFEL CONTACT OP MET EEN GEKWALIFICEERDE ELEKTRICIEN.

WAARSCHUWING - Gebruik een verlengsnoer dat geschikt is voor de stekker op het product. Zorg dat uw verlengsnoer in goede conditie is. Zorg er bij gebruik van een verlengsnoer voor dat het verlengsnoer sterk genoeg is om het voltage te bieden dat uw product nodig heeft. Een kabel die niet sterk genoeg is, zal het beschikbare voltage doen verlagen waardoor er minder kracht en oververhitting plaatsvindt. Er is minimaal een geharmoniseerd H05RR-F 3 x 1.0sq mm rubberen type snoer nodig voor algemeen gebruik.

Het hittepistool gebruiken

Algemene beschrijving

Dit hittepistool is een hoogwaardig elektrisch gereedschap. Zoals elk ander elektrisch gereedschap kan het gereedschap gevaarlijk zijn als het verkeerd gebruikt wordt. Lees de volgende aanwijzingen zorgvuldig door en volg alle veiligheidsmaatregelen op. De eigenaar van het hittepistool is verantwoordelijk voor het correcte gebruik.

Specificaties

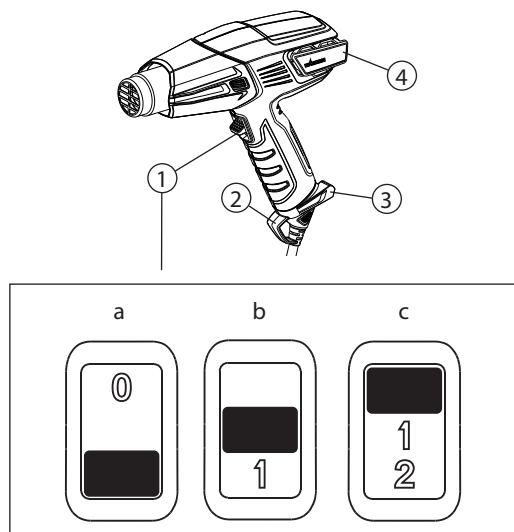
| | |
|---------------|--|
| Behuizing | Gemaakt van high-impact corrosie- en hittebestendige polymeren |
| Wattage | 1600 Watt op HOOG, 800 Watt op LAAG |
| Voltage | 220 - 240 V a.c. |
| Frequentie | 50 - 60Hz |
| Hitte-afgifte | Ca. 575°C op HOOG, ca. 400°C op LAAG |
| Gewicht | 0,72 kg |

Componentbeschrijving

Eigenschappen afb. 1

- 1) Moduskiezer-knop
 - a) 0 (UIT)
 - b) 1 (LAAG)
 - c) 2 (HOOG)
- 2) Ophanghaak
- 3) Handvatstabilisators & netsnoer (verwijderbaar met gereedschap)
- 4) Achterstabilisators (stand)

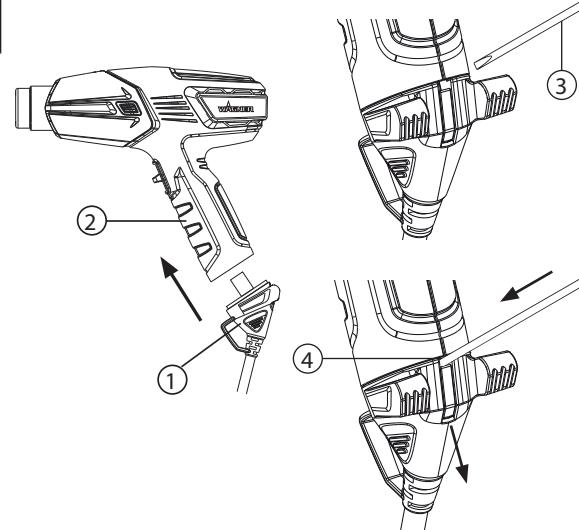
Afb. 1



Netsnoer bevestigen

Het netsnoer (afb. 2, 1) voor het hittepistool wordt los van het pistool geleverd (afb. 2, 2). Om te bevestigen, breng het snoer met de aansluiting bij het handvat van het pistool en druk stevig tegen elkaar tot u een klik hoort. Het netsnoer hoeft niet verwijderd te worden. Indien losmaken vereist is, breng een kleine schroevendraaier of een soortgelijk gereedschap (afb. 2, 3) in het gat zoals afgebeeld (afb. 2, 4). Als weerstand voelbaar is aan het einde van het gereedschap, breng druk aan om het ontgrendelingsmechanisme in te drukken. Trek het netsnoer stevig van het pistool.

Afb. 2



Het F300 hittepistool is een van de meest veelzijdige gereedschappen. Het kan gebruikt worden voor veel verschillende projecten, van grote doe-het-zelf- tot kleine handwerkprojecten. Bezoek onze website www.wagner-group.com voor meer informatie over meerdere projecten en instructievideo's.

| Gebruik | | Hitte | Opties mondstuk |
|---|--|-----------|------------------------------------|
| Doe-het-zelf | Strippen van verf | HOOG | Concentrator of Breed |
| | Muurreparatie | LAAG | Open (geen kop) |
| | Verf drogen | LAAG | Open (geen kop) |
| | Lijm zacht maken om vloertegels te verwijderen | LAAG | Brede concentrator |
| | Buigen van plastic, plexiglas, formica | LAAG/HOOG | Reflektormondstuk |
| | Verwijderen van formica en linoleum | LAAG | Brede concentrator |
| | Zacht maken van verf, breeuwing en plamuur voor eenvoudiger verwijderen (gebruik hittedeflector) | HOOG | Concentrator of Brede concentrator |
| | Krimpen van plastic laag voor verpakken of weerbestendig maken | LAAG | Brede concentrator |
| Kleine werkzaamheden (inclusief reparatie) | Lossen van vastgeroeste moeren, bouten en fittingen | HOOG | Open/concentrator |
| | Jeans repareren | LAAG | Brede concentrator |
| | Onkruid verbranden | HOOG | Concentrator |

| Gebruik | | Hitte | Opties mondstuk |
|--|--|---------------|-------------------------------------|
| | Lijm verwijderen | LAAG | Open (geen kop) |
| | Ski's/snowboard waxen | LAAG | Brede concentrator |
| | Glasvezelwerkzaamheden | HOOG | Concentrator of Breed |
| | Buizen en sloten ontdooien | LAAG | Reflektormondstuk / open (geen kop) |
| | Aansteken van een barbecue | HOOG | Concentrator / BBQ kop |
| | Beton verhitten voor reparatie | LAAG/HOOG | Concentrator |
| | Koelkast/vriezer ontdooien | LAAG | Open (geen kop) |
| | Handwerk | Kaarsen maken | LAAG |
| Zeep maken | | LAAG | Open (geen kop) |
| In krimpfolie verpakken van cadeautjes | | LAAG | Open (geen kop) |
| Schuimrubber vormen | | LAAG | Open (geen kop) |
| Versieren van koekjes | | LAAG/HOOG | Open (geen kop) |
| Automotive | Verwijderen van stickers, emblemen en plakplaatjes | LAAG | Open (geen kop) |

| Gebruik | | Hitte | Opties mondstuk |
|--------------------|---|-------|-----------------------|
| | Verwijderen van deuken | HOOG | Open (geen kop) |
| | Verwijderen van verf | HOOG | Concentrator of Breed |
| | Aanbrengen en verwijderen van raamverduistering | LAAG | Open (geen kop) |
| | Herstellen van bumpers | HOOG | Open (geen kop) |
| Elektronica | Smartphone- & tablet-reparatie | LAAG | Concentrator |
| | PlayStation- en Xbox-reparatie | LAAG | Concentrator |

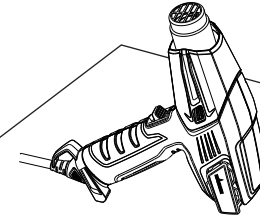
! Lees altijd de veiligheidsinformatie van deze handleiding door voordat het hittepistool gebruikt wordt.

1. Steek de stekker van het hittepistool in een standaard stopcontact.
2. Schakel het hittepistool in door de knop op de gewenste instelling te zetten. De motoraangedreven ventilator geeft aan dat het hittepistool loopt.
3. Trek de stekker van het hittepistool altijd uit het stopcontact als het werk klaar is.

Hands-free bediening

Het hittepistool heeft een geïntegreerde stand (afb. 3) voor benchtop applicaties en voor afkoelen.

Afb. 3



Opmerking: Er kan rook ontstaan bij het eerste keer starten door het verbranden van productie-olie. De rook zal kort na het eerste keer starten verdwijnen.

BELANGRIJK: Als de motoraangedreven ventilator in het hittepistool niet ingeschakeld wordt als de knop op LAAG of HOOG wordt gezet, moet de knop direct worden UITGESCHAKELD. Het hitte-element brandt door als het niet afgekoeld wordt door de motoraangedreven ventilator.

Opmerking: Zet het hittepistool altijd rechtop nadat het is uitgeschakeld, voor een korte pauze of voor opslag. Voorkom dat het toestel op de zijkant gelegd wordt nadat het is uitgeschakeld. De hitte blijft in het toestel en het afkoelen duurt langer. Sla het toestel alleen op nadat het mondstuk is afgekoeld. Trek de stekker van het toestel uit het stopcontact om onbedoeld inschakelen te voorkomen.

BELANGRIJK: Bij werkzaamheden in de buurt van ramen moet het glas altijd beschermd worden.



Raak het mondstuk of een ander gereedschap dat in gebruik is nooit aan tijdens de werkzaamheden. Deze worden extreem heet en veroorzaken ernstige brandwonden. Draag handschoenen om handen te beschermen tegen het hete afgekrabde materiaal.

Strippen van verf

Het hittepistool verhit het oppervlak en zorgt ervoor dat de verf zacht wordt en eenvoudig afgekrabt kan worden zonder het oppervlak te beschadigen. Sommige verf kan zacht worden zonder te bladderen; sommige verf wordt rubberachtig, en voor sommige verf is meer hitte nodig.

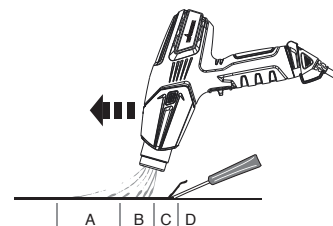
Als er met meerdere verlagen gewerkt wordt, wordt het afkrabproces versnelt door het oppervlak grondig te verhitten, helemaal tot op het hout. Daarna kunnen alle lagen in één keer afgekrabt worden.

Een zachte draadborstel is het beste gereedschap voor gebruik bij zeer complexe oppervlakken. Minerale verf en finish, zoals cementverf en porselein, worden niet zacht door hitte, dus werkt hittegereedschap niet voor het verwijderen van verf.

De beste methode voor het verwijderen van verf

Beweeg het hittepistool langzaam en gelijkmatig naar voren in een hoek t.o.v. het oppervlak, waarbij het mondstuk in de richting van de beweging staat. Daardoor kan veilig buiten de hete luchtstroom afgekrabt worden en blijft de krabber en het afgekrabde oppervlak koeler.

- A. Warme lucht verwarmt het oppervlak voor.
- B. Verf wordt zacht gemaakt door hete lucht.
- A + B. Diepe penetratie van hitte over het gehele gebied.
- C. Verf kan eenvoudig afgekrabt worden zodra het zacht gemaakt is en het pistool verder is gegaan.
- D. Gestript oppervlak laten afkoelen.



Opmerking: Gebruik het hittepistool niet op oppervlakken die beschadigd kunnen worden door hitte, zoals vinylgecoate paneelwerken, vinylgecoate houten muren of vinylgecoate raamkozijnen.

Bij het verwijderen van verf van raamkozijnen maakt het hittepistool het plamuur zacht. Zorg ervoor dat u het plamuur niet uitsmeert met de krabber. Het plamuur wordt stevig na afkoelen.

Gebruik het hittepistool niet op dubbel glas zoals thermopane. De glasrandexpansie kan de randsealing breken.

Bij het afkrabben van bekledingen met beton moeten de randen van de asfaltkiezels die over de rand van het bodembeslag uitsteken niet oververhit worden. Door te veel hitte zal het asfalt smelten.

BELANGRIJK: Het verwijderen van verf met een hittepistool is veilig als de bovenstaande richtlijnen worden toegepast, maar houd altijd een jerrycan water of een ABC-brandblusser (geschikt voor klasse A-, B- en C-branden) binnen handbereik.

Reinigen en onderhoud

Houd de inlaatopeningen van de behuizing schoon en vrij van obstakels. Gebruik een zachte, droge borstel om de openingen regelmatig te reinigen. Gebruik alleen milde zeep en een vochtige doek om het hittepistool te reinigen. Veel schoonmaakmiddelen bevatten chemicaliën die de behuizing ernstig kunnen beschadigen.

Gebruik geen benzine, terpentine, lak of verfverdunner, vloeistoffen voor chemisch reinigen of soortgelijke producten voor het reinigen van het hittepistool.

NOOIT vloeistoffen in het gereedschap laten komen en geen enkel onderdeel van het gereedschap in vloeistof dompelen.

Reinigen en gebruikersonderhoud mag niet uitgevoerd worden door kinderen tenzij ze ouder dan 8 jaar zijn en er toezicht op hen gehouden wordt.


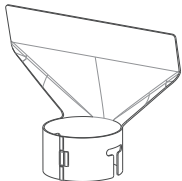
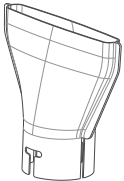

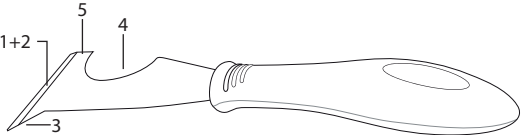
Opslag

Laat het hittepistool afkoelen tot kamertemperatuur voordat u het opbergt.

Het mondstuk wordt na verloop van tijd donker vanwege de hoge hitte. Dit is normaal en is niet van invloed op de prestaties of levensduur van het toestel.

Accessoires

De volgende accessoires kunnen meegeleverd zijn met het hittepistool of kunnen afzonderlijk gekocht worden op www.wagner-group.com/service. Zie ook de achterkant van uw handleiding voor uw dichtstbijzijnde servicecentrum.

| Naam | Beschrijving | Naam | Beschrijving |
|---|---|--|---|
| Concentratormondstuk P/N2366222 |  Richt een geconcentreerde hittestroom naar het werkkoppervlak. Ideaal voor het verwijderen van verf in moeilijke hoeken, spleten, spuitgietstukken, lijstwerken of ribben. | Glasbeschermingsmondstuk P/N2366224 |  Leidt hitte weg van glas of andere breekbare oppervlakken. Ideaal voor vensterbanken, richels, kozijnen en plinten. |
| Breed concentratormondstuk P/N2366223 |  Richt een lang, smal hittepatroon naar het werkkoppervlak. Ideaal voor het verwijderen van verf of vernis van grote, vlakke oppervlakken zoals plinten, deuren, trappen, etc. Deze moet samen gebruikt worden met een vlakke krabber. | Reflectormondstuk P/N2366225 |  Verspreidt de hittestroom gelijkmatig over het hele werkkoppervlak. Ideaal voor het ontdoeien van bevroren buizen, solderen van buizen, buigen van plastic of hittekrimpen van elektrische isolatiebuizen. |
| Naam | Beschrijving | | |
|  5-in-1 afkrabgereedschap P/N2366227 | Dit gereedschap heeft 5 functies. Het mest wordt gebruikt (1) om verf af te krabben en (2) compound te verspreiden. De steekbeitelpunt (3) wordt gebruikt bij het verwijderen van plamuur/breeuwing van open scheuren. Het gebogen gedeelte (4) wordt gebruikt om rolafdekkingen te reinigen. De platte kant (5) kan gebruikt worden om verblikken te openen. | | |

BELANGRIJK: Draag altijd handschoenen bij gebruik van het hittepistool.

Om een optioneel item op het hittepistool te bevestigen:

1. Zet het hittepistool verticaal op een effen oppervlak en wacht tot de kop afgekoeld is.
2. Plaats het item bovenop de kop van het hittepistool en druk het goed op z'n plek met de hand.

Om een optioneel item van het hittepistool te verwijderen:

1. Zet het hittepistool verticaal op een effen oppervlak en wacht tot de kop afgekoeld is.
2. Trek het item van de kop.

Productregistratie

Registreer uw product online op www.wagner-group.com/3plus1 om in aanmerking te komen voor 1 jaar extra garantie.

3+1 jaar garantie

De garantieperiode is drie jaar, vanaf de datum van aankoop (aankoopbewijs). De garantie wordt verlengd met nog eens 12 maanden als het toestel online binnen 4 weken na aankoop geregistreerd wordt op www.wagner-group.com/3plus1. Registratie is alleen mogelijk als de koper akkoord gaat dat de gegevens opgeslagen worden die ingevoerd worden bij de registratie. De garantie dekt en is beperkt tot kosteloze reparatie van fouten die aantoonbaar veroorzaakt zijn door het gebruik van defecte materialen in de productie, of montagefouten; of kosteloze vervanging van de defecte onderdelen. De garantie strekt zich niet uit tot onjuist gebruik of ingebruikname of montage- of reparatiewerkzaamheden die niet worden vermeld in onze bedieningsinstructies. Slijtende onderdelen zijn eveneens uitgesloten van de garantie. De garantie strekt zich niet uit tot commercieel gebruik. We behouden ons nadrukkelijk het recht voor om de garantie uit te voeren. De garantie vervalt indien het apparaat wordt geopend door andere personen dan het onderhoudspersoneel van Wagner. Transportschade, onderhoudswerkzaamheden en verlies en schade als gevolg van gebrekkig onderhoud vallen niet onder de garantie. Bij elke garantieclaim moet de aankoop van het werktuig worden aangetoond door het overleggen van de originele aankoopbon. Voor zover dit juridisch mogelijk is, wijzen we elke aansprakelijkheid af voor letsel, schade of indirect verlies, met name indien het werktuig is gebruikt voor een doel dat niet wordt vermeld in de gebruiksinstructies, in gebruik wordt genomen of gerepareerd in strijd met onze gebruiksinstructies of wordt gerepareerd door iemand die niet gekwalificeerd is. We behouden ons het recht voor om meer reparaties uit te voeren dan wordt vermeld in onze gebruiksinstructies. Neem voor

garantieverlening of reparaties contact op met het verkooppunt. Deze garantie heeft geen gevolgen voor uw wettelijke rechten.

INFORMATIE OVER HET VERWIJDEREN VAN ELEKTRISCHE & ELEKTRONISCHE APPARATUUR, OOK BEKEND ALS WEEE

Graag uw aandacht voor nieuwe richtlijnen die van toepassing zijn op het verwijderen van deze elektrische apparatuur, waarbij in overeenstemming met de wetgeving dit product niet met uw huisvuil weggegooid mag worden. In plaats daarvan is het uw verantwoordelijkheid om dit type afval te verwijderen door het te overhandigen aan een speciaal aangewezen inzamelingspunt voor terugwinning en recycling. Dit product is gemarkeerd met een "afvalcontainer" met een kruis erop om u te laten herinneren aan deze handeling. Het doel van deze richtlijn is het ondersteunen van het behoud van hulpbronnen en om ervoor te zorgen dat deze gerecycled worden op een manier die de gezondheid en het milieu beschermt. Voor meer informatie waar u uw afval kunt afgeven, neem contact op met uw plaatselijke overheid, afval naar inzamelingspunten brengen is kosteloos.



CE conformiteitsverklaring

Dit product voldoet aan de Laagspanningsrichtlijn 2014/35/EU, EMC-richtlijn 2014/30/EU, RoHS-richtlijn 2011/65/EU en REACH-regelgeving 1907/2006.



Informazioni importanti per la sicurezza • Leggere tutte le informazioni concernenti la sicurezza prima di utilizzare il presente apparecchio. Conservare le presenti istruzioni

Per ridurre il rischio di incendio o esplosioni, scosse elettriche o lesioni personali, leggere con attenzione le istruzioni del presente manuale. Acquisire familiarità con i comandi e il corretto utilizzo dell'attrezzatura.



Indica una situazione pericolosa che, se non evitata, può causare lesioni gravi o mortali.

PERICOLO DI AVVELENAMENTO

Prestare estrema cautela durante il distacco della vernice. Le scaglie, i residui e i vapori della vernice possono contenere piombo, che è tossico. È probabile che le vernici applicate agli edifici prima del 1950 contengano piombo. Anche le vernici prodotte prima del 1977 possono contenere piombo. Una volta applicate le vernici sulle superfici, il contatto delle mani con la bocca può comportare l'ingestione di piombo. L'esposizione a livelli anche bassi di piombo può causare danni irreversibili al cervello e al sistema nervoso. I bambini piccoli e i nati sono particolarmente vulnerabili all'avvelenamento da piombo.

Prima di iniziare il processo di rimozione della vernice, verificare se questa contiene piombo. A tale scopo è possibile rivolgersi al servizio sanitario locale o a un professionista in grado di verificare con un apposito analizzatore il contenuto di piombo della vernice da rimuovere. Le vernici a base di piombo devono essere rimosse solo da professionisti e non utilizzando una pistola ad aria calda.

PREVENZIONE:

Spostare il pezzo da trattare all'esterno, al riparo dalla pioggia. Se ciò non è possibile, provvedere a una buona aerazione dell'area di lavoro. Aprire le finestre e installare un ventilatore di scarico in una di esse. Verificare che il ventilatore convogli l'aria dell'interno verso l'esterno.

- Rimuovere o coprire tappeti, tappetini, mobili, capi d'abbigliamento, utensili da cucina e condotti dell'aria.
- Stendere teli di protezione nell'area di lavoro per raccogliere eventuali schegge o scaglie di vernice. Indossare abbigliamento protettivo come magliette da lavoro extra, tute e cappelli.

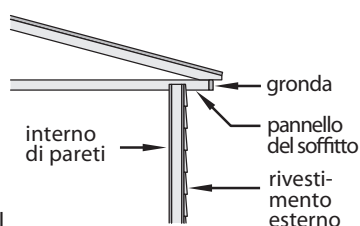
- Lavorare in una stanza alla volta. I mobili dovrebbero essere rimossi o collocati al centro della stanza e coperti. Le aree di lavoro dovrebbero essere isolate dal resto dell'abitazione sigillando le porte con teli di protezione.
- I bambini, le donne incinte o potenzialmente incinte e le madri in allattamento non dovrebbero essere presenti nell'area fino all'ultimazione del lavoro e al completamento della pulizia.
- Indossare maschere con respiratore o maschere con respiratore a doppio filtro approvate contro i fumi e la polvere. Queste maschere e i filtri sostituibili sono reperibili nelle ferramenta più rifornite. Accertare che la maschera calzi correttamente. La barba e i peli facciali possono impedire alla maschera di aderire correttamente. Cambiare spesso i filtri. Le maschere usa e getta in carta non sono adatte.
- Prestare attenzione durante l'uso della pistola ad aria calda. Mantenere la pistola ad aria calda in movimento, in quanto il calore eccessivo genera fumi che possono essere inalati dall'operatore.
- Tenere cibo e bevande fuori dall'area di lavoro. Lavare mani, braccia e viso e sciacquare la bocca prima di mangiare o bere. Non fumare e non masticare gomma o tabacco nell'area di lavoro.
- Rimuovere tutta la polvere e la vernice rimosse lavando i pavimenti. Pulire con un panno umido tutte le pareti, i davanzali e tutte le altre superfici in cui possa essere presente polvere di vernice. Non spazzare, spolverare a secco o utilizzare aspirapolvere. Per lavare le aree, utilizzare un detergente ad elevato contenuto di trisodio fosfato (TSP)
- Al termine di ogni sessione di lavoro, introdurre le schegge e i residui di vernice in un sacco di plastica doppio, chiuderlo con un nastro o una fascetta e smaltirlo adeguatamente.
- Togliere l'abbigliamento protettivo e le scarpe da lavoro nell'area di lavoro per non trasportare polvere nel resto dell'edificio. Lavare l'abbigliamento da lavoro separatamente. Strofinare le scarpe con uno straccio umido quindi lavarle insieme all'abbigliamento. Lavare accuratamente corpo e capelli con acqua e sapone.

PERICOLO: ESPLOSIONE O INCENDIO

Questa pistola ad aria calda genera temperature elevatissime (fino a 600°C). Deve essere usata con cautela per evitare di infiammare il materiale combustibile.

PREVENZIONE:

- Mantenere la pistola ad aria calda in costante movimento. Non fermarsi o sostare in un dato punto.
- Usare estrema cautela se l'altro lato del materiale trattato è inaccessibile, come il rivestimento esterno di un edificio. Il lato nascosto potrebbe incendiarsi se diventa troppo caldo. Alcuni edifici contengono materiali altamente infiammabili dietro a rivestimenti esterni, pavimenti, gronde, pannelli del soffitto e di altro tipo. Controllare queste aree prima di applicare calore e non usare apparecchi termici se sono presenti materiali infiammabili o se non si conosce la natura dei materiali nascosti.
- Non utilizzarli vicino a superfici fessurate o in prossimità di tubi metallici o converse. Il calore può penetrare dietro la superficie di lavoro e infiammare il materiale nascosto. L'accensione di materiali nascosti può non essere immediatamente evidente e causare danni alle cose e alle persone.
- Non utilizzare apparecchi elettrici in presenza di liquidi o gas infiammabili.
- Evitare l'utilizzo vicino a materiali combustibili come erba secca, foglie e carta che possono prendere fuoco facilmente.
- L'ugello diventa molto caldo. Non posare la pistola ad aria calda su superfici infiammabili durante l'uso o subito dopo il suo spegnimento. Collocare sempre la pistola su una superficie piana e orizzontale in modo che la punta dell'ugello sia rivolta verso l'alto e lontano dalla superficie di supporto.
- Non toccare l'ugello finché l'apparecchio non si è raffreddato.
- Non usare la pistola ad aria calda come asciugacapelli.
- Gli apparecchi e i residui di vernice diventano molto caldi. Per evitare



ustioni, indossare guanti da lavoro e protezioni per gli occhi durante l'uso.

- Trattare sempre la pistola ad aria calda con la stessa cautela riservata alle fiamme aperte.
- Non utilizzare in presenza di un'atmosfera esplosiva.

PERICOLO: PARTI ELETTRICHE

Possono causare danni alle cose e lesioni gravi o mortali.

PREVENZIONE:

- Non disassemblare la pistola ad aria calda.
- Non lavorare in aree bagnate e non esporre la pistola ad aria calda alla pioggia o all'umidità.
- Proteggersi dalle scosse elettriche evitando il contatto del corpo con superfici messe a terra come tubi, radiatori, fornelli, scale in alluminio o altri dispositivi messi a terra.
- Utilizzare correttamente il cavo elettrico. Non trasportare mai la pistola ad aria calda mediante il cavo elettrico e non tirarlo per staccare l'apparecchio dall'alimentazione elettrica. Tenere il cavo elettrico lontano da calore, olio e bordi taglienti. Ispezionare regolarmente il cavo elettrico alla ricerca di danni e usura.
- Utilizzare solo cavi di prolunga adatti per l'utilizzo in esterni. Se una prolunga è danneggiata o altrimenti inadatta all'uso, sostituirla con una nuova.

PERICOLO DI GENERALITÀ

Può causare danni materiali o lesioni gravi.

PREVENZIONE:

- Quando non utilizzata, staccare sempre la pistola ad aria calda dall'alimentazione elettrica. Conservarla all'interno in un luogo asciutto e fuori dalla portata di bambini senza supervisione.
- Mantenere l'area di lavoro pulita e ben illuminata.
- Non sporgersi eccessivamente, soprattutto quando si lavora su scale. Mantenere sempre l'equilibrio e la stabilità. Accertarsi che le scale utilizzate siano robuste e stabili e installate su fondi solidi con angolazioni sicure.
- Evitare i cavi elettrici.
- Durante l'operazione mantenere gli elementi mobili stabili e sicuri.
- Durante il lavoro usare sempre occhiali di protezione.

- Rimanere vigili e utilizzare il buon senso durante l'uso di qualsiasi apparecchio.
- Non usare mai per scongelare tubi ghiacciati situati all'interno di pareti o vicino a combustibili. Per scongelare i tubi ghiacciati utilizzare sempre un ugello deflettore (codice art. 2366225).
- Non lasciare la pistola ad aria calda incustodita quando accesa.
- Questo apparecchio può essere usato da bambini a partire dagli 8 anni di età e da persone con ridotte capacità fisiche, sensoriali o mentali o prive di esperienza e conoscenze, purché siano supervisionate o abbiano ricevuto istruzioni circa l'uso sicuro dell'apparecchio comprendendone i pericoli. I bambini non devono giocare con l'apparecchio.
- Tenere l'apparecchio e il cavo fuori della portata di bambini di età inferiore a 8 anni.

COLLEGAMENTO ALLA RETE ELETTRICA (solo Regno Unito)

La presente pistola ad aria calda è fornita con un cavo elettrico dotato di fusibile. Questo è identificato dal porta-fusibili alla base della spina. Leggere le seguenti istruzioni di sicurezza prima dell'uso:

1. se il cavo elettrico è danneggiato, sostituirlo con un cavo nuovo per evitare pericoli di sicurezza. Contattare il servizio clienti Wagner per i cavi elettrici sostitutivi.
2. Non utilizzare **MAI** in alcuna circostanza la pistola ad aria calda o il cavo elettrico senza coperchio dei fusibili installato. Si tratta di un piccolo coperchio fissato alla base della spina per trattenere il fusibile in posizione.
3. In caso di perdita del coperchio dei fusibili, contattare un rivenditore di materiale elettrico o telefonare alla nostra help-line per ottenerne uno sostitutivo.
4. I fusibili sostitutivi devono avere una capacità di 13 A. Devono essere fabbricati e approvati secondo BS1362.
5. **IN CASO DI DUBBI CONSULTARE UN ELETTRICISTA QUALIFICATO.**

COLLEGAMENTO ALLA RETE ELETTRICA (tranne Regno Unito)

La presente pistola ad aria calda è fornita con un cavo elettrico. se il

cavo elettrico è danneggiato, sostituirlo con un cavo nuovo per evitare pericoli di sicurezza. Contattare il servizio clienti Wagner per i cavi elettrici sostitutivi.

IN CASO DI DUBBI CONSULTARE UN ELETTRICISTA QUALIFICATO.

AVVERTENZA - Utilizzare un cavo di prolunga adatto alla spina del prodotto. Verificare che il cavo di prolunga sia in buone condizioni. In caso di utilizzo di un cavo di prolunga, accertare che sia in grado di reggere la corrente aspirata dal prodotto. Un cavo sottodimensionato causerà una caduta della tensione di linea, con una conseguente perdita di potenza e surriscaldamento. Per impieghi generali è richiesto come minimo un cavo in gomma armonizzato H05RR-F da 3 x 1,0 mm².

Utilizzo della pistola ad aria calda

Descrizione generale

Questa pistola ad aria calda è un apparecchio elettrico di alta qualità. Come qualsiasi altro apparecchio elettrico, può essere pericolosa se impiegata in modo errato. Leggere attentamente le seguenti istruzioni e rispettare tutte le precauzioni di sicurezza. Il proprietario ha la responsabilità di utilizzare la pistola ad aria calda correttamente.

Specifiche

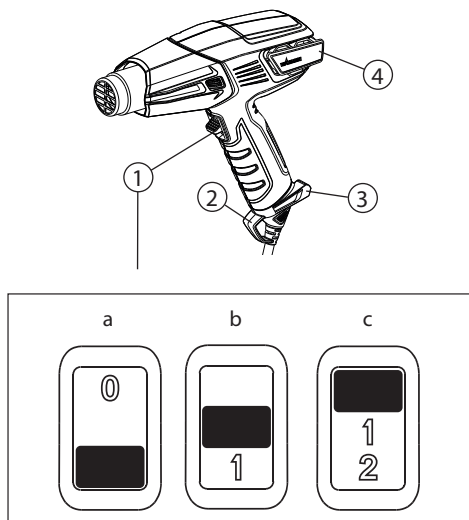
| | |
|---------------------|---|
| Alloggiamento | Polimeri ingegnerizzati resistenti agli urti, alla corrosione e al calore |
| Potenza elettrica | 1600 W con impostazione ALTA, 800 W con impostazione BASSA |
| Tensione | 220 - 240 V a.c. |
| Frequenza | 50 - 60 Hz |
| Emissione di calore | Circa 575°C con impostazione ALTA, circa 400°C con impostazione BASSA |
| Peso | 0,72 kg |

Descrizione dei componenti

Caratteristiche Fig. 1

- | |
|--|
| 1) Selettore di modalità a) 0 (SPENTO) b) 1 (TEMPERATURA BASSA) c) 2 (TEMPERATURA ALTA) |
| 2) Gancio di sospensione |
| 3) Stabilizzatori impugnatura e cavo elettrico (rimovibile con attrezzi) |
| 4) Alette di stabilizzazione posteriori (posizione verticale) |

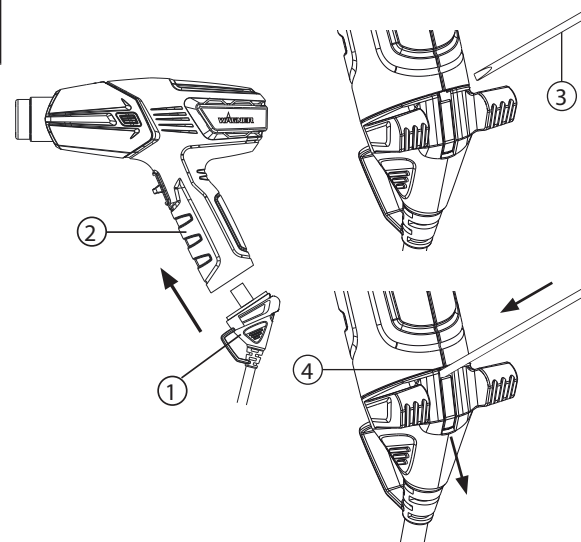
Fig. 1



Collegamento del cavo elettrico

Il cavo elettrico (Fig. 2, 1) della pistola ad aria calda è fornito staccato dalla pistola (Fig. 2, 2). Per collegarlo, allineare il cavo con la presa nell'impugnatura della pistola e premerli con decisione l'uno contro l'altro fino a udire un clic. Non occorre rimuovere il cavo elettrico. Qualora sia necessario staccarlo, inserire un piccolo cacciavite o attrezzo simile (Fig. 2, 3) nel foro come illustrato (Fig. 2, 4). Quando si percepisce resistenza all'estremità dell'apparecchio, esercitare pressione per abbassare il meccanismo di rilascio. Staccare con decisione il cavo elettrico dalla pistola.

Fig. 2



La pistola ad aria calda F300 è uno strumento estremamente versatile. Può essere usata per una grande varietà di progetti, da grandi lavori di fai da te fino a piccoli lavori di bricolage. Per maggiori dettagli su vari progetti e per video esplicativi, visitare il nostro sito web www.wagner-group.com.

| Utilizzo | | Temperatura | Opzioni della punta dell'ugello |
|--|--|-------------|---|
| Fai da te | Distacco della vernice | ALTA | Concentratore o concentratore a punta larga |
| | Riparare pareti | BASSA | Aperto (senza punta) |
| | Asciugare vernice | BASSA | Aperto (senza punta) |
| | Ammorbidire adesivi per rimuovere piastrelle | BASSA | Concentratore a punta larga |
| | Piegare plastica, plexiglass, formica | BASSA/ALTA | Ugello deflettore |
| | Rimuovere formica e linoleum | BASSA | Concentratore a punta larga |
| | Ammorbidire vernice, materiale isolante e stucco per facilitarne la rimozione (utilizzare il deflettore di calore) | ALTA | Concentratore o concentratore a punta larga |
| | Far ritirare film plastici per imballaggi o impermeabilizzazioni | BASSA | Concentratore a punta larga |
| Lavoretti (incluse riparazioni) | Allentare dadi, bulloni e raccordi arrugginiti | ALTA | Aperto/ concentratore |
| | Riparare jeans | BASSA | Concentratore a punta larga |
| | Briuciare erbacce | ALTA | Concentratore |

| Utilizzo | | Temperatura | Opzioni della punta dell'ugello |
|---------------------|--|--------------|---|
| | Rimuovere adesivi | BASSA | Aperto (senza punta) |
| | Applicare cera su sci/ snowboard | BASSA | Concentratore a punta larga |
| | Lavori con fibra di vetro | ALTA | Concentratore o concentratore a punta larga |
| | Scongelare tubi e serrature | BASSA | Ugello deflettore |
| | Accendere una griglia per il barbecue | ALTA | Concentratore / ugello BBQ |
| | Riscaldare il calcestruzzo prima di rattoppi | BASSA/ALTA | Concentratore |
| | Sbrinare frigoriferi / freezer | BASSA | Aperto (senza punta) |
| | Bricolage | Fare candele | BASSA |
| Fare il sapone | | BASSA | Aperto (senza punta) |
| Confezionare regali | | BASSA | Aperto (senza punta) |
| Fare schiuma | | BASSA | Aperto (senza punta) |
| Decorare dolci | | BASSA/ALTA | Aperto (senza punta) |
| Automotive | Rimuovere adesivi, emblemi e decalcomanie | BASSA | Aperto (senza punta) |
| | Rimuovere ammaccature | ALTA | Aperto (senza punta) |

| Utilizzo | | Temperatura | Opzioni della punta dell'ugello |
|--------------------|---|-------------|---|
| | Rimuovere vernice | ALTA | Concentratore o concentratore a punta larga |
| | Applicare e rimuovere pellicole oscuranti per vetri | BASSA | Aperto (senza punta) |
| | Riparare paraurti | ALTA | Aperto (senza punta) |
| Elettronica | Riparare smartphone e tablet | BASSA | Concentratore |
| | Riparare PlayStation e Xbox | BASSA | Concentratore |

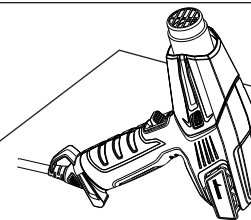
! Leggere sempre le informazioni di sicurezza contenute nel presente manuale prima di usare la pistola ad aria calda.

1. Collegare la pistola ad aria calda a una presa standard.
2. Accendere la pistola ad aria calda spostando l'interruttore sull'impostazione desiderata. Il rumore della ventola motorizzata indica che la pistola è in funzione.
3. Staccare sempre la pistola ad aria calda dall'alimentazione elettrica al termine del lavoro.

Utilizzo senza mani

La pistola ad aria calda è provvista di un supporto integrato (Fig. 3) per applicazioni da banco e per il raffreddamento.

Fig. 3



Nota: Al primo avvio può apparire fumo causato dalla combustione di oli di produzione. Il fumo dovrebbe disperdersi rapidamente dopo il primo avvio.

IMPORTANTE: se la ventola motorizzata della pistola non si accende quando l'interruttore viene impostato su LOW o HIGH, disattivare immediatamente l'interruttore. L'elemento riscaldante brucerà se non viene raffreddato dalla ventola motorizzata.

Nota: dopo averla spenta, posizionare sempre la pistola ad aria calda in verticale, sia per una breve pausa sia per riporla. Dopo lo spegnimento non posare l'unità sul fianco. Il calore rimarrebbe più a lungo nell'unità prolungando il tempo necessario per il raffreddamento. Riporre l'unità solo dopo che l'ugello si è raffreddato. Staccare la spina dell'unità prima di riporla per evitare l'avvio accidentale.

IMPORTANTE: Proteggere sempre il vetro quando si lavora in prossimità di finestre.



Non toccare l'ugello o qualsiasi altro utensile durante il lavoro. Questi diventano estremamente caldi e causano gravi ustioni. Indossare guanti per proteggere le mani da residui caldi.

Distacco della vernice

La pistola ad aria calda riscalda le superfici e ammorbidisce la vernice, che può quindi essere rimossa senza danneggiare le superfici. Alcune vernici possono ammorbidirsi anche se non formano bolle, altre possono diventare gommoso e altre ancora richiedono temperature più elevate.

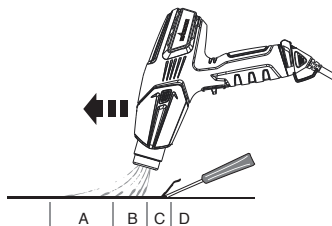
In caso di diversi strati di vernice, accelera il processo di distacco riscaldando a fondo la superficie fino al legno. Quindi gli strati possono essere rimossi in una volta sola.

Una spazzola metallica morbida può essere lo strumento migliore per superfici molto intricate. Vernici e finiture minerali, come la pittura per cemento e la porcellana, non si ammorbidiscono con il calore, quindi usare un apparecchio riscaldante non servirà a rimuoverle.

Il metodo migliore per rimuovere la vernice

Muovere la pistola ad aria calda lentamente e costantemente in avanti, inclinata rispetto alla superficie e con l'ugello rivolto nella direzione di movimento. Ciò consente di raschiare in sicurezza al di fuori del getto di aria calda e mantiene più freddi il raschietto e la superficie raschiata.

- A. L'aria calda preriscalda la superficie.
- B. La vernice viene ammorbidita dall'aria calda.
- A + B. Penetrazione in profondità del calore in tutta l'area.
- C. La vernice può essere facilmente raschiata via non appena è ammorbidita e la pistola viene fatta avanzare.
- D. La superficie raschiata viene lasciata raffreddare.



Nota: Non usare la pistola ad aria calda su superfici che possono essere danneggiate dal calore come pannelli, rivestimenti laterali o telai di finestre rivestiti in vinile.

Durante la rimozione della vernice da telai di finestre la pistola ad aria calda ammorbidisce lo stucco. Non rimuovere lo stucco con il raschietto. Lo stucco si indurirà raffreddandosi.

Non usare la pistola ad aria calda su vetro isolante laminato come il Thermopane. L'espansione del vetro può rompere la guarnizione sul bordo.

Quando si distaccano gronde, non surriscaldare i bordi delle tegole in asfalto che sporgono oltre il limite della copertura. Un calore eccessivo fonderà l'asfalto.

IMPORTANTE: Se si osservano le linee guida suddette la rimozione della vernice con una pistola ad aria calda è sicura; tenere comunque sempre a portata di mano un recipiente d'acqua o un estintore ABC (adatto per incendi di Classe A, B e C).

Pulizia e manutenzione

Mantenere puliti e privi di ostruzioni i fori di aspirazione dell'alloggiamento. Usare una spazzola morbida e asciutta per pulire periodicamente i fori. Per pulire la pistola ad aria calda usare unicamente sapone delicato e un panno umido. Molti detergenti domestici contengono sostanze chimiche che potrebbero danneggiare gravemente l'alloggiamento.

Per la pulizia della pistola ad aria calda non usare petrolio, trementina, diluenti per vernici, fluidi per la pulizia a secco o prodotti simili.

Non permettere **MAI** la penetrazione di liquidi all'interno dell'apparecchio e non immergere alcuna sua parte in liquidi.

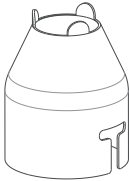
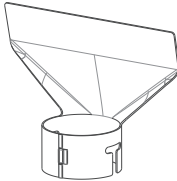
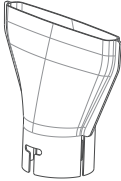

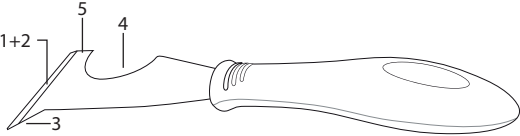
La pulizia e la manutenzione a carico dell'utente non devono essere effettuate da bambini di età inferiore agli 8 anni senza supervisione.

Conservazione

Lasciare raffreddare a temperatura ambiente l'ugello della pistola ad aria calda prima di riporlo. Nel tempo l'ugello si scurisce a causa del calore elevato. Ciò è normale e non influisce sulle prestazioni o la durata dell'apparecchio.

Accessori

I seguenti accessori possono essere forniti in dotazione con la pistola ad aria calda oppure possono essere acquistati separatamente sul sito www.wagner-group.com/service. In alternativa cercare sul retro del manuale il centro di assistenza più vicino.

| Nome | Descrizione | Nome | Descrizione |
|---|---|---|---|
| Ugello concentratore P/N2366222 |  | Ugello per la protezione del vetro P/N2366224 |  |
| Ugello concentratore a punta larga P/N2366223 |  | Ugello deflettore P/N2366225 |  |
| Nome | Descrizione | | |
|  | Raschietto 5-in-1 P/N2366227 | Questo utensile ha 5 funzioni: La lama è usata per (1) raschiare la vernice e (2) spargere composti. Il punto scanalato (3) è usato per rimuovere stucco/ sigillanti da fessure aperte. L'area curva (4) è usata per pulire copricarrelli. Il lato piatto (5) può essere usato per aprire barattoli di vernice. | |

IMPORTANTE: Indossare sempre guanti quando si maneggia la pistola ad aria calda.

Per fissare un accessorio optional alla pistola ad aria calda:

1. Posizionare la pistola ad aria calda in verticale su una superficie piana e attendere che la punta sia fredda.
2. Collocare l'accessorio sulla punta della pistola ad aria calda e spingerlo manualmente in posizione.

Per rimuovere l'accessorio optional dalla pistola ad aria calda:

1. Posizionare la pistola ad aria calda in verticale su una superficie piana e attendere che la punta sia fredda.
2. tirare l'accessorio rimuovendolo dalla punta.

Registrazione del prodotto

Registrate il vostro prodotto online all'indirizzo www.wagner-group.com/3plus1 per avere diritto ad 1 anno di garanzia aggiuntivo.

3+1 anni di garanzia

La garanzia ha una durata di tre anni, a partire dalla data di vendita (scontrino). La garanzia è prolungata di ulteriori 12 mesi se l'apparecchio viene registrato online entro 4 settimane dall'acquisto sul sito www.wagner-group.com/3plus1. La registrazione è possibile solo se l'acquirente accetta che i dati che deve immettere siano memorizzati. La garanzia copre ed è limitata alla correzione gratuita di difetti per i quali è possibile dimostrare che sono riconducibili all'uso di materiali difettosi durante la produzione o a errori di assemblaggio o alla sostituzione gratuita di parti difettose. La garanzia non copre l'uso scorretto o la messa in servizio, l'installazione o lavori di riparazione non indicati nelle nostre istruzioni di funzionamento. Anche le parti soggette a usura sono escluse dalla garanzia. La garanzia esclude l'utilizzo commerciale. Ci riserviamo espressamente il diritto di accettare la garanzia. La garanzia decade se l'apparecchio viene aperto da persone diverse dal personale assistenziale Wagner. Danni di trasporto, lavori di manutenzione e perdite e danni causati da lavori di manutenzione errati non sono coperti da garanzia. Per qualsiasi richiesta di garanzia, occorre dimostrare l'acquisto dell'apparecchio mediante presentazione della ricevuta originale. Quando legalmente possibile, escludiamo qualsiasi responsabilità per lesioni, danni o perdite conseguenti, in particolar modo se l'apparecchio è stato utilizzato per scopi diversi da quelli indicati nelle istruzioni di funzionamento, non è stato messo in servizio o riparato secondo le nostre istruzioni di funzionamento o le riparazioni sono state eseguite da persone non qualificate. Ci riserviamo il diritto di effettuare riparazioni oltre a quelle indicate nelle nostre istruzioni di funzionamento. In caso di garanzia o riparazione, fare riferimento al

proprio punto vendita. La presente garanzia non influisce sui vostri diritti di legge.

INFORMAZIONI SULLO SMALTIMENTO DI APPARECCHIATURE ELETTRICHE ED ELETTRONICHE (WEEE)

Richiamiamo la vostra attenzione sulle nuove direttive applicabili allo smaltimento di apparecchiature elettriche secondo le quali, in conformità alla legge, il presente prodotto non può essere smaltito come un normale rifiuto domestico. È invece vostra responsabilità smaltire questo tipo di rifiuto consegnandolo agli speciali punti di raccolta designati per il recupero e il riciclaggio. Questo prodotto è contrassegnato con il simbolo del "bidone della spazzatura" su cui è apposta una croce per rammentarvi questo dovere. L'obiettivo di questa direttiva è quello di aiutare a preservare le risorse e a provvedere a un riciclaggio che protegga la salute umana e l'ambiente. Per maggiori informazioni sui punti per la raccolta dei vostri rifiuti contattate le autorità locali; i centri di ritiro sono gratuiti.



Dichiarazione CE di conformità

Il prodotto è conforme alla direttiva sulla bassa tensione 2014/35/UE, alla direttiva EMC 2014/30/UE, alla direttiva RoHS 2011/65/UE e al regolamento REACH 1907/2006.



Información importante para la seguridad • Lea toda la información para la seguridad antes de utilizar el equipo. Conserve estas instrucciones

Con el fin de reducir los riesgos de incendio, explosión, electrocución y lesiones a personas es necesario leer y comprender todas las instrucciones contenidas en este manual. Familiarícese con los controles y el uso correcto del equipo.



Indica una situación peligrosa; en caso de que no se evite, se podrían producir la muerte o lesiones graves.

PELIGRO: TÓXICO

Al retirar pintura se debería proceder con una precaución extrema. La capa desprendida, los residuos y los vapores de pintura pueden contener plomo, que es tóxico. Cualquier pintura aplicada en hogares antes de 1950 contiene probablemente plomo. Cualquier pintura fabricada antes de 1977 puede contener plomo. Una vez que la pintura esté depositada en superficies, el contacto entre la mano y la boca puede causar una ingestión de plomo. La exposición incluso a niveles bajos de plomo puede causar daños irreversibles al cerebro y al sistema nervioso. Niños pequeños y fetos son particularmente vulnerables al envenenamiento por plomo.

Antes de iniciar cualquier proceso de retirada de pintura, debería determinar si la pintura a retirar contiene plomo. Esto se puede hacer a través de su departamento de salud local o un profesional que utilice un analizador de pintura para comprobar el contenido de plomo de la pintura a retirar. La pintura basada en plomo solo debería ser retirada por un profesional y no se debería utilizar una pistola de aire caliente para este fin.

PREVENCIÓN:

Traslade la pieza de trabajo al aire libre, protegida contra la lluvia. Si esto no fuera posible, mantenga el área de trabajo bien ventilado. Abra las ventanas y coloque un ventilador extractor en una de ellas. Asegúrese de que el ventilador mueve el aire desde dentro hacia fuera.

- Retire o cubra moquetas, alfombras, muebles, ropa, utensilios de cocina y conductos de aire.
- Coloque lonas en el área de trabajo para retener la pintura descascarada y fragmentada. Lleve ropa protectora, tales como

camisas de trabajo adicionales, monos y gorras.

- Trabaje solo en una habitación a la vez. Los muebles se deberían retirar o colocar en el centro de la habitación y cubrir. Las áreas de trabajo se deberían aislar del resto de la vivienda, sellando las puertas con lonas.
- Los niños y las mujeres embarazadas o potencialmente embarazadas, así como las madres lactantes no deberían estar presentes en el área de trabajo hasta que el trabajo y la posterior limpieza hayan finalizado.
- Lleve una máscara respiratoria antipolvo homologada o una máscara respiratoria de filtro doble para polvo y humo. Estas máscaras y filtros intercambiables están disponibles en cualquier ferretería grande. Asegúrese de que la máscara se adapte correctamente. Una barba o vello facial pueden impedir la adaptación correcta de la máscara. Cambie los filtros con frecuencia. Las máscaras de papel desechables no son apropiadas.
- Proceda con precaución al utilizar la pistola de aire caliente. Mantenga la pistola de aire caliente en movimiento, dado que un calor excesivo genera humos que pueden ser inhalados por el operador.
- Mantenga los alimentos y las bebidas fuera del área de trabajo. Lave las manos, los brazos y la cara antes de comer o beber. No fume y no mastique chicle ni tabaco en el área de trabajo.
- Retire toda la pintura desprendida y el polvo fregando los suelos en húmedo. Utilice un trapo mojado para limpiar todas las paredes, umbrales y otras superficies en las cuales se haya adherido el polvo de pintura. No limpie con una escoba, un trapo seco o un aspirador. Utilice un detergente con alto contenido de fosfato trisódico (TSP) para lavar y fregar las zonas.
- Al finalizar cada sesión de trabajo, ponga los trozos de pintura y los desechos en una bolsa de plástico doble, ciérrela con cinta adhesiva o un alambre de cierre y deséchela correctamente.
- Quítese la ropa protectora y el calzado de trabajo en el área de trabajo para evitar arrastrar polvo al resto del edificio. Lave la ropa

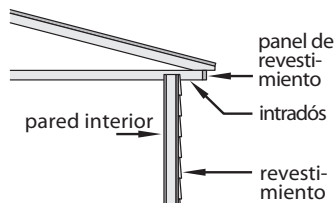
de trabajo por separado. Limpie el calzado con un trapo mojado y lávelo después junto con la ropa de trabajo. Lávese el cabello y el cuerpo a fondo con agua y jabón.

PELIGRO: EXPLOSIÓN O INCENDIO

Esta pistola de aire caliente produce unas temperaturas extremadamente elevadas (hasta 600°C). Se tiene que utilizar con precaución para evitar que se enciendan materiales combustibles.

PREVENCIÓN:

- Mantenga la pistola de aire caliente constantemente en movimiento. No pare ni se detenga en un mismo lugar.
- Proceda con una precaución extrema si el lado lado del material a rasar no es accesible, tal como ocurre, por ejemplo, con el revestimiento de una casa. El lado oculto podría inflamarse si se calienta excesivamente. Algunos edificios contienen materiales altamente inflamables detrás de paredes de revestimiento, suelos, paneles de revestimiento, intradoses y otros paneles. Compruebe estas zonas antes de aplicar calor y no utilice una herramienta de calor si existen materiales inflamables o no está seguro de las características del material oculto.
- No utilice el equipo en la proximidad de superficies con grietas o de tuberías metálicas o vierteaguas. El calor puede ser conducido detrás de la superficie de trabajo e inflamar materiales ocultos. Es posible que la inflamación de materiales ocultos no sea evidente y pueda causar daños materiales y lesiones.
- No utilice herramientas eléctricas en presencia de líquidos o gases inflamables.
- No utilice el equipo en la proximidad de materiales combustibles, tales como hierba seca, hojas y papel, ya que se pueden chamuscar e inflamar.
- La boquilla alcanza una temperatura muy elevada. No deposite la pistola de aire caliente en una superficie inflamable mientras la esté utilizando o inmediatamente después de desconectarla. Coloque la pistola siempre en una superficie plana y horizontal, de manera que



la boquilla está dirigida hacia arriba y se encuentra apartada de la superficie de apoyo.

- No toque la boquilla hasta que la herramienta se haya enfriado.
- No utilice la pistola de aire caliente como secador de cabello.
- Las herramientas y la pintura rascada alcanzan temperaturas muy elevadas. Para evitar quemaduras, utilice guantes de trabajo y una protección ocular al rasar.
- Trate la pistola de aire caliente siempre con la misma precaución que una llama descubierta.
- No utilizar en atmósferas explosivas.

PELIGRO: ELECTRICIDAD

Se pueden causar daños materiales, lesiones graves o la muerte.

PREVENCIÓN:

- No desmonte la pistola de aire caliente.
- No trabaje en entornos húmedos y no exponga la pistola de aire caliente a la lluvia o la humedad.
- Protéjase contra descargas eléctricas evitando el contacto del cuerpo con superficies con puesta a tierra, tales como tuberías, radiadores, cocinas, escaleras de aluminio y otros dispositivos con puesta a tierra.
- Trate correctamente el cable de alimentación. No transporte la pistola de aire caliente nunca por el cable de alimentación ni tire de éste último para sacarlo de la toma de corriente. Mantenga el cable de alimentación alejado de calor, aceite y cantos afilados. Controle regularmente que el cable de alimentación no muestre defectos ni desgaste.
- Utilice únicamente cables de prolongación homologados para el uso en el exterior. Si un cable de prolongación está dañado o es inadecuado para el uso por otros motivos, sustitúyalo por otro cable de prolongación nuevo.

PELIGRO: GENERAL

Se pueden causar daños materiales o lesiones graves.

PREVENCIÓN:

- Desconecte la pistola de aire caliente siempre de la alimentación eléctrica cuando no la esté utilizando. Guárdela en el interior, en un lugar seco y fuera del alcance de niños sin supervisión.

- Mantenga su área de trabajo limpia y bien iluminada.
- No se extienda excesivamente, sobre todo al trabajar en escaleras. Mantenga en todo momento una postura estable y equilibrada. Asegúrese de que las escaleras utilizables sean sólidas y estables y que estén colocadas en una superficie firme y elevadas con un ángulo de trabajo seguro.
- Evite líneas eléctricas.
- Mantenga los elementos móviles asegurados y firmes mientras esté rascando. Utilice siempre gafas protectoras al trabajar.
- Manténgase atento y utilice el sentido común al manejar cualquier herramienta.
- No utilice nunca el equipo para descongelar tuberías congeladas en el interior de paredes o en la proximidad de combustibles. Utilice siempre la boquilla reflectora (P/N2366225) para descongelar tuberías.
- No deje la pistola de aire caliente sin supervisión mientras esté conectada.
- Este aparato puede ser utilizado por niños a partir de los 8 años y personas con capacidades físicas, sensoriales o mentales reducidas o con falta de experiencia y conocimientos, siempre que trabajen bajo vigilancia o hayan recibido una instrucción con respecto al uso seguro del aparato y comprendan los riesgos potenciales. Los niños no deben jugar con el aparato.
- Mantenga el aparato y su cable fuera del alcance de niños menores de 8 años.

CONEXIÓN DE RED (solo UK)

Esta pistola de aire caliente se suministra con un cable de alimentación con fusible incorporado. Este se reconoce por el portafusibles en la base del enchufe. Antes del uso, lea atentamente las siguientes instrucciones de seguridad:

1. Si el cable de alimentación está dañado, sustitúyalo por otro nuevo para evitar riesgos. Póngase en contacto con el servicio postventa de Wagner para obtener un cable de recambio.
2. **BAJO NINGÚN CONCEPTO** se debe utilizar la pistola de aire caliente o el cable de alimentación si no está colocada la tapa del fusible. Se trata de la pequeña tapa fijada en la base del enchufe para mantener el fusible en su sitio.

3. En caso de pérdida de la tapa del fusible, contacte con cualquier distribuidor de artículos de electricidad para adquirir una pieza de repuesto o llame a nuestra línea de atención telefónica.
4. El fusible de recambio debe tener una capacidad de 13 A. Debe estar fabricado y homologado según BS1362.
5. **EN CASO DE DUDAS, CONSULTE A UN ELECTRICISTA CUALIFICADO.**

CONEXIÓN DE RED (no UK)

Esta pistola de aire caliente se suministra con un cable de alimentación. Si el cable de alimentación está dañado, sustitúyalo por otro nuevo para evitar riesgos. Póngase en contacto con el servicio postventa de Wagner para obtener un cable de recambio.

EN CASO DE DUDAS, CONSULTE A UN ELECTRICISTA CUALIFICADO.

ADVERTENCIA - Utilice un cable de prolongación compatible con el fusible en el producto. Asegúrese de que su cable de prolongación se encuentra en perfecto estado. En caso de utilizar un cable de prolongación, compruebe que éste sea lo suficientemente resistente para soportar la corriente usada por su producto. Un cable con un tamaño insuficiente causa una caída de la tensión de red, con el resultado de una pérdida de potencia y un sobrecalentamiento. Para el uso general se requiere, como mínimo, un cable de goma armonizado del tipo H05RR-F 3 x 1,0 mm².

Uso de la pistola de aire caliente

Descripción general

Esta pistola de aire caliente es una herramienta eléctrica de alta calidad. Al igual que cualquier otra herramienta eléctrica puede ser peligrosa si se utiliza de manera incorrecta. Lea atentamente las siguientes instrucciones y observe todas las medidas de seguridad. El propietario es responsable del uso correcto de la pistola de aire caliente.

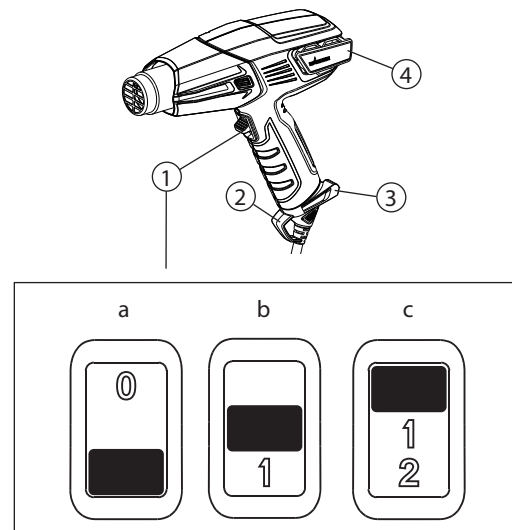
Especificaciones

| | |
|-------------------------|--|
| Carcasa | Polímeros técnicos altamente resistentes a impactos, corrosión y calor |
| Potencia | 1600 W en posición ALTA, 800 W en posición BAJA |
| Tensión | 220 - 240 V CA |
| Frecuencia | 50 - 60Hz |
| Potencia de calefacción | Aprox. 575°C en posición ALTA, aprox. 400°C en posición BAJA |
| Peso | 0,72 kg |

Descripción de los componentes

| Características Fig. 1 |
|---|
| 1) Selector de modo a) 0 (APAGADO) b) 1 (BAJA) c) 2 (ALTA) |
| 2) Gancho de suspensión |
| 3) Estabilizadores del mango y cable de alimentación (desmontable con herramientas) |
| 4) Aletas estabilizadoras posteriores (soporte) |

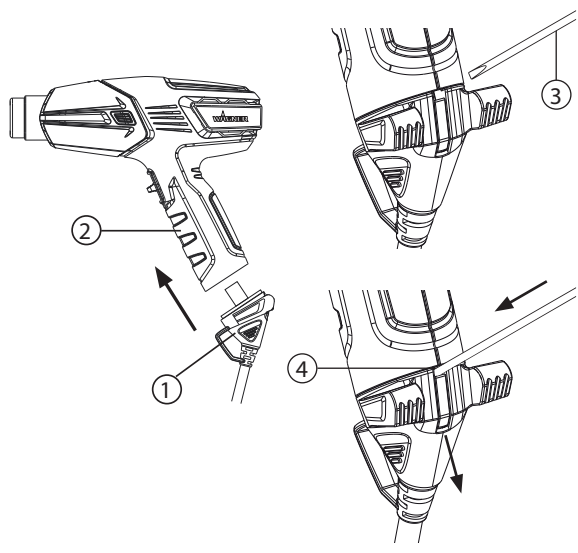
Fig. 1



Fijación del cable de alimentación

El cable de alimentación (Fig. 2, 1) para la pistola de aire caliente se entrega separado de la pistola (Fig. 2, 2). Para fijarlo, alinee el cable con la toma en el mango de la pistola y apriete firmemente hasta oír un clic. No se requiere quitar el cable de alimentación. Si fuera necesario separarlo, inserte un destornillador pequeño o una herramienta similar (Fig. 2, 3) en el agujero tal como se muestra (Fig. 2, 4). Una vez que se perciba una resistencia en extremo de la herramienta, aplique presión para presionar el mecanismo de desbloqueo hacia abajo. Retire el cable de alimentación firmemente de la pistola.

Fig. 2



La pistola de aire caliente F300 es una de las herramientas más versátiles que pueda poseer. Se puede utilizar para una gran variedad de proyectos, desde grandes tareas de bricolaje hasta pequeñas aplicaciones en la artesanía. Para más detalles sobre múltiples proyectos y vídeos con instrucciones de uso, visite nuestra página web www.wagner-group.com.

| Uso | Temperatura | Opciones punta de boquilla | |
|--|---|----------------------------|--------------------------------------|
| Bricolaje | Retirada de pintura | ALTA | Concentración o amplia |
| | Reparar paredes | BAJA | Abierta (sin punta) |
| | Secar de pintura | BAJA | Abierta (sin punta) |
| | Reblandecer adhesivos para retirar baldosas | BAJA | Concentración amplia |
| | Curvar plásticos, plexiglás, fórmica | BAJA/ ALTA | Boquilla reflectora |
| | Retirar fórmica y linóleo | BAJA | Concentración amplia |
| | Reblandecer pintura, calafateo y masilla para facilitar su retirada (utilice el deflector de calor) | ALTA | Concentración o concentración amplia |
| | Contraer lámina de plástico para embalaje o protección contra la intemperie | BAJA | Concentración amplia |
| Tareas pequeñas (incluyendo reparaciones) | Aflojar tuercas, tornillos y accesorios oxidados | ALTA | Abierta/ concentración |
| | Reparar tejados | BAJA | Concentración amplia |
| | Quemar de malas hierbas | ALTA | Concentración |
| | Retirar de adhesivos | BAJA | Abierta (sin punta) |
| | Encerar esquís/snowboard | BAJA | Concentración amplia |

| Uso | | Temperatura | Opciones punta de boquilla |
|--------------------|--|---------------|---|
| | Trabajos con fibra de vidrio | ALTA | Concentración o amplia |
| | Descongelar tuberías y cerraduras | BAJA | Boquilla reflectora / abierta (sin punta) |
| | Encender barbacoas | ALTA | Concentración / boquilla para barbacoa |
| | Calentar hormigón antes de aplicar parches | BAJA/ ALTA | Concentración |
| | Descongelar frigorífico/ congelador | BAJA | Abierta (sin punta) |
| Artesanía | Fabricar velas | BAJA | Abierta (sin punta) |
| | Fabricar jabón | BAJA | Abierta (sin punta) |
| | Embalar regalos en lámina termoencogible | BAJA | Abierta (sin punta) |
| | Conformación de espuma | BAJA | Abierta (sin punta) |
| | Decoración de galletas | BAJA/ ALTA | Abierta (sin punta) |
| Automóvil | Retirar pegatinas, distintivos y calcomanías | BAJA | Abierta (sin punta) |
| | Eliminar abolladuras | ALTA | Abierta (sin punta) |
| | Retirar pintura | ALTA | Concentración o amplia |
| | Aplicar y retirar tinte de cristales | BAJA | Abierta (sin punta) |
| | Renovar parachoques | ALTA | Abierta (sin punta) |
| Electrónica | Reparación de smartphones y tabletas | BAJA | Concentración |
| | Reparación de PlayStation y Xbox | BAJA | Concentración |



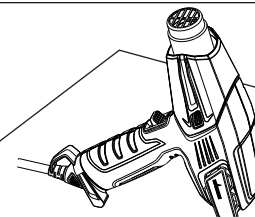
Lea siempre la información de seguridad contenida en este manual antes de utilizar la pistola de aire caliente.

1. Enchufe la pistola de aire caliente en una toma de corriente estándar.
2. Conecte la pistola de aire caliente colocando el conmutador en la posición deseada. El ruido del ventilador motorizado indica que la pistola de aire caliente está en funcionamiento.
3. Al finalizar la tarea, desconecte la pistola de aire caliente siempre de la alimentación eléctrica.

Funcionamiento manos libres

La pistola de aire caliente tiene un soporte integrado (Fig. 3) para la colocación en el banco de trabajo y para el enfriamiento.

Fig. 3



Nota: Durante la primera puesta en funcionamiento puede aparecer humo al quemarse el aceite utilizado durante la fabricación., Este humo debería desaparecer poco después de la primera conexión.

IMPORTANTE: Si el ventilador motorizado en la pistola de aire caliente no se conecta al colocar el interruptor en LOW o HIGH, desconecte inmediatamente el equipo con el interruptor. El elemento calentador se quema si no es refrigerado por el ventilador motorizado.

Nota: Coloque la pistola de aire caliente siempre en posición vertical después de desconectarla, ya sea para una breve interrupción del trabajo o para su almacenamiento. Evite colocar el equipo sobre un lado después de apagarlo. El calor se mantiene en el interior del equipo y el enfriamiento dura más. Solo debe guardar el equipo una vez que la boquilla esté fría. Desenchufe el equipo antes de guardarlo para evitar una puesta en funcionamiento accidental.

IMPORTANTE: Proteja siempre los cristales al trabajar en la proximidad de ventanas.



No toque la boquilla u otras herramientas utilizadas al trabajar. Éstas alcanzan temperaturas muy elevadas y causarían graves quemaduras. Lleve guantes para proteger las manos contra raspaduras calientes.

Retirada de pintura

La pistola de aire caliente calienta la superficie y reblandece así la pintura, con lo cual ésta se puede retirar fácilmente con una rasqueta sin dañar la superficie. Algunas pinturas se pueden reblandecer aunque no formen ampollas; algunas se pueden volver gomosas y algunas pueden necesitar una temperatura más alta.

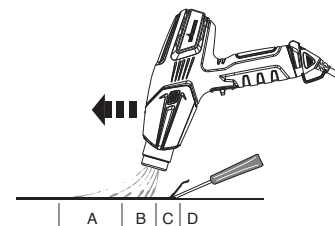
Al trabajar con varias capas de pintura, el proceso de raspado se agiliza calentando a fondo la superficie hasta la madera. Entonces se pueden raspar todas las capas a la vez.

Para superficies muy complejas puede ser conveniente utilizar un cepillo de alambre suave. Pinturas minerales y acabados como pintura de cemento y porcelana no se reblandecen con el calor; en consecuencia, el uso de una herramienta de calentamiento no funciona para retirar la pintura.

El mejor método para retirar pintura

Mueva la pistola de aire caliente lenta y uniformemente hacia delante, manteniéndola en un determinado ángulo frente a la superficie y apuntando la boquilla en la dirección de movimiento. Esto permite rasgar con seguridad fuera de la corriente de aire caliente y mantiene más frescos tanto el rascador como la superficie a raspar.

- A. El aire caliente precalienta la superficie.
- B. La pintura se reblandece bajo el efecto del aire caliente.
- A + B. Penetración profunda del calor en todo el área.
- C. La pintura se puede rasgar fácilmente una vez que se haya reblandecido y la pistola se haya movido hacia delante.
- D. Se deja enfriar la superficie raspada.



Nota: No utilice la pistola de aire caliente en superficies que puedan sufrir daños por calor, tales como paneles, revestimientos o marcos de ventana con recubrimiento de vinilo.

Al retirar pintura de marcos de ventana, la pistola de aire caliente reblandece la masilla. Tenga cuidado de no ranurar la masilla con el rascador. La masilla se vuelve a endurecer al enfriarse.

No utilice la pistola de aire caliente en cristales de ventana con láminas aislantes, tales como Thermopane. La expansión del borde del cristal puede romper el sellado de los bordes.

Al rasgar paneles de revestimiento, no sobrecaliente los bordes de las tejas de asfalto que sobresalen del borde del revestimiento. Un calor excesivo funde el asfalto.

IMPORTANTE: La retirada de pintura con la ayuda de una pistola de aire caliente es segura si se observan las instrucciones anteriores. Sin embargo, mantenga siempre a mano un recipiente de agua o un extintor ABC (apropiado para incendios de la clase A, B y C).

Limpieza y mantenimiento

Mantenga los orificios de entrada en la carcasa limpios y libres. Utilice un cepillo suave y seco para limpiar periódicamente los orificios.

Utilice únicamente jabón suave y un trapo húmedo para limpiar la pistola de aire caliente. Muchos limpiadores domésticos contienen sustancias químicas que podrían causar serios daños en la carcasa.

No utilice petróleo, trementina, diluyente de lacas o pinturas, líquidos para la limpieza en seco u otros productos para limpiar la pistola de aire caliente.

NUNCA deje que penetren líquidos en el interior de la herramienta ni sumerja cualquier parte de la herramienta en líquidos.

La limpieza y el mantenimiento por parte del usuario no deberían ser realizados por niños, a no ser que sean mayores de 8 años y lo hagan bajo supervisión.

Almacenamiento

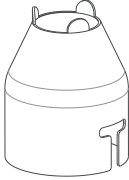
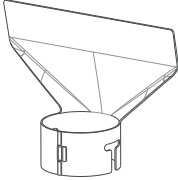
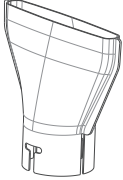

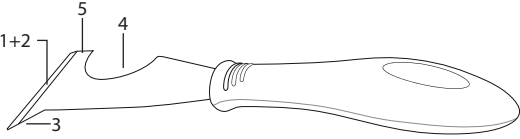
Deje enfriar la pistola de aire caliente a la temperatura ambiente antes de guardarla.

Debido a las altas temperaturas, lo boquilla se vuelve negra con el tiempo. Esto es normal y no afecta a las prestaciones ni a la vida útil del equipo.

Accesorios

Los siguientes accesorios pueden estar incluidos en el volumen de entrega de la pistola de aire caliente o se pueden adquirir separadamente a través de www.wagner-group.com/service.

Como alternativa, consulte la contraportada del manual para localizar el Centro de servicio técnico más cercano.

| Nombre | Descripción | Nombre | Descripción |
|--|---|--|--|
| Boquilla de concentración P/N2366222  | Dirige un flujo de calor concentrado hacia la superficie de trabajo. Ideal para retirar pintura en esquinas de difícil acceso, grietas, molduras o arquitrabes. | Boquilla de protección para vidrio P/N2366224  | Desvía el calor para la protección de vidrio y otras zonas sensibles. Ideal para alféizares, cornisas, marcos y rodapiés. |
| Boquilla de concentración amplia P/N2366223  | Dirige un patrón de calor largo y estrecho hacia la superficie de trabajo. Ideal para eliminar pintura o barniz de grandes superficies planas, tales como zócalos, puertas, escaleras, etc. Se debería utilizar en combinación con un rascador plano. | Boquilla reflectora P/N2366225  | Dispersa el calor uniformemente en toda la superficie de trabajo. Ideal para descongelar tuberías congeladas, soldar tuberías, curvar plásticos o encoger manguitos para el aislamiento eléctrico. |
| Nombre | | Descripción | |
|  | | Detalles de la herramienta rascadora 5 en 1 P/N2366227 Esta herramienta tiene 5 funciones. La hoja se utiliza para (1) rascar pintura y (2) extender materiales compuestos. La punta de ranurado (3) se utiliza para retirar masilla/calafateo de grietas abiertas. El área curvada (4) se utiliza para limpiar cubiertas de rodillo. El lado plano (5) se puede utilizar para abrir botes de pintura. | |

IMPORTANTE: Utilice siempre guantes al manejar la pistola de aire caliente.

Para fijar un elemento adicional en la pistola de aire caliente:

1. Coloque la pistola de aire caliente en posición vertical en una superficie plana y espere hasta que la punta se haya enfriado.
2. Coloque el elemento en la punta de la pistola de aire caliente y presione firmemente con la mano para encajarlo.

Para retirar un elemento adicional de la pistola de aire caliente:

1. Coloque la pistola de aire caliente en posición vertical en una superficie plana y espere hasta que la punta se haya enfriado.
2. Retire el elemento de la punta.

Registro del producto

Registre su producto online en www.wagner-group.com/3plus1 para tener derecha a la garantía adicional de 1 año.

Garantía de 3+1 años

La garantía tiene una duración de tres años a partir de la fecha de venta (comprobante de compra). La garantía se extiende en 12 meses adicionales al registrar el aparato online en un plazo de 4 semanas desde su compra a través de www.wagner-group.com/3plus1. El registro solo es posible si el comprador declara su conformidad con el almacenamiento de los datos introducidos durante el registro. La garantía está limitada a la corrección gratuita de fallos imputables de forma demostrable al uso de materiales defectuosos en la fabricación o a errores en el montaje; o bien la sustitución gratuita de los elementos defectuosos. La garantía no cubre el uso incorrecto ni la ejecución de trabajos de puesta en servicio, montaje y reparación que no se encuentren descritos en nuestras instrucciones de servicio. Asimismo, las piezas de desgaste están excluidas de la garantía. La garantía no cubre el uso comercial. Nos reservamos expresamente el derecho de cumplimiento de la garantía. La garantía se extingue en caso de apertura de la herramienta por personas que no pertenezcan al servicio técnico de Wagner. La garantía no cubre daños de transporte, trabajos de mantenimiento y pérdida o defecto por causa de un mantenimiento incorrecto. Cualquier reclamación bajo garantía se deberá acompañar del comprobante de compra original de la herramienta. En la medida que lo permita la ley, excluimos toda responsabilidad en caso de lesiones, daños o pérdidas consecuenciales, especialmente en caso de uso de la herramienta para fines no indicados en las instrucciones de servicio, puesta en servicio o reparación de una manera no prevista en nuestras instrucciones de servicio o ejecución de reparaciones por personas no cualificadas. Nos reservamos el derecho de realizar

reparaciones que superen las indicaciones contenidas en nuestras instrucciones de servicio. En caso de reclamación bajo garantía o reparación, consulte a su punto de venta. Esta garantía no afecta a sus derechos legales.

INFORMACIÓN SOBRE LA ELIMINACIÓN DE RESIDUOS DE APARATOS ELÉCTRICOS Y ELECTRONICOS (DENOMINADOS COMO RAEE)

Llamamos su atención sobre las nuevas directivas aplicables para la eliminación de estos equipos eléctricos, según las cuales, conforme a la legislación, no se permite desechar el producto en cuestión con la basura doméstica normal. En lugar de ello, usted es responsable de desechar este tipo de residuos entregándolos a los puntos de recogida especialmente designados para su recogida y reciclaje. Este producto está marcado con un símbolo de "contenedor de basura" tachado para recordarle la necesidad de esta acción. Esta directiva tiene el objetivo de contribuir a un uso responsable de los recursos y asegurar que sean reciclados de una manera que proteja la salud de las personas y el medio ambiente. Para más información sobre los puntos de recogida de residuos, sírvase consultar a sus autoridades locales; las posibilidades de devolución son gratuitas.



Declaración CE de conformidad

Este producto corresponde a la Directiva de Baja Tensión 2014/35/UE, la Directiva de CEM 2014/30/UE, la Directiva RoHS 2011/65/UE y el Reglamento REACH 1907/2006.



Informação de Segurança Importante • Leia toda a informação de segurança antes de utilizar o equipamento. Guarde estas instruções

Para reduzir os riscos de incêndio ou explosão, choque elétrico e lesões em pessoas, leia e procure compreender bem todas as instruções incluídas neste manual. Familiarize-se com os controlos e a utilização correta do equipamento.



Indica uma situação perigosa a qual, se não for evitada, poderá resultar em morte ou ferimento grave.

PERIGO: INTOXICAÇÃO

Deve haver um extremo cuidado ao remover tinta. Os resíduos do descascamento e os vapores da tinta podem conter chumbo, que é tóxico. Qualquer tinta aplicada em casas anteriores a 1950 contém muito provavelmente chumbo. Qualquer tinta produzida antes de 1977 poderá eventualmente conter chumbo. Quando a tinta é depositada em superfícies, o contacto de mãos para boca pode resultar na ingestão de chumbo. A exposição a níveis de chumbo, mesmo sendo baixos, pode causar danos irreversíveis no cérebro e sistema nervoso. As crianças e os nascituros são particularmente vulneráveis à intoxicação por chumbo.

Antes de iniciar o processo de remoção de qualquer tinta, deve verificar se a tinta que vai remover contém chumbo. Pode ser feito pelo seu departamento de saúde local ou por um profissional que utilize um analisador de tinta para verificar o teor de chumbo da tinta que vai ser removida. A tinta à base de chumbo só deve ser removida por um profissional e não deve ser retirada utilizando-se uma Pistola de Ar Quente.

PREVENÇÃO:

Leve a peça que vai trabalhar para o exterior, abrigada da chuva. Se não for possível, mantenha a zona de trabalho bem ventilada. Abra as janelas e coloque uma ventoinha de exaustão numa das janelas. Certifique-se de que a ventoinha está a deslocar o ar do interior para o exterior.

- Remova ou cubra os tapetes, carpetes, móveis, roupa, utensílios de cozinha e condutas de ar.
- Coloque panos na zona de trabalho para apanharem lascas ou cascas de tinta. Use roupa de proteção, tal como camisa de trabalho

extra, fato macaco e chapéu.

- Trabalho num compartimento de cada vez. Os móveis devem ser retirados ou colocados no centro do compartimento e em seguida tapados. As zonas de trabalho devem ser isoladas do resto da habitação, selando as entradas com panos.
- Crianças, grávidas ou mulheres potencialmente grávidas, e mães a amamentar não devem estar presentes na zona de trabalho enquanto o trabalho não for terminado e a limpeza não estiver concluída.
- Use uma máscara respiratória anti poeira aprovada ou uma máscara respiratória de filtro dual para poeira e vapores. Tanto estas máscaras como os filtros substituíveis estão disponíveis prontos nas principais lojas de ferragens. Certifique-se de que a máscara lhe assenta corretamente. A barba e o pelo facial podem impedir a máscara de vedar corretamente. Mude os filtros com frequência. As máscaras de papel descartáveis não são adequadas.
- Tenha cuidado ao utilizar a Pistola de Ar Quente. Mantenha a Pistola de Ar Quente a mover-se, pois o calor excessivo gera vapores que podem ser inalados pelo operador.
- Mantenha alimentos e bebidas fora da zona de trabalho. Lave as mãos, braços e rosto e enxague a boca antes de comer ou beber. Não fume nem mastigue pastilha elástica ou tabaco na zona de trabalho.
- Limpe toda a tinta e poeira, molhando e esfregando o chão. Use um pano húmido para limpar todas as paredes, parapeitos e qualquer outra superfície onde estiver pegada poeira de tinta. Não varra nem aspire o pó seco. Utilize um detergente com elevada concentração de fosfato, de fosfato trissódico (TSP) para lavar e esfregar as áreas.
- No final de cada sessão de trabalho, coloque as lascas de tinta e o entulho num saco plástico duplo, feche-o com fita adesiva ou amarre-o com fitas e elimine-o de forma correta.
- Remova os panos de proteção e o calçado de trabalho na zona de trabalho para evitar levar poeira para o resto do edifício. Lave a roupa de trabalho em separado. Limpe os sapatos com um trapo

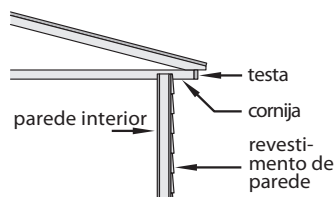
húmido e depois lave-os com as roupas de trabalho. Lave muito bem o cabelo e o corpo com água e sabão.

RISCO: EXPLOSÃO OU INCÊNDIO

Esta Pistola de Ar Quente produz temperaturas extremamente elevadas (600°C). Deve ser utilizada com cuidado para evitar que o material combustível entre em ignição.

PREVENÇÃO:

- Mantenha a Pistola de Ar Quente em constante movimento. Não a pare nem a fixe num único ponto.
- Tenha um extremo cuidado se o outro lado do material que se raspa estiver inacessível, como por exemplo revestimentos de paredes de casas. O lado oculto poderá pegar fogo se ficar demasiado quente. Alguns edifícios contêm materiais altamente inflamáveis detrás dos revestimentos das paredes, pavimentos, testas e cornijas. Verifique estas áreas antes de aplicar calor e não utilize uma ferramenta emissora de calor se estiverem presentes materiais inflamáveis ou se não tiver a certeza de que material está oculto.
- Não utilize superfícies próximas com rachaduras ou próximas de tubos metálicos ou brilhantes. O calor pode ser conduzido por trás da superfície de trabalho e por em ignição o material oculto. A ignição dos materiais ocultos pode não ser imediatamente aparente, podendo resultar em danos materiais e lesões corporais.
- Não utilize ferramentas elétricas na presença de líquidos ou gases inflamáveis.
- Não utilize próximo de materiais combustíveis, tais como relva seca, folhas e papel, que podem arder e atear um incêndio.
- A agulheta fica muito quente. Não pose a Pistola de Ar Quente em superfícies inflamáveis quando estiver a utilizá-la ou imediatamente depois de a desligar. Coloque sempre a pistola numa superfície plana e nivelada, para que a ponta da agulheta fique direcionada para cima e afastada da superfície de apoio.



- Não toque na agulheta até a ferramenta arrefecer.
- Não utilize a Pistola de Ar Quente como secador de cabelo.
- As ferramentas e as raspagens de pintura ficam muito quentes. Para evitar queimaduras, use luvas de trabalho e proteção para olhos quando estiver a raspar.
- Trate sempre a Pistola de Ar Quente como se fosse uma chama aberta.
- Não utilize na presença de uma atmosfera explosiva.

RISCO: PARTE ELÉTRICA

Pode causar danos materiais, ferimentos graves ou perda de vida.

PREVENÇÃO:

- Não desmonte a Pistola de Ar Quente.
- Não trabalhe em zonas húmidas nem exponha a Pistola de Ar Quente a chuva ou humidade.
- Resgarse de choque elétrico, evitando o contacto do corpo com superfícies ligadas à terra, tais como tubos, radiadores, fogões, escadotes de alumínio ou outros dispositivos ligados à terra.
- Não utilize mal o cabo. Nunca pegue na Pistola de Ar Quente pelo cabo nem puxe pelo cabo para desligar da alimentação de energia. Mantenha o cabo afastado de calor, óleo e esquinas afiadas. Inspeccione o cabo quanto a desgaste ou dano com regularidade.
- Utilize apenas cabos de extensão classificados para uso no exterior. Se algum cabo de extensão estiver danificado ou de outra forma estiver inadequado para uso, substitua-o por um novo cabo de extensão.

PERIGO: GENERALIDADES

Pode causar dano material ou ferimento grave.

PREVENÇÃO:

- Desligue sempre a Pistola de Ar Quente da alimentação de energia quando não estiver a ser utilizada. Armazene-a dentro de casa em lugar seco e fora do alcance de crianças não vigiadas.
- Mantenha a sua zona de trabalho bem iluminada e limpa.
- Não se estique, sobretudo quando estiver a trabalhar em escadotes. Mantenha-se sempre sobre uma base estável e mantenha o equilíbrio. Certifique-se de que quaisquer escadotes a ser utilizados

sejam robustos, estáveis, estejam sobre piso firme e erguidos em ângulos de trabalho seguros.

- Evite linhas elétricas.
- Mantenha fixos e estáveis os artigos móveis enquanto os raspa.
- Use sempre equipamento de proteção dos olhos enquanto estiver a trabalhar.
- Fique alerta e use de bom senso ao utilizar qualquer ferramenta.
- Nunca utilize para descongelar canos congelados no interior de paredes ou perto de combustíveis. Utilize sempre a agulheta defletora (P/N2366225) para descongelar tubos congelados.
- Não deixe a Pistola de Ar Quente sem vigilância enquanto estiver ligada.
- Este aparelho pode ser utilizado por crianças a partir dos 8 anos de idade e pessoas com faculdades reduzidas físicas, sensoriais ou mentais ou sem experiência e conhecimento se tiverem recebido supervisão ou instrução sobre a utilização do aparelho de forma segura e se compreenderem os riscos envolvidos. As crianças não podem brincar com o aparelho.
- Mantenha o aparelho e o respetivo cabo elétrico fora do alcance de crianças com menos de 8 anos.

LIGAÇÃO À REDE (só Reino Unido)

Estas Pistola de Ar Quente é fornecida com um cabo elétrico protegido por fusível. Isto identifica-se pelo suporte de fusível na base da ficha. Leia as seguintes instruções de segurança antes da utilização:

1. Se o cabo estiver danificado, substitua-o por um novo cabo para evitar risco de segurança. Contacte os serviços Wagner de assistência ao cliente para uma substituição de cabo elétrico.
2. **NUNCA** em circunstância alguma use a Pistola de Ar Quente ou o cabo elétrico sem a tampa do fusível instalada. Trata-se da tampa pequena fixada na base da ficha para segurar o fusível e mantê-lo no lugar.
3. Se perder a tampa do fusível, contacte um vendedor de artigos elétricos para substituição ou telefone-nos.
4. Um fusível de substituição deve ter 13 Amperes. Deve ser produzido e aprovado de acordo com BS1362.
5. **EM CASO DE DÚVIDA CONSULTE UM ELETRICISTA QUALIFICADO.**

LIGAÇÃO À REDE (fora do Reino Unido)

Estas Pistola de Ar Quente é fornecida com um cabo elétrico. Se o cabo estiver danificado, substitua-o por um novo cabo para evitar risco de segurança. Contacte os serviços Wagner de assistência ao cliente para uma substituição de cabo elétrico.

EM CASO DE DÚVIDA CONSULTE UM ELETRICISTA QUALIFICADO.

AVISO - Use um cabo de extensão que aceite a ficha no produto. Certifique-se de que o seu cabo de extensão esteja em boas condições. Ao utilizar um cabo de extensão, certifique-se de usar um suficientemente pesado para transportar a corrente que o seu produto vai absorver. Um cabo de tamanho insuficiente causará uma queda na voltagem da linha resultando em perda de potência e em sobreaquecimento. Como mínimo é necessário um cabo de tipo borracha harmonizado H05RR-F 3 x 1.0sq mm para uso geral.

Utilizar a Pistola de Ar Quente

Descrição geral

Esta Pistola de Ar Quente é uma ferramenta de elétrica de qualidade. Como qualquer outra ferramenta elétrica, pode ser perigosa se for mal-usada. Leia atentamente as seguintes instruções e siga todas as precauções de segurança. O proprietário é responsável por usar a Pistola de Ar Quente corretamente.

Especificações

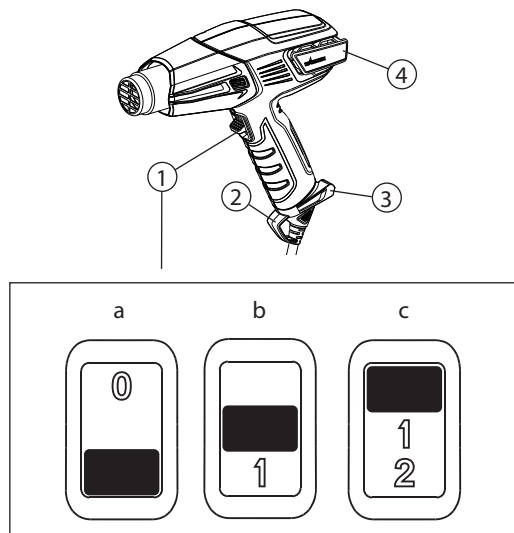
| | |
|------------------|--|
| Estrutura | Polímeros acabados resistentes a alto impacto e ao calor |
| Potência em Watt | 1600 Watts em ELEVADO, 800 Watts em BAIXO |
| Voltagem | 220 - 240 V c.a. |
| Frequência | 50 - 60 Hz |
| Saída de calor | Aproximadamente 575°C em ELEVADO, aproximadamente 400°C em BAIXO |
| Peso | 0,72 kg |

Descrição dos componentes

Características, Fig. 1

- 1) Interruptor do seletor de modo
 - a) 0 (DESLIG)
 - b) 1 (BAIXO)
 - c) 2 (ELEVADO)
- 2) Gancho para pendurar
- 3) Manusear estabilizadores e cabo elétrico (removíveis com ferramenta)
- 4) Aletas de estabilizador traseiras (posição vertical)

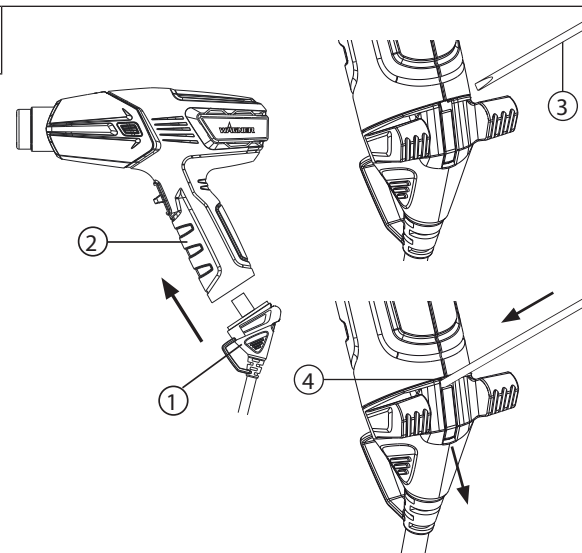
Fig 1



Fixar o cabo elétrico

O cabo elétrico (Fig. 2, 1) para a Pistola de Ar Quente é fornecido separado da pistola (Fig. 2, 2). Para o fixar, alinhe o cabo com a tomada no manipulador da pistola e pressione-os vigorosamente até ouvir um clique. O cabo elétrico não precisa de ser retirado. Se for preciso retirá-lo insira uma pequena chave de fendas ou uma ferramenta semelhante (Fig. 2, 3) no orifício, como apresentado (Fig. 2, 4). Assim que sentir resistência na extremidade da ferramenta, exerça pressão para pressionar o mecanismo de liberação. Puxe firmemente o cabo elétrico para fora da pistola.

Fig 2



A Pistola de Ar Quente F300 é uma das ferramentas mais versáteis que poderá possuir. Pode ser usada para uma grande variedade de projetos, desde grandes trabalhos "faça você mesmo" a pequenos trabalhos de arte e artesanato. Para mais detalhes sobre múltiplos projetos e vídeos 'como fazer' visite o nosso site www.wagner-group.com.

| Uso | | Calor | Opções para a Ponta da Agulheta |
|--|---|-------------------|--------------------------------------|
| Faça você mesmo | Remover tinta | ELEVADO | Concentradora ou Larga |
| | Reparação de paredes | BAIXO | Aberta (sem ponta) |
| | Secar tinta | BAIXO | Aberta (sem ponta) |
| | Amaciar as substâncias adesivas para remover mosaicos do chão | BAIXO | Concentradora larga |
| | Dobrar plástico, plexiglass, formica | BAIXO/ ELEVADO | Agulheta defletora |
| | Remover formica e linóleo | BAIXO | Concentradora larga |
| | Suavizar tinta, calafetagem e massa de vidraceiro para remoção mais fácil (use defletor de calor) | ELEVADO | Concentradora ou Concentradora larga |
| | Retrair película plástica para acondicionamento ou proteção climática | BAIXO | Concentradora larga |
| Pequenos trabalhos (incluindo reparações) | Desapertar porcas, parafusos e ferragens enferrujados | ELEVADO | Aberta/ Concentradora |
| | Reparar jeans | BAIXO | Concentradora larga |
| | Queimar ervas daninhas | ELEVADO | Concentradora |

| Uso | | Calor | Opções para a Ponta da Agulheta |
|---------------------------------------|--|-------------------|---------------------------------|
| | Remover substâncias adesivas | BAIXO | Aberta (sem ponta) |
| | Encerar esquis/pranchas de neve | BAIXO | Concentradora larga |
| | Trabalho em fibra de vidro | ELEVADO | Concentradora ou Larga |
| | Descongelar tubos e fechos | BAIXO | Agulheta defletora |
| | Acender um churrasco | ELEVADO | Concentradora / Agulheta BBQ |
| | Aquecer cimento antes de consertar | BAIXO/ ELEVADO | Concentradora |
| | Descongelar frigorífico / congelador | BAIXO | Aberta (sem ponta) |
| | Arte e artesanato | Fazer velas | BAIXO |
| Fazer sabão | | BAIXO | Aberta (sem ponta) |
| Retrair material de embalar presentes | | BAIXO | Aberta (sem ponta) |
| Formar espuma | | BAIXO | Aberta (sem ponta) |
| Automóveis | Decoração de bolachas | BAIXO/ ELEVADO | Aberta (sem ponta) |
| | Remover autocolantes, emblemas e decalques | BAIXO | Aberta (sem ponta) |
| | Remover amolgadelas | ELEVADO | Aberta (sem ponta) |
| | Remover tinta | ELEVADO | Concentradora ou Larga |

| Uso | | Calor | Opções para a Ponta da Agulheta |
|----------------------------|---|---------|---------------------------------|
| | Aplicar e remover tingimento de janelas | BAIXO | Aberta (sem ponta) |
| | Restaurar para-choques | ELEVADO | Aberta (sem ponta) |
| Material eletrônico | Reparação de smartphones e tablets | BAIXO | Concentradora |
| | Reparação de PlayStations e Xbox | BAIXO | Concentradora |

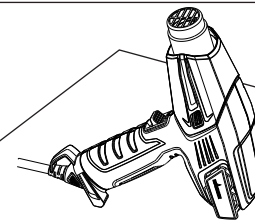
! **Leia sempre as informações incluídas neste manual antes de usar a Pistola de Ar Quente.**

1. Insira a Pistola de Ar Quente numa tomada padrão.
2. Ligue a Pistola de Ar Quente, movendo o interruptor para o ajuste desejado. O ruído da ventoinha acionada por motor indica que a Pistola de Ar Quente está a funcionar.
3. Desligue sempre a Pistola de Ar Quente da alimentação de energia quando concluir a tarefa.

Operação de mãos livres

A Pistola de Ar Quente em um suporte integrado (Fig. 3) para aplicações de bancada e para arrefecimento.

Fig 3



Nota: Poderá aparecer fumo durante o início devido aos óleos de fabrico a arder. O fumo deve desaparecer pouco depois do primeiro início.

IMPORTANTE: Se a ventoinha acionada por motor na Pistola de Ar Quente não ligar quando o interruptor é colocado em **BAIXO** ou **ELEVADO**, **DESLIGUE** o interruptor imediatamente. O elemento de aquecimento queima se não for refrigerado pela ventoinha acionada por motor.

Nota: Colocar sempre a Pistola de Ar Quente na vertical depois de ser desligada, tanto para um pequeno intervalo como para armazenamento. Evite deitar a unidade de lado após desligá-la. O calor permanecerá na unidade e o arrefecimento demorará mais. Armazene a unidade somente depois de a agulheta estar fria. Retire a unidade da ficha antes de armazenar, a fim de evitar um arranque involuntário.

IMPORTANTE: Proteja sempre os vidros quando trabalhar perto de janelas.



Não toque na agulheta ou qualquer outra ferramenta a ser usada quando estiver a trabalhar. Elas ficam extremamente quentes e causarão queimaduras graves. Use luvas para proteger as mãos de raspagens quentes.

Remover tinta

A Pistola de Ar Quente aquece a superfície e suaviza a tinta, podendo ser raspada facilmente sem danificar a superfície. Algumas pinturas poderão suavizar mesmo sem empolar; algumas poderão ficar semelhantes a borracha e algumas poderão precisar de mais calor.

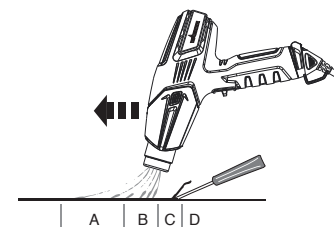
Ao trabalhar com várias camadas de tinta, acelera o processo de raspagem para aquecer a superfície por completo, até à madeira. Em seguida, todas as camadas podem ser raspadas em simultâneo.

Uma escova de fios metálicos macios poderá ser a melhor ferramenta a usar para superfícies muito complexas. As tintas e os acabamentos minerais, como tinta de cimento e porcelana, não suavizam com calor, pelo que usar uma ferramenta de calor não funciona para a remoção da tinta.

O melhor método para remoção de tinta

Mova a Pistola de Ar Quente lenta e progressivamente para a frente, num ângulo relativamente à superfície, apontando a agulheta na direção do movimento. Isto permite-lhe raspar em segurança fora do fluxo de ar quente e manter mais frio o raspador e o refrigerador da superfície raspada.

- A. Ar quente pré-aquece a superfície.
- B. A tinta é suavizada por ar quente.
- A + B. Penetração de calor sobre a área total.
- C. A tinta pode ser facilmente retirada por raspagem assim que é suavizada e a pistola é movida para a frente.
- D. Superfície listrada que pode ser arrefecida.



Nota: Não utilize a Pistola de Ar Quente em superfícies que possam ficar danificadas pelo calor, tal como painéis revestidos de vinilo, revestimentos laterais de vinilo ou quadros de janelas revestidos de vinilo.

Quando remover tinta da caixilharia das janelas, a Pistola de Ar Quente suavizará a massa de vidraceiro. Tenha cuidado para não arrancar a massa de vidraceiro com o raspador. A massa de vidraceiro fica firme após arrefecer.

Não utilize a Pistola de Ar Quente em vidro de janela isolante laminado, como termopanel. A expansão da borda do vidro poderá quebrar a vedação da borda.

Ao raspar testas, não sobreaqueça as bordas de lajes de asfalto salientes sobre a borda do revestimento. Demasiado calor fundirá o asfalto.

IMPORTANTE: A remoção de tinta pela Pistola de Ar Quente é segura se forem usadas as diretrizes acima apresentadas, mas sempre mantendo ao alcance um recipiente de água ou um extintor de incêndio ABC (adequado para tipos de incêndios de Classe A, B e C).

Limpeza e Manutenção

Mantenha as aberturas de alimentação existentes na estrutura limpas e sem obstruções. Use uma escova macia e seca para limpar as aberturas periodicamente. Use apenas sabão suave e um pano húmido para limpar a Pistola de Ar Quente. Qualquer detergente doméstico contém químicos que podem danificar gravemente a estrutura.

Acessórios

Os seguintes acessórios poderão ser fornecidos com a Pistola de Ar Quente ou poderão ser comprados em separado, www.wagner-group.com/service. Em alternativa, consulte na contracapa do manual o Centro de Assistência Técnica mais próximo.

Não utilize petróleo, terebentina, laca ou diluente, líquidos de limpeza a seco ou produtos semelhantes quando limpar a Pistola de Ar Quente.


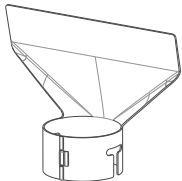
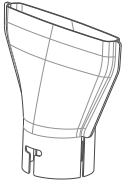

NUNCA deixe entrar líquido na ferramenta nem mergulhe qualquer peça da ferramenta num líquido.

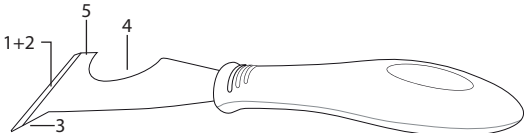
A limpeza e a manutenção pelo utilizador só podem ser feitas por crianças com mais de 8 anos de idade e supervisionadas.

Armazenamento

Deixe a Pistola de Ar Quente agulheta arrefecer à temperatura ambiente antes de a armazenar.

A agulheta fica escura ao longo do tempo por causa do calor elevado. Isto é normal e não vai afetar o desempenho ou a duração da unidade.

| Nome | | Descrição | Nome | | Descrição |
|--|--|---|--|--|---|
| Agulheta concentradora P/N2366222 |  | Dirige um fluxo de calor concentrado para a superfície de trabalho. Ideal para remover tinta em cantos difíceis, fendas, astrágalos ou arquitraves. | Agulheta protetora de vidros P/N2366224 |  | Deflete o calor, afastando-o de vidro ou outras áreas frágeis. Ideal para peitoris, cornijas, caixilharia e rodapés. |
| Agulheta Concentradora Larga P/N2366223 |  | Dirige o calor de forma comprida e estreita para a superfície de trabalho. Ideal para remover tinta ou verniz de superfícies grandes e planas tais como rodapés, portas, escadas, etc. Deve ser usado juntamente com um raspador plano. | Agulheta defletora P/N2366225 |  | Dispersa o fluxo de calor de maneira uniforme em volta de toda a superfície de trabalho. Ideal para degelar canos congelados, trabalhos de solda em canos, dobrar plásticos ou encolher por calor tubagens elétricas isolantes. |

| Nome | Descrição |
|--|---|
|  <p>Ferramenta de Raspagem 5-em-1 em detalhe P/N2366227</p> | <p>Esta ferramenta tem 5 funções. A lâmina é usada para (1) raspar tinta e (2) espalhar composto. O ponto de goiva (3) é usado para remover massa de vidraceiro/calafetagem de rachaduras abertas. A área curvada (4) é usada para limpar coberturas de rolos. O lado plano (5) pode ser usado para abrir latas de tinta.</p> |

IMPORTANTE: Use sempre luvas quando manusear a Pistola de Ar Quente.

Para instalar um artigo opcional na Pistola de Ar Quente:

1. Coloque a Pistola de Ar Quente na vertical numa superfície nivelada e aguarde até a ponta estar fria.
2. Coloque o artigo na ponta da Pistola de Ar Quente e com a mão empurre firmemente inserindo no lugar.

Para remover um artigo opcional, da Pistola de Ar Quente:

1. Coloque a Pistola de Ar Quente na vertical numa superfície nivelada e aguarde até a ponta estar fria.
2. Retire o artigo, puxando-o da ponta.

Registo do Produto

Registe o seu produto online em www.wagner-group.com/3plus1 para se candidatar à garantia adicional de 1 ano.

3+1 anos de garantia

A garantia é válida para três anos, a contar da data da venda (recibo). A garantia é alargada por mais 12 meses se o dispositivo for registado online no período de 4 semanas a contar da data da compra www.wagner-group.com/3plus1. Um registo só é possível se o comprador concordar com o armazenamento dos seus dados a serem aí inseridos. A garantia cobre e está limitada à retificação gratuita de defeitos que sejam comprovadamente atribuídos ao uso de materiais no fabrico, ou erros de montagem; ou substituição gratuita das peças defeituosas. A garantia não cobre o uso ou a colocação em funcionamento incorretos ou o trabalho de instalação ou reparação que não esteja referido no nosso manual de operação. As peças de desgaste também estão excluídas da garantia. A garantia exclui o uso comercial. Reservamo-nos o direito do cumprimento da garantia. A garantia expira se a ferramenta for aberta por pessoas que não pertençam ao pessoal de assistência técnica da Wagner. O dano em transporte, trabalho de manutenção e perda e dano devido a trabalho de manutenção incorreto não estão cobertos pela garantia. Para qualquer reclamação ao abrigo da garantia, deve apresentar-se prova de compra da ferramenta, mediante a apresentação do recibo original. Sempre que legalmente possível, excluímos toda a responsabilidade por ferimento, dano ou perda consequential, especialmente se a ferramenta tiver sido usada para uma finalidade diferente da que é referida no manual de operações, colocada em funcionamento ou reparada em não conformidade com o nosso manual de operações ou se forem realizadas reparações por alguém sem qualificação. Reservamo-nos o direito de realizar quaisquer reparações para além das referidas

no nosso manual de operações. Em caso de garantia ou reparação, consulte o seu ponto de venda. Esta garantia não afeta os seus direitos estatutários.

INFORMAÇÃO SOBRE A ELIMINAÇÃO DE EQUIPAMENTO ELÉTRICO E ELETRÔNICO

Chamamos a sua atenção para as novas diretivas aplicáveis à eliminação deste equipamento elétrico, em que, de acordo com a legislação este produto não deve ser eliminado como resíduo doméstico normal. É da sua responsabilidade eliminar este tipo de resíduo, entregando-a pontos de recolha especialmente designados para recuperação e reciclagem. Este produto está marcado com um símbolo de 'balde do lixo' com uma cruz sobreposta para lhe recordar essa ação. O objetivo desta diretiva é ajudar a conservar recursos e assegurar que seja reciclado de forma que proteja a saúde humana e o ambiente. Para mais informações sobre onde pode deitar fora os resíduos, contacte a autoridade local, a devolução é gratuita.



CE Declaração de Conformidade

Este produto cumpre a Diretiva de Baixa Tensão 2014/35/UE, Diretiva 2014/30/EU EMC, Diretiva RSP 2011/65/EU e Regulamento REACH 1907/2006.

**Vigtige sikkerhedsoplysninger • Læs alle sikkerhedsoplysninger, inden udstyret anvendes. Gem denne vejledning**

For at reducere risikoen for brand eller eksplosion, elektrisk stød og personskader, skal alle anvisninger i denne betjeningsvejledning læses og forstås. Du skal kende betjeningsselementerne og deres korrekte brug.



Angiver en farlig situation, der, hvis den ikke undgås, kan medføre død eller alvorlige personskader.

FARE: GIFT

Der skal udvises ekstrem omhu, når malingen fjernes. Afskallet maling, rester og dampe fra maling kan indeholde bly, der er giftigt. Al maling, der er påført huse før 1950, indeholder sandsynligvis bly. Al maling, der er produceret før 1977, kan indeholde bly. Når malingen er påført overflader, kan hånd-til-mundkontakt medføre indtagelse af bly. Eksponering for selv lave niveauer af bly kan forårsage uoprettelige skader på hjerne og nervesystem. Unge og ufødte er særligt sårbare over for blyforgiftning.

Inden fjernelse af maling påbegyndes, skal du finde ud af, om den maling, du vil fjerne, indeholder bly. Det kan udføres af dine lokale sundhedsmyndigheder eller af en fagperson, der benytter en malingsanalysator til at kontrollere blyindholdet i den maling, der skal fjernes. Blybaseret maling må kun fjernes af en fagperson, og den må ikke fjernes med en varmepistol.

FOREBYGGELSE:

Tag arbejdsemnet udenfor, men beskyttet mod regn. Hvis dette ikke er muligt, skal arbejdsområdet holdes godt ventileret. Åbn vinduerne og anbring en udsugningsventilator i et af dem. Sørg for, at ventilatoren bevæger luften indefra og ud.

- Fjern eller tildæk tæpper, måtter, møbler, beklædning, køkkengrej og luftkanaler.
- Anbring afdækningsfolie i arbejdsområdet til opsamling af malingsrester eller afskallet maling. Bær beskyttelsesbeklædning som f.eks. en ekstra arbejdsskjorte, overall og en hat.

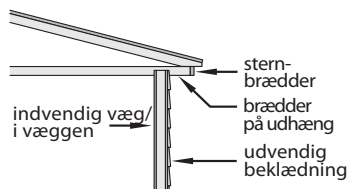
- Tag et rum ad gangen. Møbler skal flyttes eller anbringes i midten af rummet og tildækkes. Arbejdsområder skal forsegles fra resten af hjemmet ved at forsegle dørkarme med afdækningsfolie.
- Børn, gravide eller potentielt gravide samt ammende mødre må ikke være til stede i arbejdsområdet, før arbejdet er udført, og alt er rengjort.
- Bær et godkendt åndedrætsværn med støvfilter eller et åndedrætsværn med to filtre til støv og dampe. Disse masker og udskiftelige filtre kan fås i større byggemarkeder. Sørg for, at masken slutter godt til. Skæg og ansigtshår kan hindre masken i at slutte helt til. Skift filterne tit. Engangsmasker af papir er ikke egnede.
- Vær forsigtig, når der arbejdes med varmepistol. Hold varmepistolen i bevægelse, da for stor varme vil generere dampe, som brugeren kan indånde.
- Hold mad og drikkevarer uden for arbejdsområdet. Vask hænder, arme og ansigt, og skyl munden, inden der spises eller drikkes. Undlad at ryge eller tygge tyggegummi eller tobak i arbejdsområdet.
- Fjern al fjernet maling og støv ved at vådmoppe gulvene. Brug en våd klud til rengøring af alle vægge, vindueskarme og alle andre overflader, hvor støv fra malingen kan sætte sig fast. Undlad at feje, støve af med en tør klud eller støvsuge. Anvend et rengøringsmiddel med højt fosfatindhold (trinatriumfosfat) til at vaske og moppe områder.
- Ved afslutningen af hver arbejds-session skal afskallet maling og rester kommes i en dobbelt plastiksæk, der lukkes med tape eller poselukker og bortskaffes på korrekt vis.
- Tag beskyttelsesbeklædningen og arbejdsskoene af i arbejdsområdet for at undgå at bære støv med ind i den øvrige del af bygningen. Vask arbejdstøjet separat. Tør skoene af med en våd klud og vask derefter kluden sammen med arbejdstøjet. Vask omhyggeligt hår og krop med sæbe og vand.

FARE: EKSPLOSION ELLER BRAND

Denne varmpistol udvikler meget høje temperaturer (helt op til 600 °C). Den skal anvendes med forsigtighed for at forhindre brændbart materiale i at antænde.

FOREBYGGELSE:

- Hold varmpistolen i konstant bevægelse. Stop ikke og bliv ikke for længe på samme sted.
- Vær meget forsigtig, hvis den anden side af det materiale, der skal skræbes af, er utilgængelig som f.eks. udvendig beklædning af huset. Den skjulte side kan blive antændt, hvis den bliver for varm. Nogle bygninger indeholder meget brændbare materialer bag den udvendige beklædning, gulve, sternbrædder, brædder på udhæng og anden beklædning. Kontroller disse områder, inden de udsættes for varme, og benyt ikke et varmeværktøj, hvis der forefindes brændbare materialer, eller hvis du er i tvivl om det skjulte materiale.
- Anvend ikke varmpistolen i nærheden af overflader med revner eller i nærheden af metalrør eller inddækninger. Varmen kan ledes bag arbejdsoverfladen og antænde skjulte materialer. Det opdages måske ikke straks, at skjulte materialer er blevet antændt, og det kan medføre materielle skader og personskader.
- Benyt ikke elektrisk værktøj i nærheden af brændbare væsker eller gasser.
- Benyt ikke værktøjet i nærheden af brændbare materialer som tørt græs, blade og papir, der kan blive svedne og antænde.
- Dysen bliver meget varm. Læg ikke varmpistolen på brændbare overflader, når pistolen anvendes, eller umiddelbart efter at den er blevet slukket. Anbring altid pistolen på en flad, plan overflade, således at dysen vender opad og væk fra den understøttende overflade.
- Berør ikke dysen, før værktøjet er kølet af.
- Benyt ikke varmpistolen som hårtørrer.
- Værktøj og rester af maling bliver meget varme. For at undgå



forbrændinger skal der bæres handsker og øjenbeskyttelse under afskrabningen.

- Behandl altid varmpistolen med samme respekt som åben ild.
- Anvend ikke i eksplosive omgivelser.

FARE: ELEKTRISK

Kan forårsage skader på ejendom, alvorlige personskader eller døden.

FOREBYGGELSE:

- Varmepistolen må ikke adskilles.
- Arbejd ikke i våde områder og udsæt ikke varmpistolen for regn eller fugt.
- Beskyt mod elektrisk stød ved at forhindre kropskontakt med jordede overflader som f.eks. rør, radiatorer, komfurer, aluminiumstiger eller andre jordede enheder.
- Misbrug aldrig ledningen. Bær aldrig varmpistolen i ledningen og træk aldrig i ledningen for at afbryde den fra strømforsyningen. Hold ledningen på afstand af varme, olie og skarpe kanter. Kontroller regelmæssigt ledningen for slid eller skader.
- Brug kun forlængerledninger, der er beregnet til brug udenfor. Hvis en forlængerledning bliver beskadiget, eller hvis den på anden vis er uegnet til brug, skal den udskiftes med en ny forlængerledning.

FARE: GENERELT

Kan forårsage materielle skader eller alvorlige kvæstelser.

FOREBYGGELSE:

- Afbryd altid varmpistolen fra strømforsyningen, når den ikke anvendes. Opbevar den indendørs på et tørt sted og uden for rækkevidde af børn uden opsyn.
- Hold dit arbejdsområde godt belyst og rent.
- Læn dig ikke for langt frem eller til siden, især når du arbejder på stiger. Hav til enhver tid godt fodfæste og en god balance. Sørg for, at de anvendte stiger er solide, stabile, står på fast underlag, og at de står i en sikker vinkel.
- Undgå strømledninger.
- Fastgør bevægelige genstande sikkert og stabilt under afskrabningen.

- Benyt altid øjenbeskyttelse under arbejdet.
- Vær opmærksom og brug almindelig sund fornuft ved anvendelsen af værktøj.
- Benyt aldrig varmepistolen til at optø frosne rør i vægge eller i nærheden af brændsel. Benyt altid den buede reflektordyse (nr. 2366225) til optøning af frosne rør.
- Efterlad aldrig varmepistolen uden opsyn, når den er tændt.
- Dette apparat må anvendes af børn, der er over 8 år og derover, samt af personer med reducerede fysiske, sensoriske eller mentale evner eller manglende erfaring og viden, hvis de er under opsyn og har fået instruktion i sikker brug af apparatet og forstår de risici, der er forbundet med anvendelsen af apparatet. Børn må ikke lege med apparatet.
- Sørg for, at apparatet og dets ledning er uden for børns rækkevidde (under 8 år).

NETTILSLUTNING (kun Storbritannien)

Denne varmepistol er forsynet med et ledningssæt med sikring. Dette kan ses på sikringsholderen i stikket. Læs følgende sikkerhedsanvisninger inden brug:

1. Hvis ledningen er beskadiget, skal den udskiftes med en ny ledning for at undgå sikkerhedsrisici. Kontakt Wagners kundeservice vedrørende en ny ledning.
2. Benyt **ALDRIG** under nogen omstændigheder varmepistolen eller ledningen, uden at sikringsdækslet er monteret. Det er det lille dæksel i stikket, der holder sikringen på plads.
3. Hvis sikringsdækslet går tabt, skal du kontakte en elektriker for at få en erstatning, eller ringe til vores hjælpelinje.
4. En udskiftningsikring skal have 13 A. Den skal være fremstillet og godkendt i henhold til BS1362.
5. **KONTAKT EN UDDANNET ELEKTRIKER I TILFÆLDE AF TVIVL.**

NETTILSLUTNING (uden for Storbritannien)

Denne varmepistol er forsynet med et ledningssæt. Hvis ledningen er beskadiget, skal den udskiftes med en ny ledning for at undgå sikkerhedsrisici. Kontakt Wagners kundeservice vedrørende en ny ledning.

KONTAKT EN UDDANNET ELEKTRIKER I TILFÆLDE AF TVIVL.

ADVARSEL - Benyt en forlængerledning, der passer til stikket på produktet. Sørg for, at din forlængerledning er i orden. Når der anvendes en forlængerledning, skal man sikre sig, at den kan klare den strøm, dit produkt anvender. En ledning med for lille kapacitet vil forårsage et fald i netspændingen, hvilket medfører manglende effekt og overophedning. En harmoniseret H05RR-F 3 x 1.0sq mm ledning af gummitypen kræves som minimum til almindelig brug.

Anvendelse af varmepistolen

Generel beskrivelse

Denne varmepistol er et elektrisk kvalitetsværktøj. Som ethvert elektrisk værktøj kan den være farlig, hvis den ikke anvendes korrekt. Læs omhyggeligt følgende anvisninger og følg alle sikkerhedsforholdsregler. Det er ejerens ansvar at anvende varmepistolen korrekt.

Specifikationer

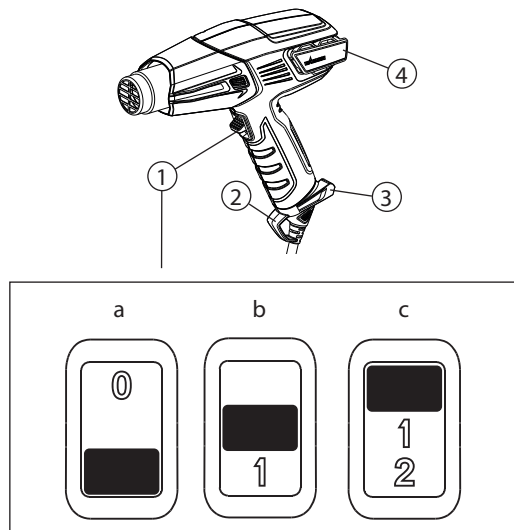
| | |
|-------------|--|
| Hus | Korrosions- og varmebestandige polymerer med stor slagstyrke |
| Wattforbrug | 1600 Watt på HØJ, 800 Watt på LAV |
| Spænding | 220 - 240 V a.c. |
| Frekvens | 50 - 60 Hz |
| Varmeydelse | Ca. 575 °C på HØJ, ca. 400 °C på LAV |
| Vægt | 0,72 kg |

Beskrivelse af komponenter

Oversigt fig. 1

- 1) Kontakt til valg af tilstand
 - a) 0 (OFF)
 - b) 1 (LAV)
 - c) 2 (HØJ)
- 2) Krog til ophængning
- 3) Støttefod til greb og ledning (kan fjernes med værktøjet)
- 4) Fod bagpå (stand)

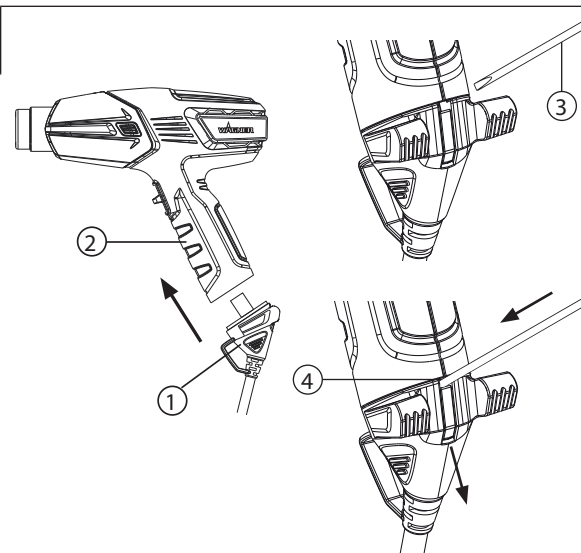
Fig 1



Fastgørelse af ledningen

Ledningssættet (fig. 2, 1) til varmepistolen leveres afmonteret fra pistolen (fig. 2, 2). Det fastgøres ved at anbringe ledningen parallelt med stikket på pistolens greb og presse fast sammen, indtil du hører et klik. Det er ikke nødvendigt at fjerne ledningssættet. Hvis det er nødvendigt at fjerne det, indsættes der en lille skruetrækker eller lignende værktøj (fig. 2, 3) i hullet som vist (fig. 2, 4). Når der føles modstand i enden af værktøjet, lægges der tryk på for at sammenpresse udløsermekanismen. Træk ledningssættet væk fra pistolen med en fast bevægelse.

Fig 2



F300-varmepistolen er et af de mest alsidige værktøjer, du kan have. Den kan anvendes til mange forskellige projekter, fra store gør-det-selv-projekter til små håndværksprojekter. Du kan se yderligere oplysninger om flere projekter og videoer med anvisninger på vores hjemmeside www.wagner-group.com.

| Anvendelse | | Varme | Dysespidser |
|---|--|---------|--|
| Gør-det-selv | Fjernelse af maling | HØJ | Reduktionsdyse eller bred |
| | Reparation af væg | LAV | Åben (ingen spids) |
| | Tørring af maling | LAV | Åben (ingen spids) |
| | Blødgør klæbestoffer ved fjernelse af fliser | LAV | Bred reduktionsdyse |
| | Bøjning af plastik, plexiglas, laminatplader | LAV/HØJ | Reflektordyse |
| | Fjerner laminatplader og linoleum | LAV | Bred reduktionsdyse |
| | Blødgør maling, tætninger, kit, så det lettere kan fjernes (brug varmedeflektor) | HØJ | Reduktionsdyse eller bred reduktionsdyse |
| | Til krympning af plastikfolie eller isolering | LAV | Bred reduktionsdyse |
| Små opgaver (inklusive reparationer) | Løsne rustede møtrikker, bolte og forskruninger | HØJ | Åben/reduktionsdyse |
| | Reparation af jeans | LAV | Bred reduktionsdyse |
| | Svidning af ukrudt | HØJ | Reduktionsdyse |
| | Fjernelse af klæbemidler | LAV | Åben (ingen spids) |
| | Voksbehandling af ski/snowboard | LAV | Bred reduktionsdyse |

| Anvendelse | | Varme | Dysespidser |
|-------------------------------|--|---------|---------------------------|
| | Glasfiberarbejde | HØJ | Reduktionsdyse eller bred |
| | Optøning af rør og låse | LAV | Reflektordyse |
| | Optænding af grill | HØJ | Reduktionsdyse/grilldyse |
| | Opvarmning af cement inden lapning | LAV/HØJ | Reduktionsdyse |
| | Afrimning af køleskab/fryser | LAV | Åben (ingen spids) |
| Håndarbejde/brugskunst | Fremstilling af lys | LAV | Åben (ingen spids) |
| | Fremstilling af sæbe | LAV | Åben (ingen spids) |
| | Krympefolieindpakning af gaver | LAV | Åben (ingen spids) |
| | Formning af skum | LAV | Åben (ingen spids) |
| | Kagedekoration | LAV/HØJ | Åben (ingen spids) |
| Bil | Aftagning af klistermærker, emblemer og mærkater | LAV | Åben (ingen spids) |
| | Udretning af buler | HØJ | Åben (ingen spids) |
| | Fjernelse af maling | HØJ | Reduktionsdyse eller bred |

| Anvendelse | | Varme | Dysespidser |
|------------|--|-------|--------------------|
| | Påføring og fjernelse af toning af vinduer | LAV | Åben (ingen spids) |
| | Reparation af kofangere | HØJ | Åben (ingen spids) |
| Elektronik | Reparation af smartphone og tablet | LAV | Reduktionsdyse |
| | Reparation af PlayStation og Xbox | LAV | Reduktionsdyse |

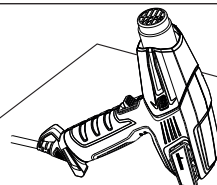
! Læs altid sikkerhedsoplysningerne i denne betjeningsvejledning, inden varmpistolen anvendes.

1. Sæt varmpistolens stik i en standardstikdåse.
2. Tænd for varmpistolen ved at sætte kontakten i den ønskede position. Støjen fra den motorrevne blæser angiver, at varmpistolen er i gang.
3. Afbryd altid varmpistolen fra strømforsyningen, når opgaven er udført.

Håndfri betjening

Varmpistolen har en integreret fod (fig. 3), så den kan anvendes på bordplader, og når den skal afkøles.

Fig 3



Bemærk: Der kan optræde røg ved første opstart som følge af, at produktionsolierne afbrændes. Røgen skal forsvinde kort efter start.

VIGTIGT: Hvis den motorrevne blæser i varmpistolen ikke tændes, når kontakten sættes på LAV eller HØJ, skal der straks slukkes på kontakten. Varmeelementet vil brænde ud, hvis det ikke afkøles af den motorrevne blæser.

Bemærk: Anbring altid varmpistolen i opretstående position, når den er slukket, enten til en kort pause eller til opbevaring. Undgå at anbringe apparatet på siden efter slukning. Varmen vil forblive i apparatet, og afkølingen vil tage længere tid. Læg først apparatet til opbevaring, når dysen er kold. Tag apparatets stik ud inden opbevaring for at forhindre utilsigtet start.

VIGTIGT: Beskyt altid glas, når der arbejdes i nærheden af vinduer.

! Berør ikke dysen eller andet værktøj, der anvendes under arbejdet. Dyse og værktøj bliver meget varmt og vil forårsage alvorlige forbrændinger. Bær handsker for at beskytte hænderne mod varme malingsrester.

Fjernelse af maling

Varmpistolen opvarmer overfladen og blødgør malingen, hvorefter den let kan skrubes af uden at beskadige overfladen. Nogle malinger kan blive bløde, uden at de danner blærer. Nogle kan blive gummiagtige, og nogle kan kræve højere varme.

Når der arbejdes med flere lag maling, kan afskrabningsprocessen accelereres, hvis overfladen opvarmes hele vejen igennem lige til træet. Derefter kan alle lagene skrubes af på en gang.

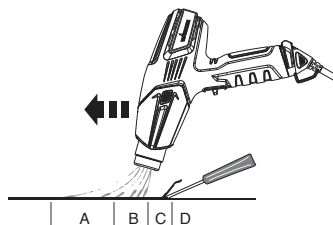
En blød metalbørste kan være det bedste værktøj til vanskelige overflader. Mineralsk maling og lak som f.eks. cementmaling og

porcelæn blødgøres ikke med varme. Det har derfor ingen virkning at anvende en varmepistol på sådanne overflader til fjernelse af maling.

Den bedste metode til fjernelse af maling

Bevæg varmepistolen langsomt og jævnt fremad i en vinkel på overfladen, således at dysen vender i bevægelsens retning. På den måde kan du skrabe sikkert uden for den varme luftstrøm, og skraberens samt den skrabeede overflade holdes køligere.

- A. Varm luft foropvarmer overfladen.
- B. Malingen blødgøres af den varme luft.
- A + B. Varmen trænger dybt ned i hele området.
- C. Malingen kan let skraves af, så snart den er blødgjort, og pistolen flyttes fremad.
- D. Lad den bearbejdede overflade køle af.



Bemærk: Anvend ikke varmepistolen på overflader, der kan blive beskadiget af varme, som f.eks. vinylbeklædte paneler, vinylbeklædt vægbeklædning eller vinylbeklædte vindueskarme.

Varmepistolen blødgør kittet, når der fjernes maling fra vinduesrammer. Sørg for ikke at udhule kittet med skraberens. Kittet vil stivne, når det afkøles.

Anvend ikke varmepistolen på isoleret, lamineret vinduesglas som f.eks. termoruder. Når glassets kanter udvides, kan kantforseglingen blive ødelagt.

Når der skraves på sternbrædder, skal man sørge for ikke at overophede kanterne af asfaltshingles, der rager ud over kanten af yderbeklædningen. For høj varme vil smelte asfalten.

VIGTIGT: Det er sikkert at fjerne maling med en varmepistol, hvis ovenstående retningslinjer følges, men hav altid en spand vand eller en ABC-brandslukker (egnet til brande i klasse A, B og C) inden for rækkevidde.

Rengøring og vedligeholdelse

Hold indsugningsåbningerne på huset rene og frie for forhindringer. Rengør regelmæssigt åbningerne med en blød, tør børste. Rengør kun varmepistolen med en mild sæbe og en fugtig klud. Mange husholdningsrengøringsmidler indholder kemikalier, der kan forårsage alvorlige skader på huset.

Anvend ikke petroleum, terpentin, lak- eller malingsfortynder, væsker til kemisk rensning eller lignende produkter til rengøring af varmepistolen.

Der må **ALDRIG** komme væske ind i værktøjet, og ingen del af værktøjet må dyppes i væske.

Rengøring og vedligeholdelse må ikke udføres af børn, med mindre de er over 8 år og under opsyn.

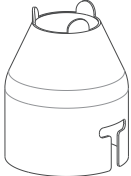
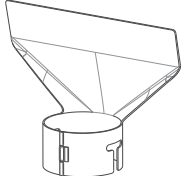
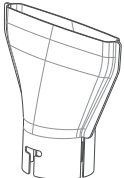

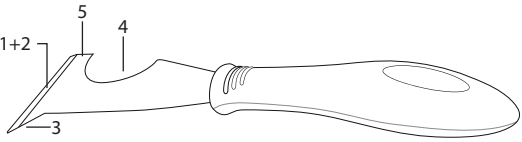
Opbevaring

Lad varmepistolens dyse køle af til stuetemperatur, inden den sættes til opbevaring.

Dysen bliver mørk med tiden som følge af den høje varme. Dette er normalt, og det påvirker ikke apparatets ydelse eller levetid.

Tilbehør

Følgende tilbehør kan følge med varmpistolen, eller det kan købes separat på www.wagner-group.com/service. Alternativt kan du finde dit nærmeste servicecenter bag på betjeningsvejledningen.

| Navn | Beskrivelse | Navn | Beskrivelse |
|--|--|---|--|
| Reduktionsdyse Nr. 2366222  | Leder en koncentreret varmemstrøm til arbejdsfladen. Ideel til fjernelse af maling i vanskelige hjørner, sprækker, kantprofiler, pyntelister eller karme. | Glasbeskyttel- sesdyse P/N2366224  | Leder varmen væk fra glas eller andre skrøbelige områder. Ideel til vindueskarme, sålbænke, rammer eller fodlister. |
| Bred reduktionsdyse P/N2366223  | Leder et langt, smalt varmemønster til arbejdsoverfladen. Ideel til fjernelse af maling eller fernis fra store, flade overflader som f.eks. fodpaneler, døre, trapper osv. Den skal anvendes sammen med en flad skraber. | Reflektordyse P/N2366225  | Fordeler varmemstrømmen jævnt på hele arbejdsområdet. Ideel til optøning af frosne rør, lodning af rør, bukning af plastik eller varmekrympning af elektriske isoleringsrør. |
| Navn | Beskrivelse | | |
|  | 5-i-1 skrabeværktøj Nr. 2366227 | | |
| | Værktøjet har 5 funktioner. Bladet (1) anvendes til at skrabe maling og sprede masser (2). Spidsen (3) bruges til at fjerne kit/tætninger fra åbne revner. Det buede område (4) bruges til at rengøre rulledeksler. Den flade side (5) kan bruges til at åbne malingsbøtter. | | |

VIGTIGT: Bær altid handsker ved håndteringen af varmpistolen.

Sådan fastgøres ekstraudstyr på varmpistolen:

1. Anbring varmpistolen opretstående på en plan overflade og vent, indtil spidsen er kold.
2. Anbring tilbehøret på varmpistolens spids og skub det fast på plads med hånden.

Sådan fjernes ekstraudstyr fra varmpistolen:

1. Anbring varmpistolen opretstående på en plan overflade og vent, indtil spidsen er kold.
2. Træk tilbehøret af spidsen.

Produktregistrering

Registrer dit produkt online på www.wagner-group.com/3plus1 for at få din ekstra 1 års garanti.

3+1 års garanti

Garantien gælder i tre år fra købsdatoen (kvittering). Garantien forlænges med yderligere 12 måneder, hvis apparatet registreres online inden for 4 uger efter købet på www.wagner-group.com/3plus1. En registrering er kun mulig, hvis køber erklærer sig indforstået med, at de data, vedkommende har indtastet under registreringen, gemmes. Garantien omfatter og er begrænset til gratis afhjælpning af fejl, der bevisligt kan henvises til anvendelsen af defekte materialer i produktionen eller fejl ved samlingen eller gratis udskiftning af defekte dele. Garantien dækker ikke ukorrekt brug eller ibrugtagning eller montering eller reparationsarbejde, der ikke er angivet i vores betjeningsvejledning. Sliddele er også undtaget fra garantien. Garantien gælder ikke for erhvervs-mæssig anvendelse. Vi forbeholder os udtrykkeligt ret til at opfylde garantien. Garantien udløber, hvis værktøjet åbnes af andre end Wagners servicepersonale. Transportskader, vedligeholdelsesarbejde samt tab og skader som følge af forkert vedligeholdelsesarbejde er ikke omfattet af garantien. Ved ethvert krav på garanti skal der fremlægges bevis for købet af værktøjet i form af den originale kvittering. Hvor det er lovmæssigt muligt, udelukker vi ethvert ansvar for personskader, materielle skader eller efterfølgende tab, især hvis værktøjet har været anvendt til andet formål end det i betjeningsvejledningen angivne, hvis værktøjet har været taget i brug eller repareret på anden vis end angivet i vores betjeningsvejledning, eller hvis reparationer er blevet udført af ukvalificerede personer. Vi forbeholder os ret til at udføre eventuelle reparationer ud over dem, der er angivet i vores betjeningsvejledning. Henvend dig til det sted, hvor du har købt pistolen, hvis du ønsker at gøre krav gældende i henhold til garantien, eller hvis du ønsker

værktøjet repareret. Denne garanti påvirker ikke dine lovfæstede rettigheder.

OPLYSNINGER OM BORTSKAFFELSE AF ELEKTRISK AFFALD OG ELEKTRONISK Udstyr KENDT SOM WEEE

Du gøres opmærksom på de nye direktiver gældende for bortskaffelse af dette elektriske udstyr, hvor dette produkt i henhold til lovgivningen ikke må bortskaffes sammen med det almindelige husholdningsaffald. I stedet er det dit ansvar at bortskaffe denne type affald ved at aflevere det til specialindrettede opsamlingspunkter til genindvinding og genbrug. Dette produkt er mærket med symbolet en overkrydset affaldsspand for at huske dig på dette. Formålet med dette direktiv er at hjælpe med at bevare ressourcer og sikre, at de genindvindes således, at menneskers helbred og miljøet beskyttes. Kontakt de lokale myndigheder for at få yderligere oplysninger om, hvor du kan aflevere dit affald. Det koster ikke noget at aflevere affald på disse returfaciliteter.



EF-overensstemmelseserklæring

Dette produkt overholder lavspændingsdirektivet 2014/35/EU, EMC-direktivet 2014/30/EU, RoHS-direktivet 2011/65/EU og REACH-bestemmelserne 1907/2006.



Viktig säkerhetsinformation • Läs all säkerhetsinformation innan du använder utrustningen. Spara dessa instruktioner

Läs och förstå alla instruktioner i denna manual för att minska risken för brand eller explosion, elstöt och personskador. Bekanta dig med reglagen och korrekt användning av utrustningen.



Indikerar en farlig situation som, om den inte undviks kan leda till dödsfall eller allvarlig personskada.

FARA: GIFT

Var mycket försiktig vid borttagning av färg. Flagorna, resterna och ångorna från färgen kan innehålla bly, vilket är giftigt. All färg som applicerats i hem före 1950 innehåller troligtvis bly. All färg som tillverkats före 1977 kan innehålla bly. När färgen har deponerats på ytor kan kontakt mellan hand och mun leda till intag av bly. Även exponering för låga nivåer av bly kan orsaka bestående skador på hjärna och nervsystem. Unga och ofödda barn är särskilt känsliga för blyförgiftning.

Innan du påbörjar arbetet med att ta bort färg ska du avgöra om färgen som du ska ta bort innehåller bly. Detta kan utföras av den lokala hälsovårdsmyndigheten eller av en yrkesman som använder en färganalysator för att kontrollera blyinnehållet i färgen som ska tas bort. Blybaserad färg får endast tas bort av en yrkesman och får inte tas bort med hjälp av varmluftspistol.

FÖRHINDRAS GENOM:

Flytta ut arbetsstycket utomhus, skyddat mot regn. Om detta inte är möjligt, se till att arbetsområdet är välventilerat. Öppna fönstren och ställ en utsugningsfläkt i ett av dem. Se till att fläkten för suger ut luften inifrån och ut.

- Ta bort eller täck över mattor, möbler, kläder, köksredskap och ventilationskanaler.
- Placera dropptrasor i arbetsområdet för att samla upp färgflagor. Använd skyddskläder som exempelvis extra arbetsströjor, overaller och hjälmar.

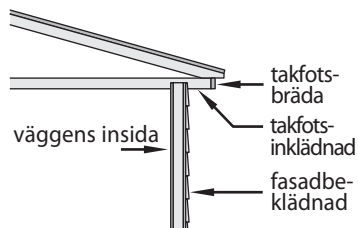
- Arbeta i ett rum åt gången. Möbler ska tas bort eller placeras i mitt i rummet och täckas över. Arbetsområden ska tätas av från resten av bostaden genom att hänga skyddsdraperier för dörröppningarna.
- Barn, gravida eller möjligtvis gravida kvinnor och ammor får inte befinna sig i arbetsområdet förrän arbetet har utförts och all rengöring har slutförts.
- Använd en godkänd dammandningsmask eller en andningsmask med dubbelt filter för damm och ångor. Dessa maskor och utbytbara filter finns att köpa i större byggvarubutiker. Kontrollera att masken passar ordentligt. Skägg och ansikts hår kan förhindra masken från att sluta tätt. Byt filter ofta. Engångs pappersmask är inte tillräckliga.
- Var försiktig när du använder varmluftspistolen. Håll varmluftspistolen i rörelse eftersom överflödigt värme alstrar ångor som kan inandas av användaren.
- Håll mat och dryck utanför arbetsområdet. Tvätta händer, armar och ansikte och skölj munnen innan du äter eller dricker. Rök inte och tugga inte tuggummi eller tobak i arbetsområdet.
- Städa upp all borttagen färg och allt damm genom att tvätta golvet med en våt mopp. Använd en våt trasa för att rengöra alla väggar, trösklar och andra ytor där färgdamm har fastnat. Sopa inte och dammsug inte upp torrt damm. Använd rengöringsmedel med högt fosfatinnehåll (trisodiumfosfat - TSP) för att tvätta och moppa av områdena.
- Vid slutet av varje arbetspass ska färgflagor och smuts samlas upp i dubbla plastpåsar, stängas igen med tejp eller knyts samman och avfallshanteras på korrekt sätt.
- Ta av skyddskläder och arbetsskor i arbetsområdet för att förhindra att damm tas med till resten av byggnaden. Tvätta arbetskläderna separat. Torka av skorna med en våt trasa och tvätta den sedan tillsammans med arbetskläderna. Tvätta hår och kropp noga med tvål och vatten.

FARA: EXPLOSION ELLER BRAND

Varmluftspistolen alstrar extremt höga temperaturer (upp till 600 °C). Den måste användas med försiktighet för att förhindra att antändbart material antänds.

FÖRHINDRAS GENOM:

- Håll varmluftspistolen konstant i rörelse. Stoppa inte och dröj inte kvar på en plats.
- Var extremt försiktig om den andra sidan av materialet som skrapas är oåtkomlig, till exempel husfasader. Den dolda sidan kan fatta eld om den blir för het. Vissa byggnader kan innehålla antändliga material bakom fasadväggarna, golven, paneler, valvbrädor och andra paneler. Kontrollera dessa områden innan de värms upp och använd inte ett värmeverktyg om antändliga material finns närvarande eller om du är osäker på det dolda materialet.
- Använd inte i närheten av ytor med sprickor eller nära metallrör eller plåt. Värme kan ledas bakom arbetsytan och antända dolt material. Antändning av dolt material kanske inte är enkelt att se och kan leda till skada på egendom och personskador.
- Använd inte elverktyg i närheten av antändliga vätskor eller gaser.
- Använd inte i närheten av antändliga material, till exempel torrt gräs, löv och papper som kan svedas och fatta eld.
- Munstycket blir mycket varmt. Lägg inte varmluftspistolen på antändliga ytor när den används eller direkt efter att den stängts av. Placera alltid varmluftspistolen på en plan, jämn yta så att munstyckets spets är riktad uppåt och bort från stödytan.
- Rör inte vid munstycket förrän verktyget har svalnat.
- Använd inte varmluftspistolen som hårtork.
- Verktyg och färgskrap blir mycket varmt. Använd arbetshandskar och ögonskydd när du skrapar bort färg för att undvika brännskador.
- Behandla alltid varmluftspistolen med samma respekt som en öppen låga.



- Får ej användas i explosionsfarliga omgivningar.

FARA: EL

Kan orsaka skada på egendom, allvarliga personskador eller dödsfall.

FÖRHINDRAS GENOM:

- Ta inte isär varmluftspistolen.
- Arbeta inte i våta utrymmen och utsätt inte varmluftspistolen för regn eller fukt.
- Skydda mot elstöt genom att förhindra kroppskontakt med jordade ytor som exempelvis rör, element, spisar, aluminiumstegar eller andra jordade enheter.
- Hantera kabeln på rätt sätt. Bär aldrig varmluftspistolen i kabeln och dra inte i kabeln för att ta ut den från eluttaget. Håll kabeln på avstånd från värme, olja och vassa kanter. Inspektera regelbundet kabeln för slitage och skador.
- Använd endast förlängningskablarna som är avsedda för användning utomhus. Om en förlängningskabel är skadad eller på annat sätt olämplig att använda ska den ersättas med en ny förlängningskabel.

FARA: ALLMÄNT

Kan orsaka skada på egendom eller allvarlig personskada.

FÖRHINDRAS GENOM:

- Koppla alltid från varmluftspistolen från strömförsörjningen när den inte används. Förvaras inomhus på torr plats och utom räckhåll för barn.
- Se till att arbetsområdet är väl upplyst och rent.
- Sträck dig inte, särskilt inte när du arbetar på stege. Stå stadigt och håll dig hela tiden i balans. Var noga med att stegar som används är stadiga och står stabilt på fast mark och är lutad i säker arbetsvinkel.
- Undvik elledningar.
- Håll rörliga föremål säkrade och stadigt under skraparbetet.
- Använd alltid skyddsglasögon under arbetet.
- Var uppmärksam och använd sunt förnuft när du använder verktyg.
- Får ej användas för att tina frusna rör som befinner sig i väggar eller nära brännbara föremål. Använd alltid reflektor munstycke (artikelnr 2366225) tina frysta rör.
- Lämna inte varmluftspistolen utan uppsikt medan den är tillslagen.

- Denna apparat kan användas av barn som är åtta år eller äldre och av personer med försämrad fysisk, känslomässig och mental förmåga eller bristande erfarenhet och kunskap om de får handledning eller instruktioner om hur apparaten används på ett säkert sätt och förstår farorna vid användningen. Barn ska inte leka med apparaten.
- Håll apparaten och dess kabel utom räckhåll för barn som är 8 år eller yngre.

STRÖMANSLUTNING (endast UK)

Denna varmluftspistol levereras med kabelset med säkring. Detta syns genom säkringshållaren i botten av kontakten. Läs följande säkerhetsinstruktioner före användning:

1. Om kablarna skadas ska de bytas till en ny kabel för att förhindra säkerhetsrisker. Kontakta Wagner kundservice för en utbyteskabel.
2. Använd **INTE** under några omständigheter varmluftspistolen eller kablarna utan att säkringslocket är på plats. Det är det lilla locket som sitter i botten av kontakten för att hålla säkringen på plats.
3. Om du tappar säkringslocket ska du kontakta en elektriker eller ring till vår helpline för ett ersättningslock.
4. En ersättningssäkring måste vara märkt 13 A. Denna måste vara tillverkad och godkänd enligt BS1362.
5. **OM DU ÄR TVEKSAM SKA DU KONTAKTA EN BEHÖRIG ELEKTRIKER.**

STRÖMANSLUTNING (ej UK)

Denna varmluftspistol levereras med kabel. Om kablarna skadas ska de bytas till en ny kabel för att förhindra säkerhetsrisker. Kontakta Wagner kundservice för en utbyteskabel.

OM DU ÄR TVEKSAM SKA DU KONTAKTA EN BEHÖRIG ELEKTRIKER.

VARNING – Använd en förlängningskabel som är kompatibel med kontakten på produkten. Kontrollera att förlängningskabeln är i bra skick. Vid användning av förlängningskabel, ska du vara noga att använda en som är tillräckligt kraftig för den ström som produkten förbrukar. En för klen kabel orsakar spänningsfall, vilket leder till förlorad effekt och överhettning. En godkänd H05RR-F 3 x 1,0 mm2 gummikabel är minimikravet för normal användning.

Använda varmluftspistolen

Allmän beskrivning

Denna varmluftspistol är ett elektriskt kvalitetsverktyg. Precis som andra elverktyg kan det vara farligt om det används på fel sätt. Läs följande instruktioner noga och följ alla säkerhetsföreskrifter. Det är ägarens ansvar att varmluftspistolen används på rätt sätt.

Specifikationer

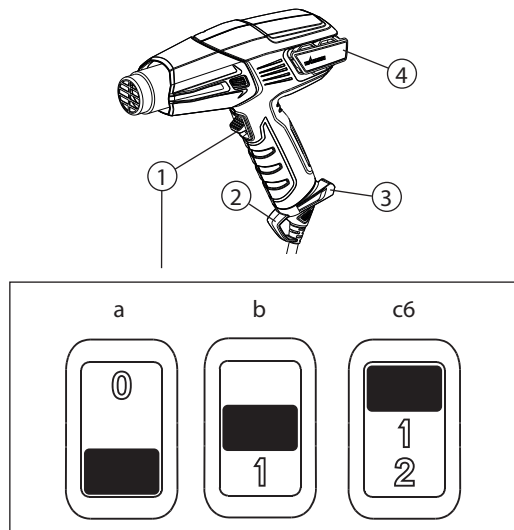
| | |
|-------------|---|
| Hölje | Tekniska värmebeständiga polymerer som är stöttåliga och korrosionsbeständiga |
| Effekt | 1600 Watt på HÖG, 800 Watt på LÅG |
| Spänning | 220 – 240 V AC |
| Frekvens | 50 – 60 Hz |
| Värmeeffekt | Ungefär 575 °C på HÖG, ungefär 400 °C på LÅG |
| Vikt | 0,72 kg |

Beskrivning av delarna

Funktioner bild 1

- 1) Lägesväljare
 - a) 0 (FRÅN)
 - b) 1 (LÅG)
 - c) 2 (HÖG)
- 2) Upphängningskrok
- 3) Handtagsstabilisatorer och kabel (avtagbar med verktyg)
- 4) Bakre stödfjänsar (stativ)

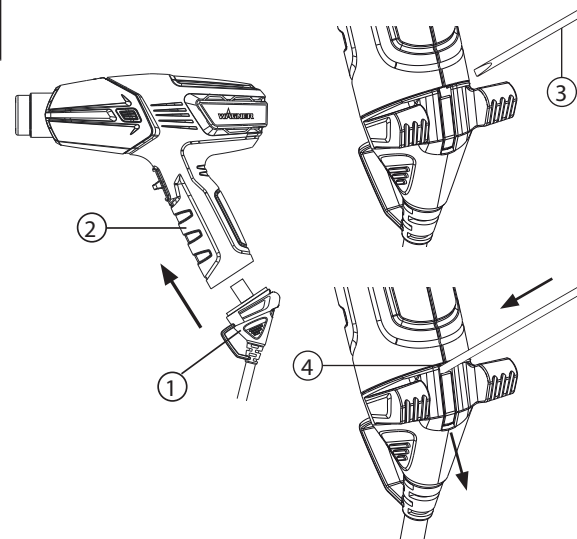
Bild 1



Fästa kabeln

Kabeln (bild 2, 1) till varmluftspistolen levereras separat från varmluftspistolen (bild 2, 2). Fäst den genom att rikta in kabeln efter uttaget på varmluftspistolens handtag och tryck stadigt samman tills du hör ett klick. Kabeln behöver inte tas av igen. Om det är nödvändigt att ta av den, för in en liten skruvmejsel eller liknande verktyg (bild 2, 3) i hålen som bilden (bild 2,4). När motståndet känns av i änden av verktyget appliceras tryck för att trycka in frigöringsmekanismen. Dra stadigt av kabeln från varmluftspistolen.

Bild 2



F300 varmluftpistol är ett av de mest mångsidiga verktyg du kan äga. Den kan användas för många olika projekt, från stora GDS-projekt till små konst- och hantverksjobb. För mer information om flera projekt och "Gör så här"-filmer är du välkommen att besöka vår webbsidan www.wagner-group.com.

| Användning | | Värme | Munstycke-salternativ |
|---|--|---------|---|
| GDS | Ta bort färg | HÖG | Koncentrerande eller brett |
| | Väggreparation | LÅG | Öppen (inget munstycke) |
| | Torka färg | LÅG | Öppen (inget munstycke) |
| | Mjukar upp limmer för borttagning av golvplattor | LÅG | Brett koncentrerande |
| | Böja plast, plexiglas, formica | LÅG/HÖG | Reflektor munstycke |
| | Ta bort formica och linoleum | LÅG | Brett koncentrerande |
| | Mjukar upp färg, tätning och kitt för att underlätta borttagning (använd värmedeflektor) | HÖG | Koncentrerande eller Brett koncentrerande |
| | Krymper plastfilm för omslag eller väderskydd | LÅG | Brett koncentrerande |
| Små jobb (inkluderat reparation) | Lösgörning av fastrostade muttrar, skruvar och kopplingar | HÖG | Öppet/koncentrerande |
| | Reparation av jeans | LÅG | Brett koncentrerande |
| | Bränna ogräs | HÖG | Koncentrerande |
| | Ta bort lim | LÅG | Öppen (inget munstycke) |

| Användning | | Värme | Munstycke-salternativ |
|-------------------------|---|-----------|------------------------------|
| | Valla skidor/snowboard | LÅG | Brett koncentrerande |
| | Glasfiberarbete | HÖG | Koncentrerande eller brett |
| | Tina upp rörledningar och lås | LÅG | Reflektor munstycke |
| | Tända en grill | HÖG | Koncentrerande/BBQ-munstycke |
| | Värma betong före lappning | LÅG/HÖG | Koncentrerande |
| | Avfrosta kyl/frys | LÅG | Öppen (inget munstycke) |
| | Konst och hantverk | Göra ljus | LÅG |
| Göra tvål | | LÅG | Öppen (inget munstycke) |
| Krympa omslag presenter | | LÅG | Öppen (inget munstycke) |
| Forma skum | | LÅG | Öppen (inget munstycke) |
| Kakdekoration | | LÅG/HÖG | Öppen (inget munstycke) |
| Bil | Ta bort klistermärken, emblem och dekaler | LÅG | Öppen (inget munstycke) |
| | Ta bort bucklor | HÖG | Öppen (inget munstycke) |

| Användning | | Värme | Munstycke- salternativ |
|-------------------|---|-------|----------------------------|
| | Ta bort färg | HÖG | Koncentrerande eller brett |
| | Applicera och ta bort toning från fönster | LÅG | Öppen (inget munstycke) |
| | Återställa stötdämpare | HÖG | Öppen (inget munstycke) |
| Elektronik | Reparation av smartphones och surfplattor | LÅG | Koncentrerande |
| | Reparation av Playstation och Xbox | LÅG | Koncentrerande |



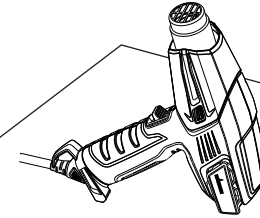
Läs alltid säkerhetsinformationen i den här manualen innan du använder varmluftspistolen.

1. Anslut varmluftspistolen till ett standard eluttag.
2. Starta varmluftspistolen genom att flytta brytaren till önskad inställning. Ljudet från den motordrivna fläkten indikerar att varmluftspistolen är igång.
3. Koppla alltid från varmluftspistolen från strömförsörjningen när arbetet har slutförts.

Handsfree användning

Varmluftspistolen har ett inbyggt stativ (bild 3) för användning på arbetsbänken och för avsvälning.

Bild 3



OBS: Rök kan bildas under första uppstarten på grund av att tillverkningsolja bränns. Röken ska försvinna kort efter den första uppstarten.

VIKTIGT: Om den motordrivna fläkten i varmluftspistolen inte startar när vredet ställs på antingen LOW eller HIGH ska den genast stängas av. Värmeelementet bränns om det inte kyls av den motordrivna fläkten.

OBS: Placera alltid varmluftspistolen upprätt när den har stängts av, oavsett om det är för en kort paus eller för förvaring. Undvik att lägga enheten på sidan när den har stängts av. Värmen stannar kvar i enheten och avsvälningen tar längre tid. Förvara inte enheten förrän munstycket har svalnat. Ta ur kontakten från enheten innan den läggs på förvaring för att förhindra oavsiktlig start.

VIKTIGT: Skydda alltid glaset vid arbete i närheten av fönster.



Rör inte vid munstycket eller andra verktyg som används under arbetet. De blir extremt heta och orsakar allvarliga brännskador. Använd handskar för att skydda händerna mot heta avskrap.

Ta bort färg

Varmluftspistolen värmer upp ytan och gör att färgen blir mjuk så att den är lätt att skrapa av utan att skada ytan. En del färger blir mjuka även om det inte bildas bubblor, en del blir gummiaktiga och en del kräver högre värme.

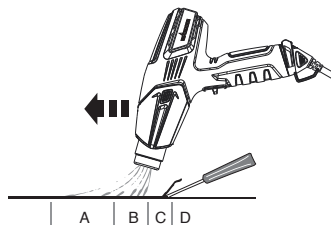
När man arbetar med flera lager färg går det snabbare att skrapa av färgen om hela lagret av ytan värms upp, helt in till träet. Därefter kan alla lager skrapas av på en gång.

En mjuk borste kan vara det bästa verktyget att använda för mycket besvärliga ytor. Mineralfärger och ytbehandlingar, till exempel cementfärg och porslin, blir inte mjuka av värme så det fungerar inte att använda ett uppvärmningsverktyg för borttagning av sådan färg.

Den bästa metoden för färgborttagning

För varmluftspistolen sakta och stabilt framåt med en vinkel mot ytan. Peka munstycket i rörelseriktningen. Därmed kan du skrapa säkert utanför varmluftsströmmen och hålla skrapan och den skrapade ytan avsvanad.

- A. Varm lyft förvärmer ytan.
- B. Färgen blir mjuk av varm luft.
- A + B. Djupgående penetrering av värme över hela ytan.
- C. Färgen kan enkelt skrapas av så snart den har blivit mjuk och varmluftspistolen rörs framåt.
- D. Låt den avskrapade ytan svalna.



OBS: Använd inte varmluftspistolen på ytor som kan skadas av värme, till exempel vinylbelagda paneler, vinylbelagd fasadklädsel eller vinylbelagda fönsterkarmar.

Vid borttagning av färg från fönsterkarmar blir kittet mjukt av värmen. Var försiktig så att inte kittet tas bort av skrapan. Kittet stelnar igen när det svalnar.

Använd inte varmluftspistolen på isolerglasfönster som exempelvis Thermopane. Glaskantens expansion kan göra att kanttätningen brister.

Vid avskrapning av fasader, överhettas inte kanterna på asfaltshingel som sticker ut över kanten. För hög temperatur smälter asfalten.

VIKTIGT: Det är säkert att ta bort färgen med en varmluftspistol om ovanstående anvisningar följs, men håll alltid en behållare med vatten eller en ABC brandsläckare (lämplig mot bränder av klass A, B och C) inom räckhåll.

Rengöring och underhåll

Håll insugningsöppningarna på höljet rena och fria från hinder. Använd en mjuk, torr borste för att regelbundet rengöra öppningarna. Använd endast mild såplösning och en fuktig trasa för att rengöra varmluftspistolen. Många hushållsrengöringsmedel innehåller kemikalier som kan skada höljet allvarligt.

Använd inte bensin, terpentin, lack- eller färgthinner, kemtvättmedel eller liknande produkter vid rengöring av varmluftspistolen.

Låt **ALDRIG** någon vätska komma in i verktyget och sänk inte ner någon del av verktyget i vätska.

Rengöring och underhåll ska inte utföras av barn om de inte är äldre än åtta år och får handledning.

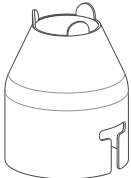
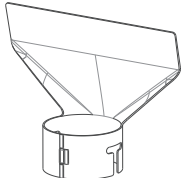
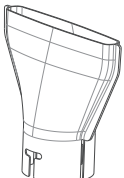

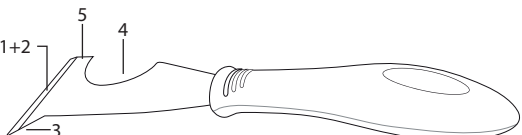
Förvaring

Låt varmluftspistolens munstycke svalna till rumstemperatur innan den läggs på förvaringsplatsen.

Munstycket blir mörkt med tiden på grund av den höga temperaturen. Detta är normalt och påverkar inte enhetens funktion eller livslängd.

Tillbehör

Följande tillbehör kan medfölja till varmluftspistolen eller kan köpas separat från www.wagner-group.com/service.
Se alternativt baksidan av manualen för information om närmaste servicecenter.

| Namn | Beskrivning | Namn | Beskrivning | | |
|---|--|---|--|---|---|
| Koncentrerande munstycke P/N2366222 |  | Riktar det koncentrerade värmeflödet mot arbetsytan. Perfekt för borttagning av färg i svåråtkomliga hörn, springor, gjutformar, pärlspont eller kornisher. | Glasskydds- munstycke P/N2366224 |  | Leder bort värmen från glas och andra känsliga områden. Perfekt för fönsterkarmar, gesimser och golvlistor. |
| Brett koncentrerande munstycke P/N2366223 |  | Riktar ett långt, smalt värmemönster mot arbetsytan. Perfekt för borttagning av färg eller lack från stora, släta ytor, till exempel golvlistor, dörrar, trappor, etc. Det ska användas tillsammans med en plan skrapa. | Reflektor munstycke P/N2366225 |  | Sprider värmeflödet jämnt runt hela arbetsytan. Perfekt för upptining av frusna rörledningar, lödning av rör, böjning av plast eller värmekrympning av isoleringsrör. |
| Namn | Beskrivning | | | | |
|  | 5-i-1 detaljerat skrapverktyg P/N2366227 | | | | |
| | Detta verktyg har fem funktioner. Bladet används för att (1) skrapa bort färg och (2) sprida ut massa. Håljärnet (3) används för att ta bort kitt/tätning från öppna sprickor. Det böjda området (4) används för att rengöra valskåpor. Den plana sidan (5) kan användas för att öppna färgburkar. | | | | |

VIKTIGT: Använd alltid handskar när du hanterar varmluftspistolen.

För att fästa ett tillbehör på varmluftspistolen:

1. Ställ varmluftspistolen upprätt på en plan yta och vänta tills munstycket har svalnat.
2. Sätt fast tillbehöret på varmluftspistolens munstycke och tryck det på plats för hand.

För att ta bort ett tillbehör från varmluftspistolen:

1. Ställ varmluftspistolen upprätt på en plan yta och vänta tills munstycket har svalnat.
2. Dra av tillbehöret från munstycket.

Produktregistrering

Registrera produkten online på www.wagner-group.com/3plus1 för att kvalificera för ett års extra garanti.

3+1 års garanti

Garantin gäller i tre år, räknat från försäljningsdatumet (inköpskvitto). Garantin förlängs med ytterligare tolv månader om utrustningen registreras inom fyra veckor från inköpsdatum på www.wagner-group.com/3plus1. Registrering är endast möjlig om köparen godkänner att informationen som ska lämnas sparas. Garantin omfattar och är begränsad till kostnadsfri åtgärd av fel som kan visas bero på användning av defekta material vid tillverkningen eller tillverkningsfel, eller kostnadsfritt byte av defekta delar. Garantin omfattar inte felaktig användning eller idrifttagnings-, anslutnings- eller reparationsarbete som inte anges i bruksanvisningen. Slitagedelar omfattas inte av garantin. Garantin gäller inte vid kommersiell användning. Vi förbehåller oss uttryckligen rätten att uppfylla garantin. Garantin upphör att gälla om verktyget öppnas av någon annan än Wagners servicepersonal. Transportskador, underhållsarbete och förlust eller skador på grund av felaktigt underhållsarbete omfattas inte av garantin. Vid eventuella garantianspråk måste inköpskvittot lämnas in. Där det är legalt möjligt fransägar vi oss allt ansvar för personskador, skador eller följskador, särskilt om verktyget har använts för annat syfte än det som anges i bruksanvisningen, idrifttagits eller reparerats på annat sätt än i enlighet med vår bruksanvisning eller om reparationer har utförts av någon som inte är kompetent. Vi förbehåller oss rätten att utföra reparationer utöver det som anges i bruksanvisningen. Vid garantifall eller reparationer ska du kontakta inköpsstället. Denna garanti påverkar inte dina lagstadgade rättigheter.

INFORMATION OM AVFALLSHANTERING AV ELEKTRISK OCH ELEKTROINISK UTRUSTNING (WEEE-DIREKTIVET)

Du ska ta reda på informationen i nya direktiv som gäller för avfallshandling av elektrisk utrustning. I enlighet med gällande lagar får inte denna produkt kastas i det normala hushållsavfallet. I stället är det ditt ansvar att kasta den här typen av avfall genom att lämna in den till särskilda samlingsstationer för återvinning och återanvändning. Denna produkt är märkt med en "soptunna" med ett kors över för att påminna dig om detta. Syftet med detta direktiv är att bevara resurserna och se till att den återvinns på ett sätt som skyddar människors hälsa och miljön. För mer information om var du kan lämna ditt avfall kan erhållas från lokala myndigheter, returanläggningar är kostnadsfria.



Intyg om överensstämmelse med CE-direktiv

Denna produkt uppfyller lågspänningsdirektivet 2014/35/EU, EMK-direktivet 2014/30/EU, RoHS-direktivet 2011/65/EU och REACH-bestämmelserna 1907/2006.



Viktig sikkerhetsinformasjon • Les all sikkerhetsinformasjon før utstyret tas i bruk. Ta vare på disse instruksjonene

For å redusere faren for brann eller eksplosjon, elektrisk støt og personskader, skal alle instruksjoner i denne håndboken leses og forstås. Gjør deg kjent med kontroller og korrekt bruk av utstyret.



Indikerer en faresituasjon som kan føre til dødsfall eller alvorlig personskade, dersom den ikke unngås.

FARE: GIFTIG

Det må utvises ekstrem forsiktighet når lakken fjernes. Avskallinger, rester og malingdamp kan inneholde bly som er giftig. All maling som er brukt i hus fra før 1950, inneholder sannsynligvis bly. All maling som er produsert før 1977 kan inneholde bly. Når malingen er påført på overflater, kan henderes kontakt med munnen medføre inntak av bly. Selv inntak av lave blynivåer kan medføre irreversible skader på hjerne og nervesystem. Små og ufødte barn er spesielt sårbare i forhold til blyforgiftning.

Før alle fjerningsprosesser for maling bør du avgjøre om malingen som fjernes, inneholder bly. Dette kan gjøres av din lokale helseavdeling eller av profesjonelle som bruker en malinganalysator for å kontrollere blyinnholdet i malingen som skal fjernes. Blybasert maling skal bare fjernes av profesjonelle og skal ikke fjernes med varmpistol.

HINDRING:

Flytt arbeidsstykket utendørs, skjermet for regn. Hvis dette ikke er mulig, må arbeidsområdet holdes godt ventilert. Åpne vinduene og plasser en ventilasjonsvifte i et av disse. Sørg for at viften skyver luften innenfra og ut.

- Fjern eller dekk til eventuelle tepper, matter, møbler, klær, kjøkkenutstyr og luftkanaler.
- Plasser tildekningstepper i arbeidsområdet for å fange opp malingbiter og avskallinger. Bruk verneklær som f.eks. ekstra arbeidsskjorter, forklær og luer.

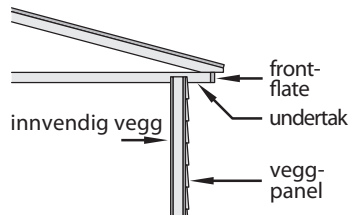
- Arbeid i ett rom om gangen. Innredning bør fjernes eller plasseres i midten av rommet og dekkes til. Arbeidsområder skal være forseglet i forhold til resten av oppholdsrommet ved å forsegle døråpninger med tildekningstepper.
- Barn, gravide eller mulig gravide kvinner og ammende mødre skal ikke være tilstede i arbeidsområdet før arbeidet er ferdig og all rengjøring er fullført.
- Bruk en godkjent støvpustemaske eller en pustemaske med dobbelt filter mot støv og gasser. Disse maskene og utskiftbare filtere kan anskaffes fra større jernvarehandler. Sørg for at maskene passer perfekt. Skjegg og ansiktshår kan medføre at maskene ikke tetter korrekt. Skift filtrene ofte. Kasserbare papirmasker skal ikke brukes.
- Vær forsiktig ved bruk av varmpistol. Sørg for at varmpistolen beveges hele tiden, da for mye varme vil generere gasser som kan inhaleres av operatøren.
- Hold mat og drikk borte fra arbeidsområdet. Vask hender, armer og ansikt og rens munnen før det inntas mat og drikk. Ikke røyk eller tygg tyggegummi eller tobakk i arbeidsområdet.
- Rengjør all fjernet maling og støv med våtmopp på gulvene. Bruk en fuktig klut til å rengjøre alle vegger, terskler og alle andre overflater hvor det kan være malingstøv. Ikke børst, tørk med tørr klut eller bruk støvsuger. Bruk høyfosfats vaskemiddel av trinitriumfosfat (TSP) for å vaske og moppe områdene.
- På slutten av hver arbeidsøkt skal malingbiter og rester legges i dobbel plastpose, denne lukkes med tape eller med knuter og kasseres på korrekt måte.
- Ta av verneklær og arbeidssko i arbeidsområdet for å unngå at støv bæres inn i resten av bygningen. Vask arbeidsklærne for seg selv. Tørk av skoene med en våt klut og vask dem deretter sammen med arbeidsklærne. Vask hår og kropp grundig med såpe og vann.

FARE: EKSPLOSJON ELLER BRANN

Denne varmpistolens produserer ekstremt høye temperaturer (opp til 600 °C). Den må brukes med forsiktighet for å hindre at brennbare materialer antennes.

FORHOLDSREGLER:

- Hold varmpistolens i konstant bevegelse. Ikke stans eller nøl på et enkelt sted.
- Utvis ekstrem forsiktighet hvis den andre siden av materialet som skrapes, er utilgjengelig, som f.eks. på siden av hus. Den skjulte siden kan begynne å brenne hvis den blir for varm. Noen bygninger inneholder svært brennbare materialer bak sidevegger, gulver, overflater, gardinplater og andre paneler. Kontroller disse før det brukes varme, og ikke bruk varmeverktøy hvis det finnes brennbare materialer eller hvis du er usikker på de skjulte materialene.
- Ikke bruk i nærheten av overflater med sprekker eller nær metallrør eller beslag. Varme kan overføres bak arbeidsflaten og antenne skjulte materialer. Antenne skjulte materialer er ikke nødvendigvis åpenbart og kan medføre skade på eiendom og personskader.
- Ikke bruk elektrisk verktøy når det finnes brennbare væsker eller gasser.
- Ikke bruk i nærheten av brennbare materialer, som tørt gress, blader og papir som kan brenne og antennes.
- Dysen blir svært varm. Ikke legg varmpistolens på brennbare overflater når pistolen er bruk eller umiddelbart etter at pistolen er slått av. Plasser alltid pistolen på et flatt, jevnt underlag slik at dysespissen er rettet oppover og vekk fra støtteflaten.
- Ikke berør dysen før verktøyet er avkjølt.
- Ikke bruk varmpistolens som hårtørker.
- Verktøy og malingbiter blir svært varme. For å unngå brannskader må det brukes arbeidshansker og øyebeskyttelse under skraping.



- Behandle alltid varmpistolens med samme respekt som med åpne flammer.
- Må ikke brukes i områder med eksplosiv luft.

FARE: ELEKTRISITET

Kan medføre skade på eiendom, alvorlige personskader eller dødsfall.

FORHOLDSREGLER:

- Ikke ta fra hverandre varmpistolens.
- Det må ikke arbeides i fuktige omgivelser og varmpistolens må ikke utsettes for regn eller fuktighet.
- Beskytt mot elektrisk støt ved å forhindre kroppskontakt med jordede overflater som rør, radiatorer, koblinger, aluminiumsstiger eller andre jordede enheter.
- Ikke misbruk ledningene. Løft aldri varmpistolens i ledningen eller dra i ledningen for å koble den fra strømtilførselen. Hold ledningene borte fra varme, olje og skarpe kanter. Inspiser ledningene jevnlig for slitasje eller skader.
- Bruk bare skjøteledninger som er beregnet for utendørs bruk. Hvis en skjøtekabel er skadet eller blir ubrukelig på annen måte, skal den erstattes med en ny skjøtekabel.

FARE: GENERELT

Kan medføre skade på eiendom eller alvorlige personskader.

FORHOLDSREGLER:

- Koble alltid varmpistolens fra strømtilførselen når den ikke er i bruk. Lagre innendørs på et tørt sted og utenfor rekkevidde for barn uten oppsyn.
- Hold arbeidsområdet godt belyst og rent.
- Ikke bøyg for langt over, spesielt ved arbeid på stiger. Sørg for god fotfeste og god balanse til enhver tid. Sørg for at stiger som brukes, er solide, stabile, står på fast underlag og er reist i trygge arbeidsvinkler.
- Unngå strømledninger.
- Hold bevegelige elementer sikret og stødig under skraping.
- Bruk alltid øyebeskyttelse under arbeidet.
- Vær oppmerksom og bruk sunn fornuft når verktøyet brukes.
- Bruk aldri for å tine opp frosne rør som er plassert inne i vegger eller

nær brennbare materialer. Bruk alltid reflektormunnstykket (delnr. 2366225) for å tine frosne rør.

- Ikke la varmepistolen ligge uten oppsyn når den er slått på.
- Dette utstyret kan brukes av barn over 8 år og personer med reduserte fysiske, følelsesmessige og mentale evner eller manglende erfaring og kunnskap hvis de har fått opplæring eller instruksjon med hensyn til bruk av utstyret på en trygg måte og forstår farene som er involvert. Barn skal ikke leke med utstyret.
- Hold utstyret og ledningen utenfor rekkevidde for barn på mindre enn 8 år.

STRØMTILKOBLING (kun Storbritannia)

Denne varmepistolen er utstyrt med et ledningssett med sikring. Dette identifiseres med sikringsholderen nederst på pluggen. Les følgende sikkerhetsinstruksjoner før bruk:

1. Hvis ledningssettet er skadet, må det erstattes med et nytt ledningssett for å unngå farer for sikkerheten. Ta kontakt med Wagner kundetjeneste for erstatningsledninger.
2. Bruk **ALDRI** under noen omstendigheter varmepistolen eller ledningssettet uten at sikringsdekselet er montert. Dette er det lille dekselet som er festet inn i bunnen på pluggen for å holde sikringen på plass.
3. Hvis du mister sikringsdekselet, må du ta kontakt med en elektrisk forhandler for erstatning eller ringe vår hjelpetelefon.
4. Erstatningssikringen må være på 13 A. Denne må være produsert og godkjent i forhold til BS1362.
5. **ITVILSTILFELLER, TA KONTAKT MED EN KVALIFISERT ELEKTRIKER.**

STRØMTILKOBLING (utenfor Storbritannia)

Denne varmepistolen er utstyrt med et ledningssett. Hvis ledningssettet er skadet, må det erstattes med et nytt ledningssett for å unngå farer for sikkerheten. Ta kontakt med Wagner kundetjeneste for erstatningsledninger.

ITVILSTILFELLER, TA KONTAKT MED EN KVALIFISERT ELEKTRIKER.

ADVARSEL - Bruk en skjøtekabel som passer til pluggen for produktet. Sørg for at skjøtekabelen er i god stand. Ved bruk av skjøtekabel må det påses at denne er tykk nok til strømmen som trekkes av produktet. En ledning som er for tynn, vil medføre spenningsfall og dermed effekttap og overoppheting. En harmonisert H05RR-F 3 x 1,0 mm² gummiledning er nødvendig som minstekrav for vanlig bruk.

Bruk av varmepistolen

Generell beskrivelse

Denne varmepistolen er et elektrisk kvalitetsverktøy. Som alle elektriske verktøy kan den være farlig ved feil bruk. Les følgende instruksjoner nøye og følg alle sikkerhetsanvisninger. Det er eierens ansvar å bruke varmepistolen på korrekt måte.

Spesifikasjoner

| | |
|-------------|--|
| Hus | Støt- og korrosjonsbestandig og varmebestandig polymer |
| Effekt | 1600 Watt på HØY, 800 Watt på LAV |
| Spenning | 220 - 240 V AC |
| Frekvens | 50 - 60 Hz |
| Varmeutgang | Omtrent 575 °C på HØY, omtrent 400 °C på LAV |
| Vekt | 0,72 kg |

Komponentbeskrivelse

Egenskaper fig. 1

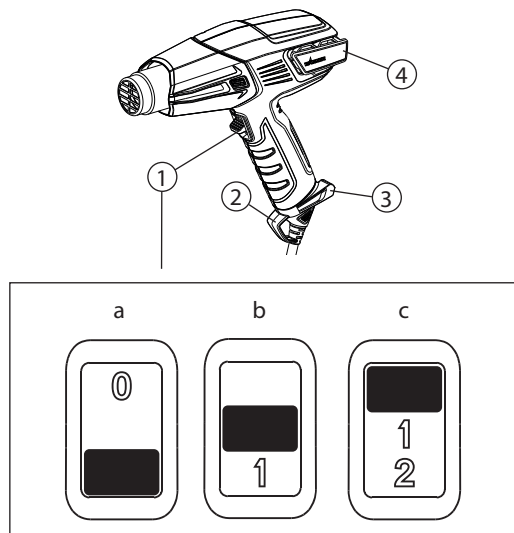
- 1) Modusvelgerbryter
 a) 0 (AV)
 b) 1 (LAV)
 c) 2 (HØY)

2) Opphengskrok

3) Håndtaksstabilisatorer og ledningssett (kan demonteres med verktøy)

4) Bakre stabilisatorvinger (stående)

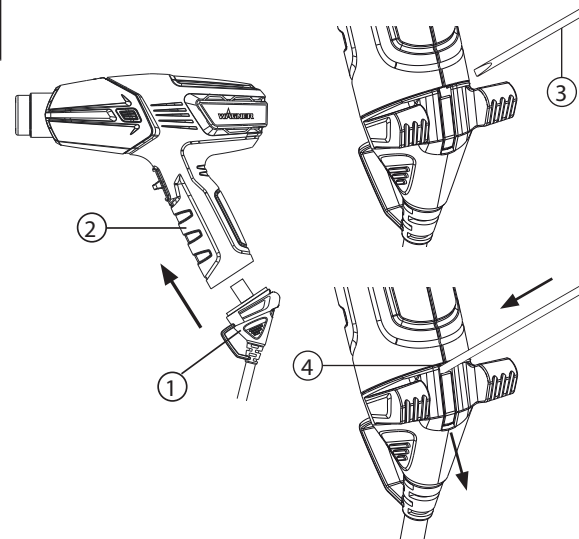
Fig. 1



Feste ledningssettet

Ledningssettet (fig. 2, 1) for varmepistolen leveres atskilt fra pistolen (fig. 2, 2). For å feste dette legges ledningen langs bunnen på pistolens håndtak og disse presses godt sammen inntil du hører et klikk. Ledningssettet behøver ikke fjernes. Hvis det er nødvendig å ta det av, settes en liten skrutrekker eller lignende verktøy (fig. 2, 3) inn i hullet som vist (fig. 2, 4). Når det kjennes motstand i enden av verktøyet, trykkes for å trykke ned frigjøringsmekanismen. Trekk fast i ledningssettet, vekk fra pistolen.

Fig. 2



F300 varmepistol er et av de mest allsidige verktøyene du kan eie. Det kan brukes til en mengde forskjellige prosjekter, fra store reparasjoner til små håndverksjobber. For flere informasjoner om diverse prosjekter og "Hvordan"-videoer, se nettsiden www.wagner-group.com.

| Bruk | | Varme | Dysespiss-alternativer |
|---|---|---------|--------------------------------------|
| Reparasjon | Fjerne maling | HØY | Konsentrert eller bred |
| | Veggreparasjon | LAV | Åpen (ingen spiss) |
| | Tørke maling | LAV | Åpen (ingen spiss) |
| | Bløtgjøre lim for å fjerne gulvfliser | LAV | Bred konsentrasjon |
| | Bøye plast, pleksiglass, formingsmasse | LAV/HØY | Reflektor-munnstykket |
| | Fjerne formingsmasse og linoleum | LAV | Bred konsentrasjon |
| | Bløtgjøre maling, kalk og kitt for enklere fjerning (bruk varmeavviser) | HØY | Konsentrert eller bred konsentrasjon |
| | Krympe plastfilm for innpakning eller vannetthet | LAV | Bred konsentrasjon |
| Mindre jobber (inkludert reparasjon) | Løsne rustede muttere, bolter og fester | HØY | Åpen / Konsentrert |
| | Reparere bukser | LAV | Bred konsentrasjon |
| | Brenne ugress | HØY | Konsentrert |
| | Fjerne lim | LAV | Åpen (ingen spiss) |
| | Vokse ski/snøbrett | LAV | Bred konsentrasjon |
| | Glassfiberarbeid | HØY | Konsentrert eller bred |
| | Tine rør og låser | LAV | Reflektor-munnstykket |
| | Tenning av grill | HØY | Konsentrert / Grilldyse |

| Bruk | | Varme | Dysespiss-alternativer |
|-------------------------------|----------------------------------|--|------------------------|
| | Varme betong før utbedring | LAV/HØY | Konsentrert |
| | Avising kjøleskap / fryser | LAV | Åpen (ingen spiss) |
| Kunsthåndverk | Lage stearinlys | LAV | Åpen (ingen spiss) |
| | Lage såpe | LAV | Åpen (ingen spiss) |
| | Krympe innpakninger av presanger | LAV | Åpen (ingen spiss) |
| | Formeskum | LAV | Åpen (ingen spiss) |
| | Kakepynt | LAV/HØY | Åpen (ingen spiss) |
| | Bilteknikk | Fjerne etiketter, emblemer og dekaleringer | LAV |
| Fjerne bulker | | HØY | Åpen (ingen spiss) |
| Fjerne lakk | | HØY | Konsentrert eller bred |
| Påføre og fjerne vindusmaling | | LAV | Åpen (ingen spiss) |
| Reparere støtfangere | | HØY | Åpen (ingen spiss) |
| Elektronikk | | Reparere smarttelefon og nettbrett | LAV |
| | Reparere PlayStation og Xbox | LAV | Konsentrert |

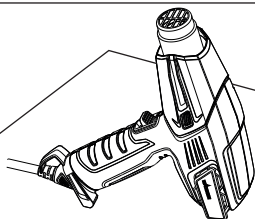
! Les alltid sikkerhetsinformasjonen som følger med denne håndboken, før varmepistolen brukes.

1. Sett inn varmepistolens plugg i en standard strømkontakt.
2. Slå på varmepistolen ved å skyve bryteren til ønsket innstilling. Den motordrevne viftestøyen indikerer at varmepistolen går.
3. Koble alltid varmepistolen fra strømtilførselen når oppgaven er fullført.

Håndfri-betjening

Varmepistolen har et integrert stativ (fig. 3) for bordapplikasjoner og for nedkjøling.

Fig. 3



Merk: Røyk kan oppstå under den første oppstarten på grunn av brenning av produksjonsoljer. Røyken vil spres kort etter første oppstart.

VIKTIG: Hvis den motordrevne viften i varmepistolen ikke slås på når bryteren settes enten på LOW eller HIGH, slås bryteren AV med en gang. Varmeelementet vil brenne opp hvis det ikke avkjøles av den motordrevne viften.

Merknad: Plasser alltid varmepistolen stående etter at den er slått av, enten for en kort pause eller for lagring. Unngå å legge enheten på siden etter at den er slått av. Varmen blir værende i enheten og kjølingen tar lenger tid. Lagre enheten etter at dysen er avkjølt. Trekk ut ledningen for enheten før lagring for å unngå utilsiktet oppstart.

VIKTIG: Beskytt alltid glass ved arbeid i nærheten av vinduer.

! Ikke berør dysen eller annet verktøy som brukes under arbeidet. Dette blir ekstremt varmt og vil medføre alvorlige brannskader. Bruk hansker for å beskytte hendene mot varme avskrapinger.

Fjerne maling

Varmepistolen varmer opp overflaten og medfører at malingen mykner, deretter kan den skrapes enkelt av uten å skade overflaten. Noen malingstyper kan mykne uten å boble, noen kan bli gummiaktige og noen kan kreve høyere varme.

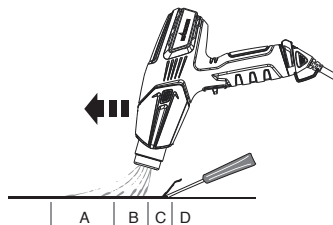
Ved arbeid med flere lag maling vil det påskynde skrapeprosessen når overflaten oppvarmes grundig, hele veien ned til treverket. Dermed kan alle lagene skrapes av samtidig.

En myk stålborste kan være det beste verktøyet for svært vanskelige overflater. Minerallakk og glansing, som f.eks. sementmaling og porselen, mykner ikke ved oppvarming, bruk av varmeverktøy vil dermed ikke virke for fjerning av maling.

Den beste metoden for fjerning av maling

Beveg varmpistolens langsomt og stødig forover i en vinkel mot overflaten, dysen skal peke i bevegelsesretningen. Dette gir deg mulighet til å skrape sikkert på utsiden av den varme luftstrømmen og holder skraperen og den skrapede overflaten kjøligere.

- A. Varm luft forhåndsvarmer overflaten.
- B. Malingen mykner i varm luft.
- A + B. Dyp gjennomtrenging av varme i hele området.
- C. Maling kan enkelt skrapes av så snart den er blitt myk og pistolen er beveget forover.
- D. Strippet overflate må avkjøles.



Merk: Ikke bruk varmpistolens på overflater som kan skades av varme, som f.eks. vinyldekket panel, vinyldekkede sidevegger eller vinyldekkede vindusrammer.

Ved fjerning av maling fra vindusrammer vil varmpistolens bløte opp kittet. Pass på at kittet ikke skrapes ut med skraperen. Kittet vil stivne når det avkjøles.

Ikke bruk varmpistolens på isolerende laminatvindusglass, som f.eks. termopan. Utvidelse av glasskanter kan bryte kantpakningen.

Ved skraping på lister må kantene på asfaltplater som stikker ut over kanten på kledningen, ikke oppvarmes for mye. For mye varme vil smelte asfalten.

VIKTIG: Fjerning av maling med en varmpistol er sikkert hvis retningslinjene overfor overholdes, men ha alltid enten en beholder med vann eller en ABC-brannslukker (passende for branner av type A, B og C) innen rekkevidde.

Rengjøring og vedlikehold

Hold innsugsåpningene i huset rene og fri for hindringer. Bruk en myk, tørr børste for å rengjøre åpningene med jevne mellomrom. Bruk bare mild såpe og en fuktig klut for å rengjøre varmpistolens. Mange husholds-rengjøringsmidler inneholder kjemikalier som kan medføre alvorlige skader på huset.

Ikke bruk petroleum, terpentiner, lakk eller malingstynner, tørre rensevæsker eller lignende produkter ved rengjøring av varmpistolens.

Det må **ALDRI** komme noe væske inn i verktøyet og ingen del av verktøyet må dyppes i væske.

Rengjøring og brukervedlikehold skal ikke utføres av barn med mindre de er over 8 år og under oppsyn.

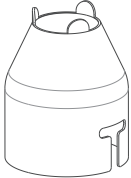
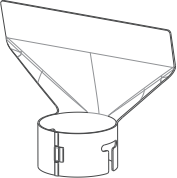
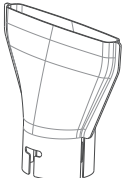

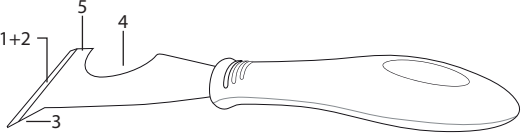
Lagring

La varmpistolens dysen avkjøles til romtemperatur før den lagres.

Dysen blir svart med tiden på grunn av den høye varmen. Dette er normalt og påvirker ikke ytelsen eller levetiden for enheten.

Tilbehør

Følgende tilbehør kan leveres med varmpistolen eller kan kjøpes separat på www.wagner-group.com/service.
Se alternativt baksiden av håndboken for nærmeste servicesenter.

| Navn | Beskrivelse | Navn | Beskrivelse |
|---|--|--|---|
| Konsentrasjonsdyse P/N2366222 |  Retter en konsentrert varmestrøm mot arbeidsflaten. Ideell for fjerning av maling i vanskelige hjørner, sprekker, lister, ribber eller karmner. | Glassbeskyttelsesdyse P/N2366224 |  Avviser varmen fra glass eller andre skjøre områder. Ideell for vinduskarmner, hyller, rammer og fotlister. |
| Bred konsentrasjonsdyse P/N2366223 |  Retter et langt, smalt varmemønster mot arbeidsflaten. Ideell for fjerning av maling eller lakk fra store, flate overflater, som f.eks. fotlister, dører, trapper osv. Den bør brukes i kombinasjon med en flat skrape. | Reflektor munnstykket P/N2366225 |  Sprer varmestrømmen jevnt rundt hele arbeidsflaten. Ideell for tining av frose rør, loddearbeid på rør, bøyning av plast eller varmekrymping av elektrisk isolasjon. |
| Navn | Beskrivelse | | |
|  1+2 3 4 5 | 5-i-1 skrapeverktøy P/N2366227 | Dette verktøyet har 5 funksjoner. Bladet brukes til å (1) skrape maling og (2) spre massen. Meiselpunktet (3) brukes til å fjerne kitt/kalk fra åpne sprekker. Det bøyde området (4) brukes til å rengjøre rulledeksler. Den flate siden (5) kan brukes til å åpne malingbokser. | |

VIKTIG: Bruk alltid hansker ved håndtering av varmpistolen.

For å feste et annet element på varmpistolen:

1. Plasser varmpistolen loddrett på et plant underlag og vent til spissen er avkjølt.
2. Sett elementet på spissen av varmpistolen og skyv fast på plass for hånd.

For å fjerne et annet element fra varmpistolen:

1. Plasser varmpistolen loddrett på et plant underlag og vent til spissen er avkjølt.
2. Trekk elementet av fra spissen.

Produktregistrering

Registrer produktet ditt på nettet på www.wagner-group.com/3plus1 for å kvalifisere deg til ytterligere 1 års garanti.

3+1 års garanti

Garantien løper i tre år, og starter fra salgsdatoen (kvitteringen). Garantien forlenges med ytterligere 12 måneder hvis en enhet registreres på nettet innen 4 uker etter kjøpet, på www.wagner-group.com/3plus1. Registrering er bare mulig når kjøperen er enig i dataene som lagres og som er lagt inn ved registrering. Garantien dekker og er begrenset til gratis reparasjon av feil som beviselig skyldes bruk av feil materialer ved produksjonen, eller feil ved monteringen, eller gratis erstatning av defekte deler. Garantien dekker ikke feil bruk eller utlevering eller utførelse av reparasjonsarbeid som ikke er angitt i våre bruksanvisninger. Slitedeler er også unntatt fra garantien. Garantien gjelder ikke for ervervsmessig bruk. Vi forbeholder oss uttrykkelig rett til å oppfylle garantien. Garantien opphører hvis verktøyet åpnes av andre personer enn Wagners servicepersonale. Transportskader, vedlikeholdsarbeid og tap og skader på grunn av feil vedlikeholdsarbeider er ikke dekket av garantien. Sammen med ethvert garantikrav må det følge kjøpskvittering for verktøyet ved innsending av originalkvittering. Der det er lovmessig mulig, unntar vi alt ansvar for personskader, skader eller følgetap, spesielt dersom verktøyet er brukt for andre formål enn det som er angitt i bruksanvisningene, utlevering eller reparasjon av annet enn det som står i bruksanvisningene eller hvis reparasjoner er utført av personer som ikke er kvalifisert. Vi forbeholder

oss retten til utføre alle reparasjoner som går utover det som er angitt i bruksanvisningene våre. Ved garanti eller reparasjon, ta kontakt med salgsstedet. Denne garantien påvirker ikke dine lovbestemte rettigheter.

INFORMASJON OM KASSASJON AV ELEKTRISK OG ELEKTRONISK UTSTYR (WEEE)

Vi gjør oppmerksom på nye direktiver som gjelder kassasjon av dette elektriske utstyret hvor dette produktet ikke skal kastes i husholdningsavfallet i henhold til lovgivningen. Det er ditt ansvar å kassere denne type avfall ved å levere det på spesielle innsamlingspunkter for gjenvinning og gjenbruk. Dette produktet er merket med et søppelkasse-symbol med et kryss for å minne om denne plikten. Formålet med dette direktivet er å bidra til å ta vare på ressurser og sikre at de resirkuleres på en måte som beskytter helse og miljø. For mer informasjon om hvor du kan levere avfallet, ta kontakt med lokale myndigheter, returpunkter er gratis.



CE samsvarserklæring

Dette produktet samsvarer med Lavspenningsdirektivet 2014/35/EU, EMC-direktiv 2014/30/EU, RoHS-direktiv 2011/65/EU og REACH-regulering 1907/2006.

DE J. WAGNER GMBH
Otto-Lilienthal-Str. 18
D-88677 Markdorf
T +49 0180 - 55 92 46 37
F +49 075 44 - 05 11 69

FR WAGNER FRANCE S.A.R.L.
12 Avenue des Tropiques
Z.A. de Courtaboeuf
F-91978 Les Ulis Cedex
T +33 0825 011 111
F +33 (0) 1 69 81 72 57

DK ORKLA HOUSE CARE DANMARK A/S
Stationsvej 13
3550 Slangerup
DK-Danmark
T +45 47 33 74 00
F +45 47 33 74 01

SE ORKLA HOUSE CARE AB
Box 133
564 23 Bankeryd
SV-Sweden
T +46(0)36 37 63 00

SK E-CORECO SK S.R.O.
Kráľovská ulica 8/7133
SK-927 01 Šaľa
T +42 1948882850
F +42 13 13700077

GB WAGNER SPRAYTECH (UK) LTD
Opus Park
Moorfield Road
Guildford, Surrey, GU1 15Z
T +44 (0) 1483 454666
F +44 (0) 1483 454548

NO ORKLA HOUSE CARE NORGE AS
Nedre Skøyen vei 26,
PO Box 423, Skøyen
N-0213 Oslo
T +47 22 54 40 19

RO ROMIB S.R.L.
str. Poligonului nr. 5 - 7
ROM-100070 Ploiesti, judet Prahova
T +40-344801240
F +40-344801239

CZ E-CORECO S.R.O.
Na Roudné 102
CZ-301 00 Plzeň
T +42 734 792 823
F +42 227 077 364

HU HONDIMPEX KFT.
Kossuth L. u. 48-50
H-8060 Mór
T +36 (-22) - 407 321
F +36 (-22) - 407 852

PL PUT WAGNER SERVICE
ul. E. Imieli 27
PL-41-605 Swietochlowice
T +48 32 - 346 37 10
F +48 32 - 346 37 13

CH J. WAGNER AG
Industriestraße 22
CH-9450 Altstätten
T +41 71 - 7 57 22 11
F +41 71 - 7 57 23 23

AU WAGNER SPRAYTECH AUSTRALIA PTY. LTD.,
14-16 Kevlar Close
AUS-Braeside, VIC 3195
T +61 3 95 87 - 20 00
F +61 3 95 80 - 91 20

ES MAKIMPORT HERRAMIENTAS, S.L.
C/ Méjico nº 6
Pol. El Descubrimiento
E-28806 Alcalá de Henares
(Madrid)
T 902 199 021 / 91 879 72 00
F 91 883 19 59

Irrtümer und Änderungen vorbehalten.
Not responsible for errors and changes.
Sous réserves d'erreurs et de modifications.
Fouten en wijzigingen voorbehouden.

Material No. 2369359
06/2016
© Copyright by J.Wagner GmbH