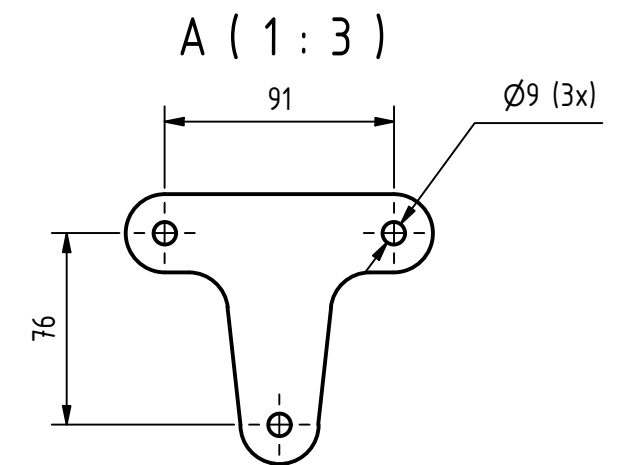
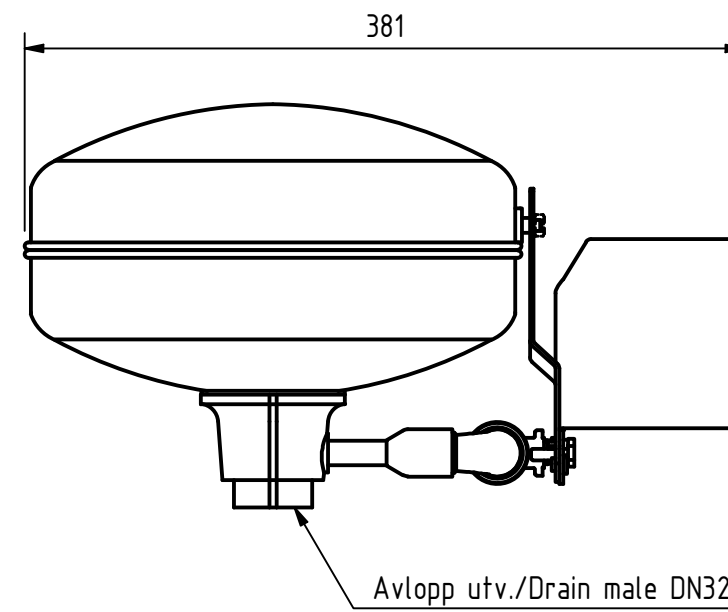
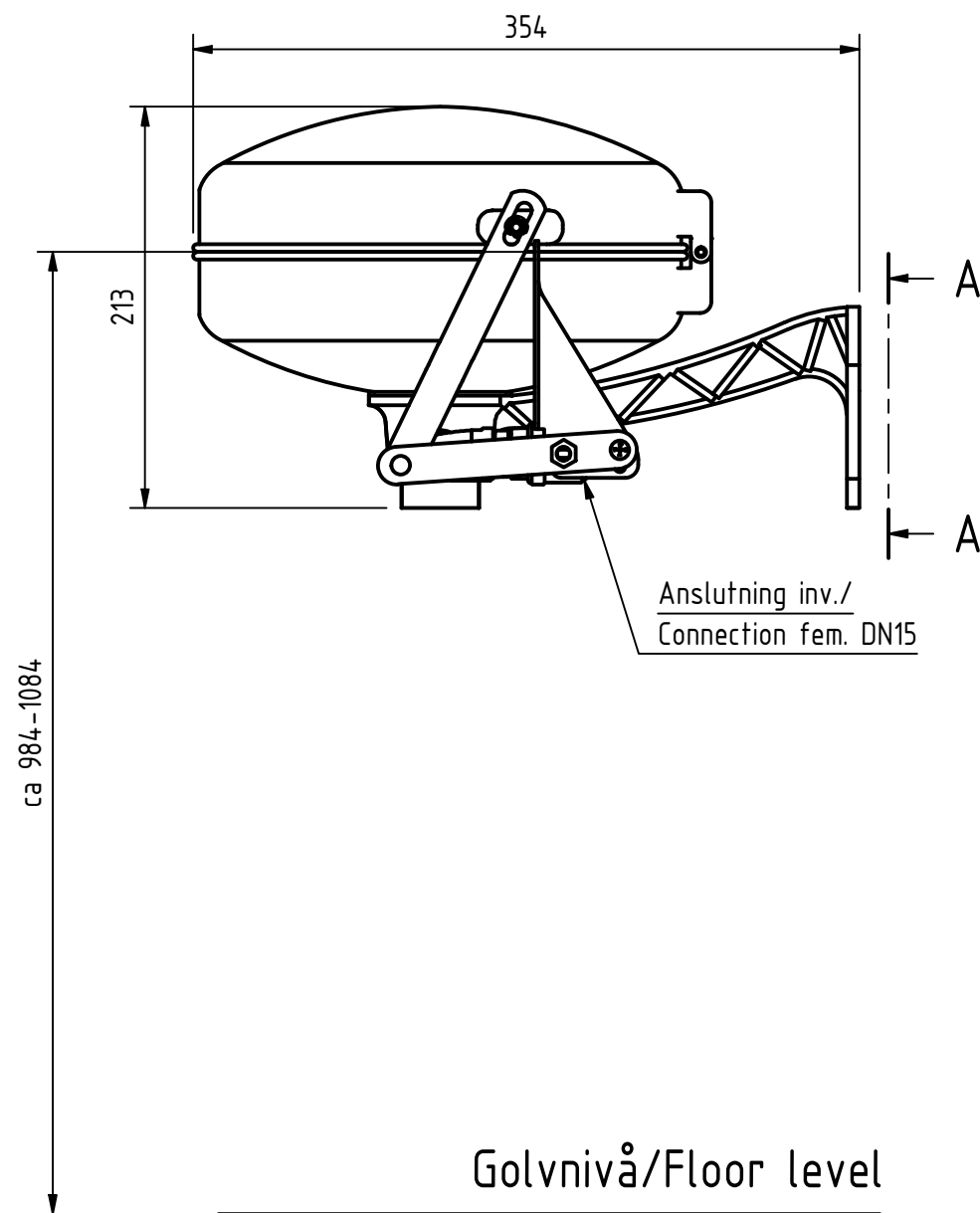




Min flow: 20 l/min

For 7923641 min flow: 10 lit/min



7923639

7923641